

**9000SL
9000XT
9000XDT
9000XT Recliner**

Wheelchairs



Yes, you can.

Parts Catalog Usage Guide

The information contained in this document is subject to change without notice. This catalog contains service parts for Form No. 95-137. If you have any questions regarding this catalog, please contact one of our Customer Service Representatives.

For Customer Service Support Call:

1-800-333-6900

For Faxed In Orders Call:

1-800-678-4682 or

1-440-366-0709

For Technical Service Call:

1-800-832-4707

Literature Can Be Found at:

www.invacare.com or

1-800-828-6272

SYMBOL DEFINITION

Throughout this catalog you will notice letters to draw your attention to specific footnotes which are located at the bottom of the page or below specified charts.

Examples:

A,B,C etc. = Special Comments

NOTE: = General information pertaining to that specific page

NLA = No Longer Available

HARDWARE MEASUREMENTS

The measurements for the hardware will be listed as follows:

Screws, Bolts Diameter X Thread Count/Pitch X Length

Washers Inside Diameter X Outside Diameter X Thickness

Spacers Inside Diameter X Outside Diameter X Length

For your convenience, we have supplied an area for you to list your Invacare Representatives.

Name	Phone Numbers

© 2022 Invacare and the Medallion Design and Yes, you can. are registered trademarks.

TABLE of CONTENTS

Description	Page Number
Arms - Conventional Adjustable Height - 9000XDT & 9000XT Recliner - 19JY & 29JY	59
Arms - Conventional Adjustable Height - Non-Removable - 9000SL	63
Arms - Conventional Adjustable Height - Non-Removable - 9000XT - 9000XDT & 9000XT Recliner	83
Arms - Conventional Adjustable Height - Removable - 9000SL	67
Arms - Conventional Adjustable Height - Removable - 9000XT & 9000XDT	71
Arms - Conventional Adjustable Height - Removable - 9000XT Recliner	77
Arms - Conventional Fixed Height - Removable - 9000XDT	94
Arms - Conventional Fixed Height - Removable - 9000XT	90
Arms - Conventional Fixed Height - Removable - 9000XT Recliner	97
Arms - Space Saver Adjustable Height - 9000SL	118
Arms - Space Saver Adjustable Height - 9000XT - 79JY & 89JY	114
Arms - Space Saver Adjustable Height - Non-Removable - 9000XT & 9000XDT	128
Arms - Space Saver Adjustable Height - Removable - 9000XT & 9000XDT	122
Arms - Space Saver Fixed Height - Non-Removable - 9000SL	104
Arms - Space Saver Fixed Height - Non-Removable - 9000XT & 9000XDT	107
Arms - Space Saver Fixed Height - Removable - 9000XT, 9000XDT	100
Canes - Back - Extended w/ Grip & Hardware - 9000SL w/ Adjustable Angle Back Option & 9000XT	33
Canes - Back - Standard w/ Grip - 9000SL	35
Canes - Back - Standard w/ Grip & Hardware - 9000SL w/ Adjustable Angle Back Option - 9000XT or 9000XDT	30
Canes - Back & Hardware - 9000XT Recliner	37
Casters - Front and Mounting Hardware	141

TABLE of CONTENTS

Description	Page Number
Crossbraces & Crossbrace Hardware	25
Crossbraces & Crossbrace Hardware - 9000SL (Before 7/12/99)	23
Forks & Hardware - 9000SL - 9000XT - 9000XT Recliner	137
Forks & Hardware - 9000XDT - Adult/Hemi and Tall	139
Frame Finishes, Upholstery Colors, Decals, Literature & Packaging	6
Frames - Side	9
Frames - Side - Hardware - 9000SL	12
Frames - Side - Hardware - 9000XT & 9000XDT	15
Frames - Side - Hardware - 9000XT Recliner	17
Front Riggings - Adjustable Angle Footplate Assemblies - AT5543	273
Front Riggings - Calf Pads	251
Front Riggings - Footrest & Legrest Accessories	277
Front Riggings - Footrest Supports - GT93H Series	228
Front Riggings - Footrest Supports - H903, T943A/C/S	210
Front Riggings - Footrest Supports - H93E	219
Front Riggings - Footrest Supports - H93M & H93M with FPP	221
Front Riggings - Footrest Supports - SH93ES, SH93E	216
Front Riggings - Footrest Supports - T93H Series After 5/15/19	226
Front Riggings - Footrest Supports - T93H Series Before 5/16/19	223
Front Riggings - Footrest Supports - T963A/C/S	213
Front Riggings - Footrest Supports - TH93A, TH93C, TH93S	230

TABLE of CONTENTS

Description	Page Number
Front Riggings - Index - Pivot/Slide Tube w/ Footplates	201
Front Riggings - Index - Upper Support Assembly	198
Front Riggings - Legrest Supports - AHS4, AHL4	238
Front Riggings - Legrest Supports - GT94H Series	249
Front Riggings - Legrest Supports - H904, T944A/C	235
Front Riggings - Legrest Supports - SH904MS, SH904M	232
Front Riggings - Legrest Supports - T94H Series After 5/15/19	247
Front Riggings - Legrest Supports - T94H Series Before 5/16/19	244
Front Riggings - Legrest Supports - TH94	241
Front Riggings - Pivot/Slide Tube with Footplate - AHS4 - AHL4 Legrests	252
Front Riggings - Pivot/Slide Tube with Footplate - GT93H and T93H Series Footrest	265
Front Riggings - Pivot/Slide Tube with Footplate - GT94H and T94H Series Legrest	269
Front Riggings - Pivot/Slide Tube with Footplate - H903 - T943A/C/S - T963A/C - SH93ES - SH93E - TH93A Footrest	254
Front Riggings - Pivot/Slide Tube with Footplate - H903 - T943A/C/S - T963A/C/S - TH93A/C/S Tubular Footrest	257
Front Riggings - Pivot/Slide Tube with Footplate - H93E - H93M - H93M with FPP - Footrests	259
Front Riggings - Pivot/Slide Tube with Footplate - SH904MS - SH904M - H904 - T944A/C - TH94A/S Legrest	262
Headtube Hardware - Adjustable - 9000XT Option Only - ADJC & ADJCPB	135
Offset Axle with Hardware	144
Seat Extension Kits	19
Upholstery - Back - Adjustable Tension	48
Upholstery - Back & Hardware - 9000SL - XT - XDT	42

TABLE of CONTENTS

Description	Page Number
Upholstery - Back & Hardware - 9000XT Recliner	46
Upholstery - Headrest & Pillow	57
Upholstery - Seat & Hardware	49
Wheel Locks -9RC-Attendant Operated Style, STD, Conv'. Arm	177
Wheel Locks -9RC-Hill Holder Style, 9697R, w/ Conventional Arms	181
Wheel Locks -9RC-Patient Operated Style, 9696R/1245, w/ Conventional Arms	179
Wheel Locks -9XT/9SL-Hill Holder Style, 9695, w/ Conventional Arms	183
Wheel Locks -9XT/9SL-Hill Holder Style, 9695, w/ Space Saver Arms	185
Wheel Locks -9XT/9XDT/9SL-Disk Style, w/ Conventional or Space Saver Arms	195
Wheel Locks -9XT/9XDT/9SL-Link-Pivot Style, w/ Conventional Arms	189
Wheel Locks -9XT/9XDT/9SL-Link-Pivot Style, w/ Space Saver Arms	191
Wheel Locks -9XT-Clamp-On High Mount Style, w/ Conventional Arms	187
Wheel Locks -9XTP-Link-Pivot Style, w/ Space Saver Arms - Canada Only	193
Wheels - Non-Projection Handrims - Attaching Hardware	172
Wheels - Non-Projection Handrims and Attaching Hardware	166
Wheels - Projection Handrims - Attaching Hardware	175
Wheels - Projection Handrims and Attaching Hardware	174
Wheels - Rear	154
Wheels - Rear - 20-6 & 22-6 Wheel Options - Aluminum Black Anodized Handrim	146
Wheels - Rear - Hardware	152
Wheels - Rear & Handrim Assemblies	158

Frame Finishes, Upholstery Colors, Decals, Literature and Packaging

Frame Finishes

Color Number	Color	Touch-Up Paint Part Number	Chair Style
08P	Deep Purple	1031456-NLA	XT, SL
15P	Chrome	N/A	SL, XT, XDT, Recliner
17P	Cobalt Blue	1046319-NLA	XT, XDT, Recliner
24P	Wet Black	1031450-NLA	SL, XT, XDT, Recliner
34P	Flat Black	N/A	SL, XT, XDT, Recliner
61P	Electric Red	1046321-NLA	XT, XDT, Recliner
62P	Electric Blue	1046320-NLA	XT
71P	Silver Vein	N/A	SL, XT, XDT, Recliner
105P	Midnight Blue	N/A	XT

Upholstery Color Options - Nylon & Sail Cloth

Chair Style	Color Number	Description
9000SL, 9000XT, 9000XDT, 9000XT Recliner	U240	Nylon - Black
9000XT, 9000XDT, 9000XT Recliner	U245	Sail Cloth - Black

Frame Finishes, Upholstery Colors, Decals, Literature and Packaging

Upholstery Color Options - Vinyl

Chair Style	Color Number	Description
9000SL, 9000XT, 9000XDT, 9000XT Recliner	U67	Black
9000XT Recliner	U75	Dove Grey
9000XT, 9000XDT	U85	Dark Blue
9000XT Recliner	U86	Ruby Red
9000XT, 9000XDT, 9000XT Recliner	U88	Camel
9000XT Recliner	U550	Midnight Blue

Decals

Chair Style	Part Number	Quantity
9000SL	1101535-NLA	1
9000XT & 9000XT Recliner	1101536	1
9000XDT	1101537	1

Literature

Part Number	Description
1056953-NLA	9000 Series Owner's Manual
1052754-NLA	NLA - Instruction Sheet, Patient Operated Wheel Lock
1122146	Instruction Sheet, 9662L Folding Seat

Frame Finishes, Upholstery Colors, Decals, Literature and Packaging

Packaging

Chair Style	Part Number	Quantity Per Assembly
9000SL - Adult w/15-17" Back Height - Hemi w/15-17" Back Height - Hemi w/17-19" Back Height	1112314	1
9000SL -Adult w/17-19" Back Height	1112315	1
9000XDT w/16-18" Seat Depth	1120099	1
9000XDT w/19-20" Seat Depth or Tall models	1059358	1
9000XT	1112314	1
9000XT Recliner	1076848	1

Frames without Hardware

9000SL

Chair Style	Side	Chrome Part Number	Flat Black - 34P Part Number	Color Part Number
Adult/Hemi Before 7/12/99	Right	1056598-NLA	1066267-NLA	8881066269-NLA See Note(s) A, C
Adult/Hemi Before 7/12/99	Left	1056599-NLA	1066268-NLA	8881066270-NLA See Note(s) A, C
Adult/Hemi After 7/11/99	Right	1091096-NLA See Note(s) C1, C	1091098 See Note(s) C1, C	8881091100 See Note(s) A, C1, C
Adult/Hemi After 7/11/99	Left	1091097-NLA See Note(s) C1, C	1091099 See Note(s) C1, C	8881091101 See Note(s) A, C1, C
Adjustable Angle Back	Right	1063910-NLA See Note(s) C1, C, B	1064774 See Note(s) C1, C, B	8881063917 See Note(s) A, C1, B, C
Adjustable Angle Back	Left	1063911-NLA See Note(s) C1, C, B	1064775 See Note(s) C1, B, C	8881063918 See Note(s) A, C1, C, B

NOTE: A - Specify frame finish when ordering, see category titled, "Frame Finishes, Upholstery Colors, Decals and Packaging."
 B - Adjustable angle back frame is only available with adjustable height conventional style arms. Adjustable angle back frames are the same regardless of the chair's seat-to-floor height. All frames include caster headtube and bearings.
 C - Hinge Pin Replacement Hardware Kit Located on Frame Hardware page is used on Side Frames w/ welded-on Hinge Pins manufactured before 4/12/13. Side Frames after 4/11/13 have Hinge Pin Saddle Plates w/ square holes to attach REMOVABLE Non-Welded Hinge Pins.
 C1 - All Side Frames ordered after 4/11/13 require new Side Frame Hardware that will include the removable Hinge Pins also. Removable Hinge Pins are not sold separately.

NOTE: When ordering frames for chairs built before 10/3/97, both left and right side frames must be ordered due to a style change.

9000XT

Chair Style	Side	Chrome Part Number	Flat Black - 34P	Flat Black - 34P	Color Part Number	Color Part Number
			Part Number Before 10/12/16	Part Number After 10/11/16		
Adult/Hemi/ Super Hemi	Right	1056981-NLA See Note(s) B, B1	1056977 See Note(s) B, B1	1194284 See Note(s) B, B1	8881056979 See Note(s) B1, B, A	8881194283 See Note(s) B1, A, B
Adult/Hemi/ Super Hemi	Left	1056982-NLA See Note(s) B1, B	1056978 See Note(s) B1, B	1194276 See Note(s) B1, B	8881056980 See Note(s) B, B1, A	8881194279 See Note(s) B, B1, A
Adult/Hemi/ Super Hemi with Optional Headtube	Right	1091106-NLA See Note(s) B1, B	1091108 See Note(s) B1, B	1091108 See Note(s) B1, B	8881091070 See Note(s) B1, B, A	N/A
Adult/Hemi/ Super Hemi with Optional Headtube	Left	1091107-NLA See Note(s) B1, B	1091109 See Note(s) B1, B	1091109 See Note(s) B1, B	8881091071 See Note(s) B, A, B1	NA
Super Low 16-17" Deep	Right	1063167-NLA See Note(s) B1, B	1063163 See Note(s) B1, B	1063163 See Note(s) B1, B	8881063165 See Note(s) B1, A, B	8881194263 See Note(s) B1, B, A
Super Low 16-17" Deep	Left	1063168-NLA See Note(s) B, B1	1063164 See Note(s) B, B1	1063164 See Note(s) B1, B	8881063166 See Note(s) B1, B, A	8881194260 See Note(s) B1, A, B
Super Low 18" Deep	Right	1079219-NLA See Note(s) B, B1	1079221 See Note(s) B1, B	1079221 See Note(s) B1, B	8881079223 See Note(s) B1, A, B	8881194302 See Note(s) B, A, B1

Frames without Hardware

9000XT

Chair Style	Side	Chrome Part Number	Flat Black - 34P		Color Part Number	
			Part Number Before 10/12/16	Part Number After 10/11/16	Part Number Before 10/12/16	Part Number After 10/11/16
Super Low 18" Deep	Left	1079220-NLA See Note(s) B1, B	1079222 See Note(s) B1, B	1079222 See Note(s) B1, B	8881079224 See Note(s) B1, B, A	8881194290 See Note(s) B1, B, A
Adjustable Angle Back	Right	1063910-NLA See Note(s) B1, B	1064774 See Note(s) B1, B	1064774 See Note(s) B1, B	8881063917 See Note(s) B1, B, A	8881194259 See Note(s) B1, B, A
Adjustable Angle Back	Left	1063911-NLA See Note(s) B1, B	1064775 See Note(s) B1, B	1064775 See Note(s) B1, B	8881063918 See Note(s) B1, A, B	8881194257 See Note(s) B, B1, A
<p>NOTE: A - Specify frame finish when ordering, see category titled, "Frame Finishes, Upholstery Colors, Decals and Packaging." B - Hinge Pin Replacement Hardware Kit Located on Frame Hardware page is used on Side Frames w/ welded-on Hinge Pins manufactured before 4/12/13. Side Frames after 4/11/13 have Hinge Pin Saddle Plates w/ square holes to attach REMOVABLE Non-Welded Hinge Pins. B1 - All Side Frames ordered after 4/11/13 require new Side Frame Hardware that will include the removable Hinge Pins also. Removable Hinge Pins are not sold separately.</p> <p>NOTE: When ordering frames for chairs built before 10/3/97, both left and right side frames must be ordered due to a style change.</p>						

Frames without Hardware

9000XT Recliner

Chair Style	Side	Chrome Part Number	Flat Black - 34P Part Number	Color Part Number Before 10/12/16	Color Part Number After 10/11/16
With Out Lift Kit	Right	1072058-NLA See Note(s) B, B1	1072054 See Note(s) B, B1	8881072056 See Note(s) A, B, B1	8881194341 See Note(s) B, B1, A
With Out Lift Kit	Left	1072059-NLA See Note(s) B, B1	1072055 See Note(s) B1, B	8881072057 See Note(s) B, A, B1	8881194334 See Note(s) B1, A, B
With Lift Kit	Right	1074637-NLA	1074633 See Note(s) B, B1	8881074635 See Note(s) B1, B, A	8881194342 See Note(s) A, B1, B
With Lift Kit	Left	1074638-NLA See Note(s) B, B1	1074634 See Note(s) B, B1	8881074636 See Note(s) B1, B, A	8881194305 See Note(s) A, B1, B

NOTE: A - Specify frame finish when ordering, see category titled, "Frame Finishes, Upholstery Colors, Decals and Packaging."
 B - Hinge Pin Replacement Hardware Kit Located on Frame Hardware page is only used on Side Frames w/ welded-on Hinge Pins manufactured before 4/12/13. Side Frames after 4/11/13 have Hinge Pin Saddle Plates w/ square holes to attach REMOVABLE Non-Welded Hinge
 B1 - All Side Frames ordered after 4/11/13 require new Side Frame Hardware that will include the removable Hinge Pins also. Removable Hinge Pins are not sold separately.

NOTE: When ordering frames for chairs built before 10/3/97, both left and right side frames must be ordered due to a style change.

9000XDT

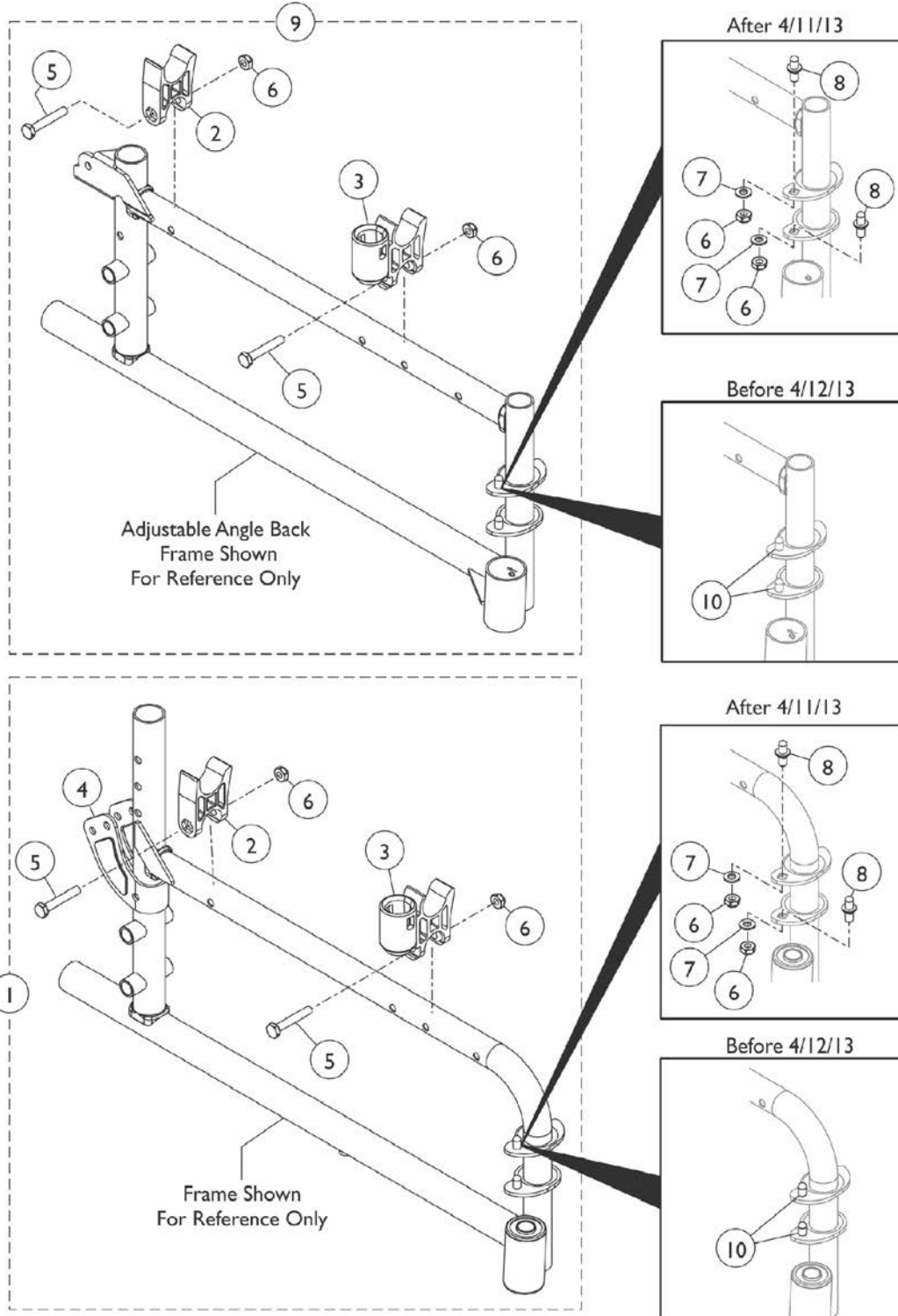
Chair Style	Side	Chrome Part Number	Flat Black - 34P Part Number	Color Part Number
Adult/Hemi 16-18" Deep	Right	1074886-NLA See Note(s) B1, B	1074888 See Note(s) B, B1	8881074890 See Note(s) B1, A, B
Adult/Hemi 16-18" Deep	Left	1074887-NLA See Note(s) B1, B	1074889 See Note(s) B1, B	8881074891 See Note(s) B1, B, A
Adult/Hemi 19-20" Deep	Right	1074892-NLA See Note(s) B1, B	1074894 See Note(s) B1, B	8881074896 See Note(s) B1, B, A
Adult/Hemi 19-20" Deep	Left	1074893-NLA See Note(s) B1, B	1074895 See Note(s) B1, B	8881074897 See Note(s) B1, B, A
Tall 16-18" Deep	Right	1074898-NLA See Note(s) B1, B	1074900 See Note(s) B1, B	8881074902 See Note(s) B1, B, A
Tall 16-18" Deep	Left	1074899-NLA See Note(s) B1, B	1074901 See Note(s) B1, B	8881074903 See Note(s) B1, B, A
Tall 19-20" Deep	Right	1074904-NLA See Note(s) B, B1	1074906 See Note(s) B1, B	8881074908 See Note(s) B, B1, A
Tall 19-20" Deep	Left	1074905-NLA See Note(s) B1, B	1074907 See Note(s) B1, B	8881074909 See Note(s) B1, B, A

NOTE: A - Specify frame finish when ordering, see category titled, "Frame Finishes, Upholstery Colors, Decals and Packaging."
 B - Hinge Pin Replacement Hardware Kit Located on Frame Hardware page is only used on Side Frames w/ welded-on Hinge Pins manufactured before 4/12/13. Side Frames after 4/11/13 have Hinge Pin Saddle Plates w/ square holes to attach REMOVABLE Non-Welded Hinge
 B1 - All Side Frames ordered after 4/11/13 require new Side Frame Hardware that will include the removable Hinge Pins also. Removable Hinge Pins are not sold separately.

NOTE: When ordering frames for chairs built before 10/3/97, both left and right side frames must be ordered due to a style change.

NOTE: When ordering replacement frames for a previous special frame modification, please contact an Invacare Parts Specialist at 1-800-333-6900 extension 3722.

Frame Hardware - 9000SL



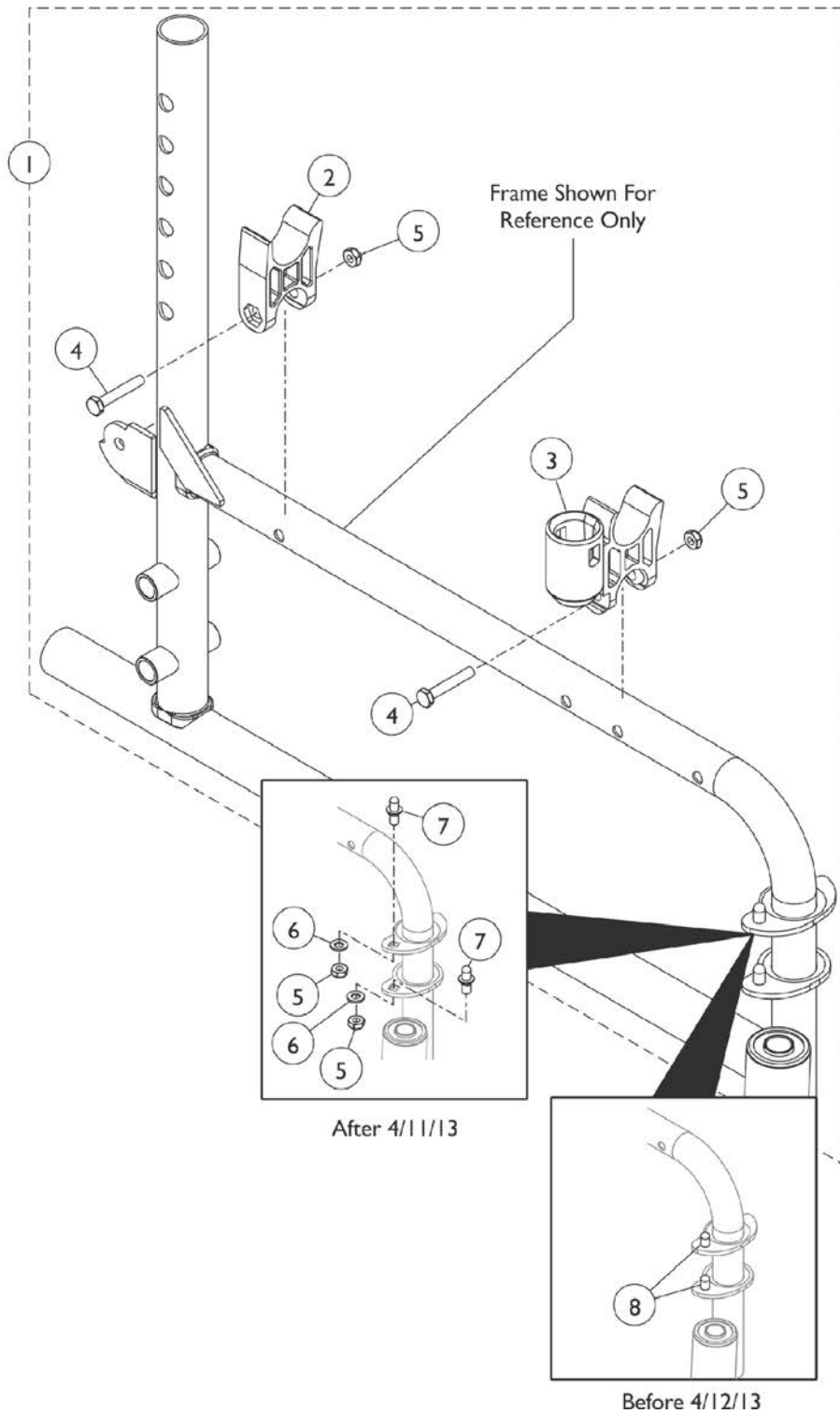
Frame Hardware - 9000SL

Item Number	Note	Part Number	Description	Quantity Per	
				Package	Assembly
1	A	1091104-NLA	NLA - Kit, Side Frame Hardware, Chrome, (Pair)	1	1
2			H-Block	1	2
3			H-Block with Socket Cup	1	2
4			NLA - Bracket, Armrest, Chrome	1	2
5			Screw, Hex Head (1/4-20 x 1-1/2")	1	2
6			Locknut (1/4-20)	1	2
1	I	1091105	Kit, Side Frame Hardware, Black, (Pair)	1	1
2			H-Block	1	2
3			H-Block with Socket Cup	1	2
4			Bracket, Armrest, Black	1	2
5			Screw, Hex Head (1/4-20 x 1-1/2")	1	4
6			Locknut (1/4-20)	1	4
7			Washer, Plain (1/4 x 1/2 x 9/16")	1	4
8			Pin, Hinge	1	4
9	B	1121091	Kit, Side Frame Hardware (Pair)	1	1
2			H-Block	1	2
3			H-Block with Socket Cup	1	2
5			Screw, Hex Head (1/4-20 x 1-1/2")	1	4
6			Locknut (1/4-20)	1	4
7			Washer, Plain (1/4 x 1/2 x 9/16")	1	4
8			Pin, Hinge	1	4
2	G	1107805	H-Block	1	2
3		1109938	H-Block with Socket Cup	1	2
4	F	1056110-NLA	NLA - Bracket, Armrest, Chrome	1	2
4	F	1066261	Bracket, Armrest, Black	1	2
5		16720X004	Screw, Hex Head (1/4-20 x 1-1/2")	1	4
6		60275X000	Locknut (1/4-20)	1	4
10	J,J1	1096781	Kit, Hinge Pin Replacement Hardware (Pair)	1	1
			NLA - Wrench, Allen (3/32")	1	1
			Cap, Threaded	1	4
			Washer, Locking Split (#10)	1	4
			Screw, Socket Button Head Cap, Regulator (8-32 x 3/8")	1	4
	C,D	1058139	Kit, Armrest Hardware	1	1
			Locknut (1/4-20)	1	1
			Cup, Socket Pivot	1	1
			NLA - Screw, Hex Head (1/4-20 x 1-3/8")	1	1
	C,E	1091072	Hardware, Armrest	1	1
			Spacer, Coved (1/4 x 3/4 x 11/32")	1	4
			NLA - Screw, Socket Button Head (1/4-20 x 1-7/16")	1	2
			Screw, Hex Head (1/4-20 x 1-1/2")	1	4
			Locknut (1/4-20)	1	6

Frame Hardware - 9000SL

NOTE: A - Includes items 2 - 6.
B - To be used on 9000SL with Adjustable Angle Back. Includes items 2, 3 and 5 - 8.
C - Not Shown
D - To be used on Conventional Style Arms.
E - To be used on Space Saver Arms.
F - For attaching hardware, see category titled, "Back Canes and Hardware."
G - Due to design change, H-Blocks should be ordered in pairs for chairs built before 6/1/02.
I - Includes items 2 - 8. Hardware is used for color Side Frames also.
J - Hinge Pin Replacement Hardware Kit is only used on Side Frames w/ welded-on Hinge Pins manufactured before 4/12/13. Side Frames after 4/11/13 have Hinge Pin Saddle Plates w/ square holes to attach REMOVABLE Non-Welded Hinge Pins.
J1 - Side Frames ordered after 4/11/13 require new Side Frame Hardware that will include the removable Hinge Pins also. Removable Hinge Pins are not sold separately.

Frame Hardware - 9000XT & 9000XDT

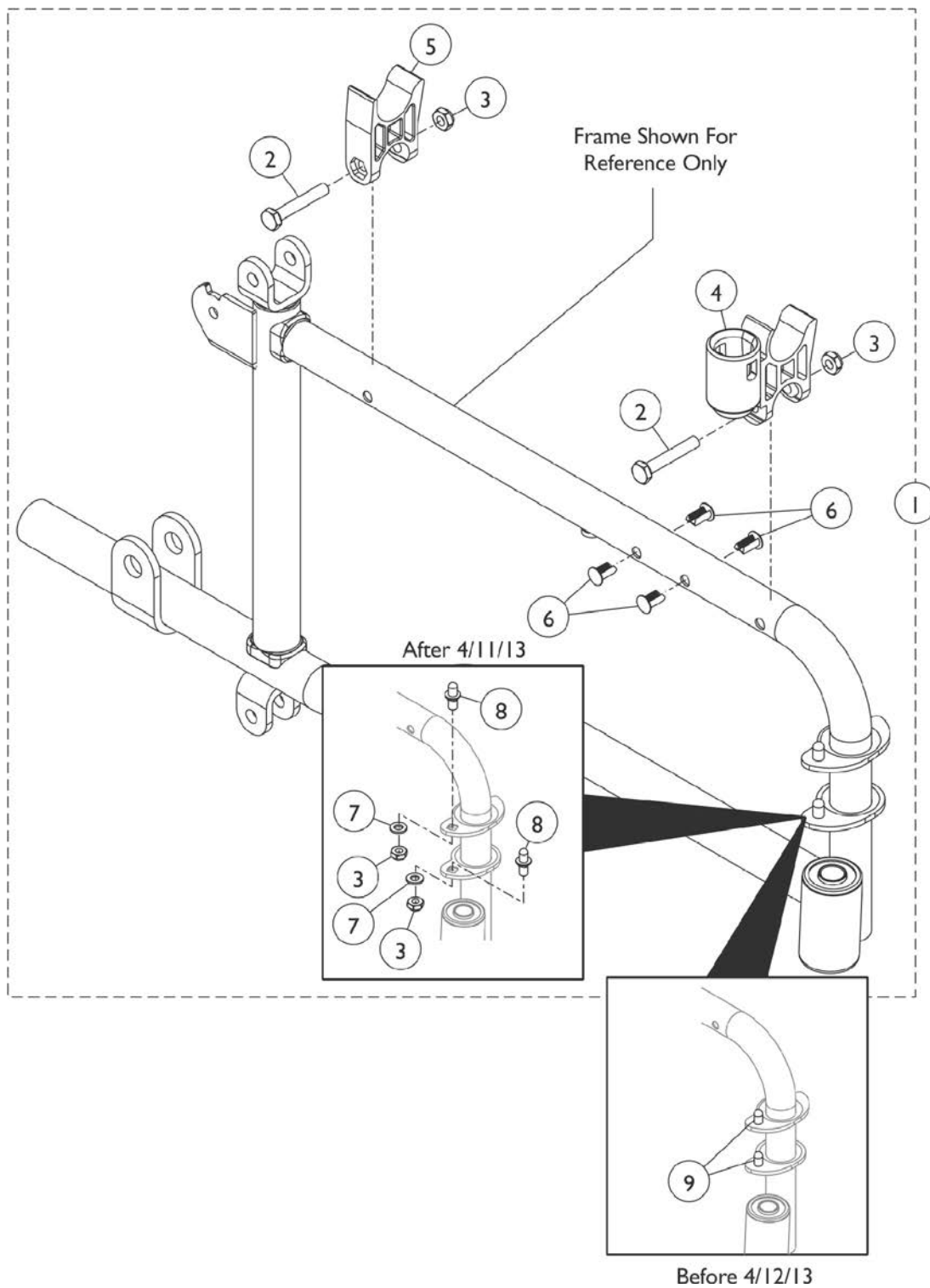


Frame Hardware - 9000XT & 9000XDT

Item Number	Note	Part Number	Description	Quantity Per	
				Package	Assembly
1	A	1121091	Kit, Side Frame Hardware (Pair)	1	1
2			H-Block	1	2
3			H-Block with Socket Cup	1	2
4			Screw, Hex Head (1/4-20 x 1-1/2")	1	4
5			Locknut (1/4-20)	1	4
6			Washer, Plain (1/4 x 1/2 x 9/16")	1	4
7			Pin, Hinge	1	4
2		1107805	H-Block	1	2
3		1109938	H-Block with Socket Cup	1	2
4		16720X004	Screw, Hex Head (1/4-20 x 1-1/2")	1	4
5		60275X000	Locknut (1/4-20)	1	4
8	C,C1	1096781	Kit, Hinge Pin Replacement Hardware (Pair)	1	1
			NLA - Wrench, Allen (3/32")	1	1
			Cap, Threaded	1	4
			Washer, Locking Split (#10)	1	4
			Screw, Socket Button Head Cap, Regulator (8-32 x 3/8")	1	4
	B	1058139	Kit, Armrest Hardware	1	1
			Cup, Socket Pivot	1	1
			NLA - Screw, Hex Head (1/4-20 x 1-3/8")	1	1
			Locknut (1/4-20)	1	1

NOTE: A - Includes items 2 - 7. Hardware is used for color Side Frames also.
 B - Not Shown.
 C - Hinge Pin Replacement Hardware Kit is only used on Side Frames w/ welded-on Hinge Pins manufactured before 4/12/13. Side Frames after 4/11/13 have Hinge Pin Saddle Plates w/ square holes to attach REMOVABLE Non-Welded Hinge Pins.
 C1 - Side Frames ordered after 4/11/13 require new Side Frame Hardware that will include the removable Hinge Pins also. Removable Hinge Pins are not sold separately.

Frame Hardware - 9000XT Recliner

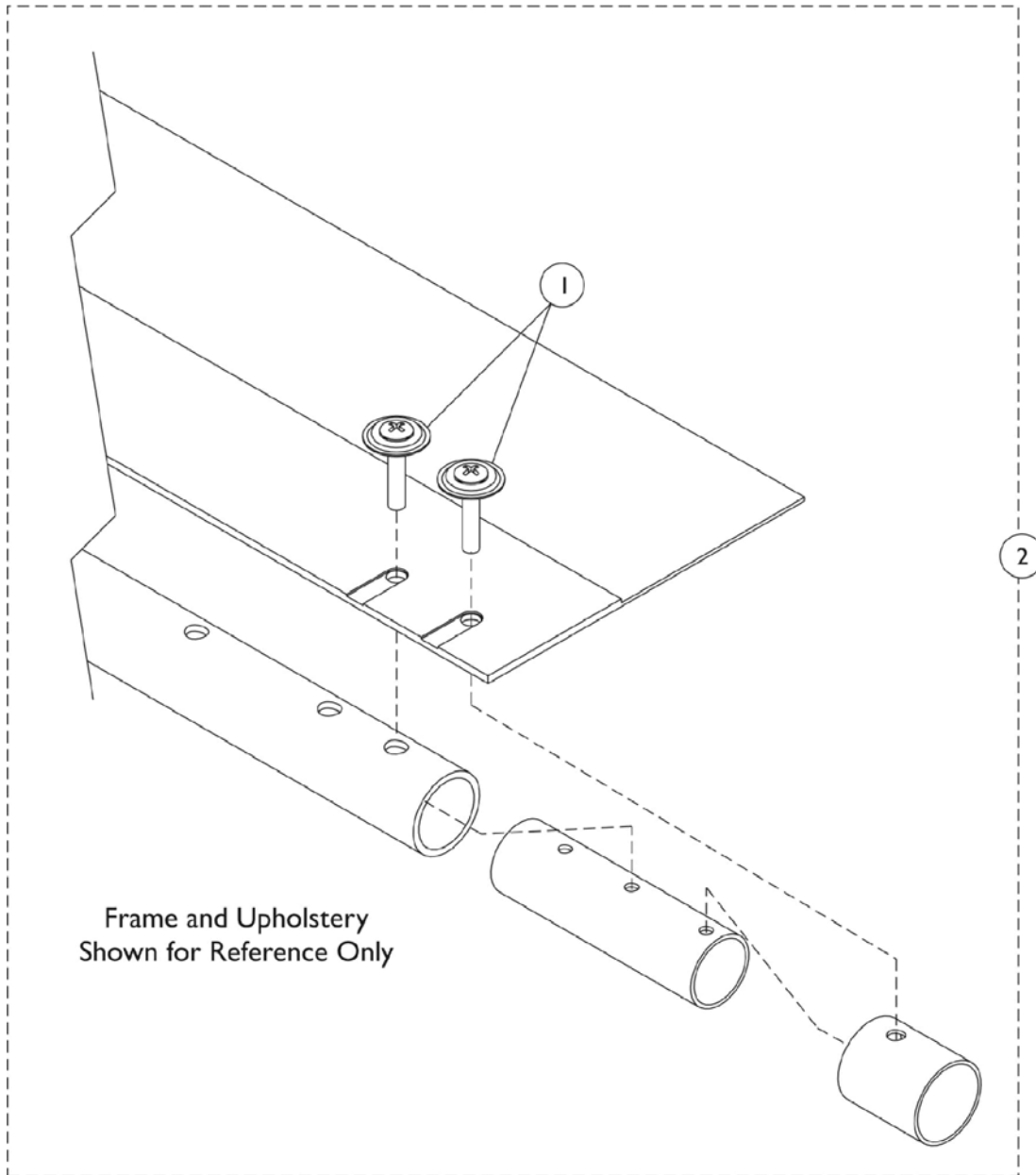


Frame Hardware - 9000XT Recliner

Item Number	Note	Part Number	Description	Quantity Per	
				Package	Assembly
1	A	1074659	Kit, Side Frame Hardware, (Pair)	1	1
2			Screw, Hex Head (1/4-20 x 1-1/2")	1	4
3			Locknut (1/4-20)	1	8
4			H-Block with Socket Cup	1	2
5			H-Block	1	2
6			NLA - Rivet, Ratchet	1	8
7			Washer, Plain (1/4 x 1/2 x 9/16")	1	4
8			Pin, Hinge	1	4
2	C,C1	16720X004	Screw, Hex Head (1/4-20 x 1-1/2")	1	4
3		60275X000	Locknut (1/4-20)	1	4
4		1109938	H-Block with Socket Cup	1	2
5		1107805	H-Block	1	2
6		1023450-NLA	NLA - Rivet, Ratchet	1	4
9		1096781	Kit, Hinge Pin Replacement Hardware (Pair)	4	1
			NLA - Wrench, Allen (3/32")	1	1
			Cap, Threaded	1	4
			Washer, Locking Split (#10)	1	4
			Screw, Socket Button Head Cap, Regulator (8-32 x 3/8")	1	4
	B	1058139	Kit, Armrest Hardware	1	1
			Cup, Socket Pivot	1	1
			NLA - Screw, Hex Head (1/4-20 x 1-3/8")	1	1
			Locknut (1/4-20)	1	1

NOTE: A - Includes items 2 - 8.
 B - Not Shown.
 C - Hinge Pin Replacement Hardware Kit is only used on Side Frames w/ welded-on Hinge Pins manufactured before 4/12/13. Side Frames after 4/11/13 have Hinge Pin Saddle Plates w/ square holes to attach REMOVABLE Non-Welded Hinge Pins.
 C1 - Side Frames ordered after 4/11/13 require new Side Frame Hardware that will include the removable Hinge Pins also. Removable Hinge Pins are not sold separately.

Seat Extension Kits



Seat Extension Kits

Item Number	Note	Part Number	Description	Quantity Per	
				Package	Assembly
1		1041541	Package, Screw Phillips Csunk Oval Head w/ Washer (#10-16 x 7/8") (12 ea.)	1	4
2		See Chart	Seat Extension Kits - 9000SL	1	1
2		See Chart	Seat Extension Kits - 9000XT	1	1
2		See Chart	Seat Extension Kits - 9000XT Recliner	1	1
2		See Chart	Seat Extension Kits - 9000XDT	1	1
3		1029501	Plug Button, Black (1")	1	2

9000 SL

Chair Style	Part Number	Description
For chairs built between 11/4/96 - 6/16/02	1038539	Seat Extension Kit (2")
For chairs built after 6/17/02	1112794	Seat Extension Kit (2")

NOTE: Standard crossbrace seat depth is 16 inches. Seat depths of 17" and 18" are achieved by the Seat Extension tubes.

9000 XT

Chair Size	Part Number	Description
14" Wide x 17" Deep	1035970	Seat Extension Kit (1")
14" Wide x 18" Deep	1035971	Seat Extension Kit (2")
15" Wide x 17" Deep	1035970	Seat Extension Kit (1")
15" Wide x 18" Deep	1035971	Seat Extension Kit (2")
16" Wide x 17" Deep	1035970	Seat Extension Kit (1")
16" Wide x 18" Deep	1035971	Seat Extension Kit (2")
17" Wide x 17" Deep	1035970	Seat Extension Kit (1")
17" Wide x 18" Deep	1035971	Seat Extension Kit (2")
18" Wide x 17" Deep	1035970	Seat Extension Kit (1")
18" Wide x 18" Deep	1035971	Seat Extension Kit (2")
19" Wide x 17" Deep	1038538 See Note(s) A	Seat Extension Kit (1")
19" Wide x 17" Deep	1118272 See Note(s) B	Seat Extension Kit (1")
19" Wide x 18" Deep	1038539 See Note(s) A	Seat Extension Kit (2")
19" Wide x 18" Deep	1112794 See Note(s) B	Seat Extension Kit (2")
20" Wide x 17" Deep	1038538 See Note(s) A	Seat Extension Kit (1")

Seat Extension Kits

9000 XT

Chair Size	Part Number	Description
20" Wide x 17" Deep	1118272 See Note(s) B	Seat Extension Kit (1")
20" Wide x 18" Deep	1038539 See Note(s) A	Seat Extension Kit (2")
20" Wide x 18" Deep	1112794 See Note(s) B	Seat Extension Kit (2")
22" Wide x 17" Deep	1038538 See Note(s) A	Seat Extension Kit (1")
22" Wide x 17" Deep	1118272 See Note(s) B	Seat Extension Kit (1")
22" Wide x 18" Deep	1038539 See Note(s) A	Seat Extension Kit (2")
22" Wide x 18" Deep	1112794 See Note(s) B	Seat Extension Kit (2")
NOTE: A - To be used on chairs manufactured before 8/6/04. B - To be used on chairs manufactured after 8/5/04.		
NOTE: Standard crossbrace seat depth is 16 inches. Seat depths of 17" and 18" are achieved by the Seat Extension tubes.		

Seat Extension Kits

9000XT Recliner

Chair Style	Depth Size	Part Number	Description
For chairs built between 2/2/98 - 8/6/04	17" Deep	1038538	Seat Extension Kit (1")
For chairs built between 2/2/98 - 8/6/04	18" Deep	1038539	Seat Extension Kit (2")
For chairs built after 8/5/04	17" Deep	1118272	Seat Extension Kit (1")
For chairs built after 8/5/04	18" Deep	1112794	Seat Extension Kit (2")
w/Lift Package	17" Deep	1118272	Seat Extension Kit (1")
w/Lift Package	18" Deep	1112794	Seat Extension Kit (2")

NOTE: Standard crossbrace seat depth is 16 inches. Seat depths of 17" and 18" are achieved by the Seat Extension tubes.

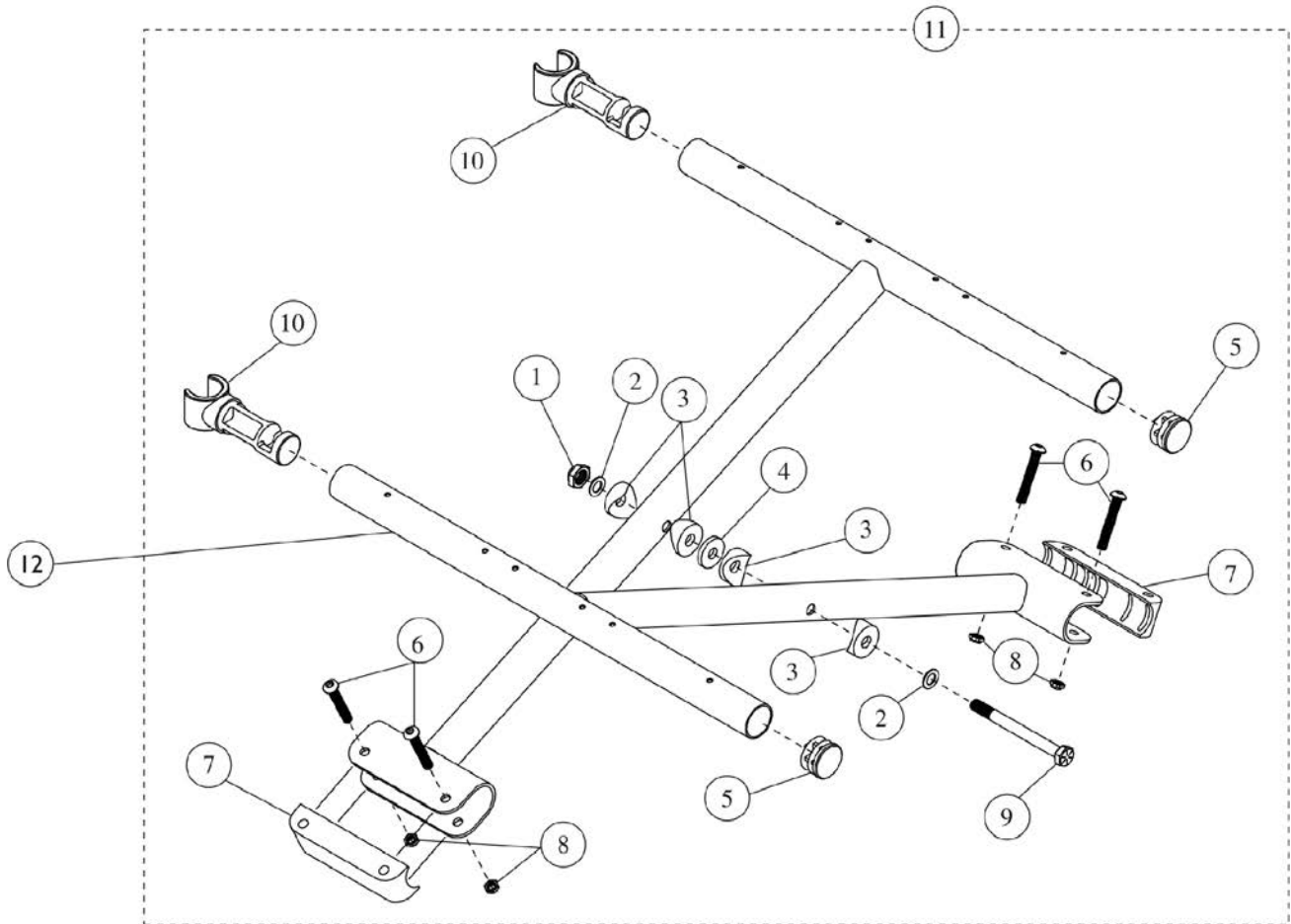
9000XDT

Depth Size	Part Number	Description
17" Deep or 19" Deep	1123889	Seat Extension Kit (1")
18" Deep or 20" Deep	1123890	Seat Extension Kit (2")

NOTE: Standard crossbrace seat depth is 16 inches. Seat depths of 17" and 18" are achieved by the Seat Extension tubes.

Crossbrace and Crossbrace Hardware

9000SL - Before 7/12/99



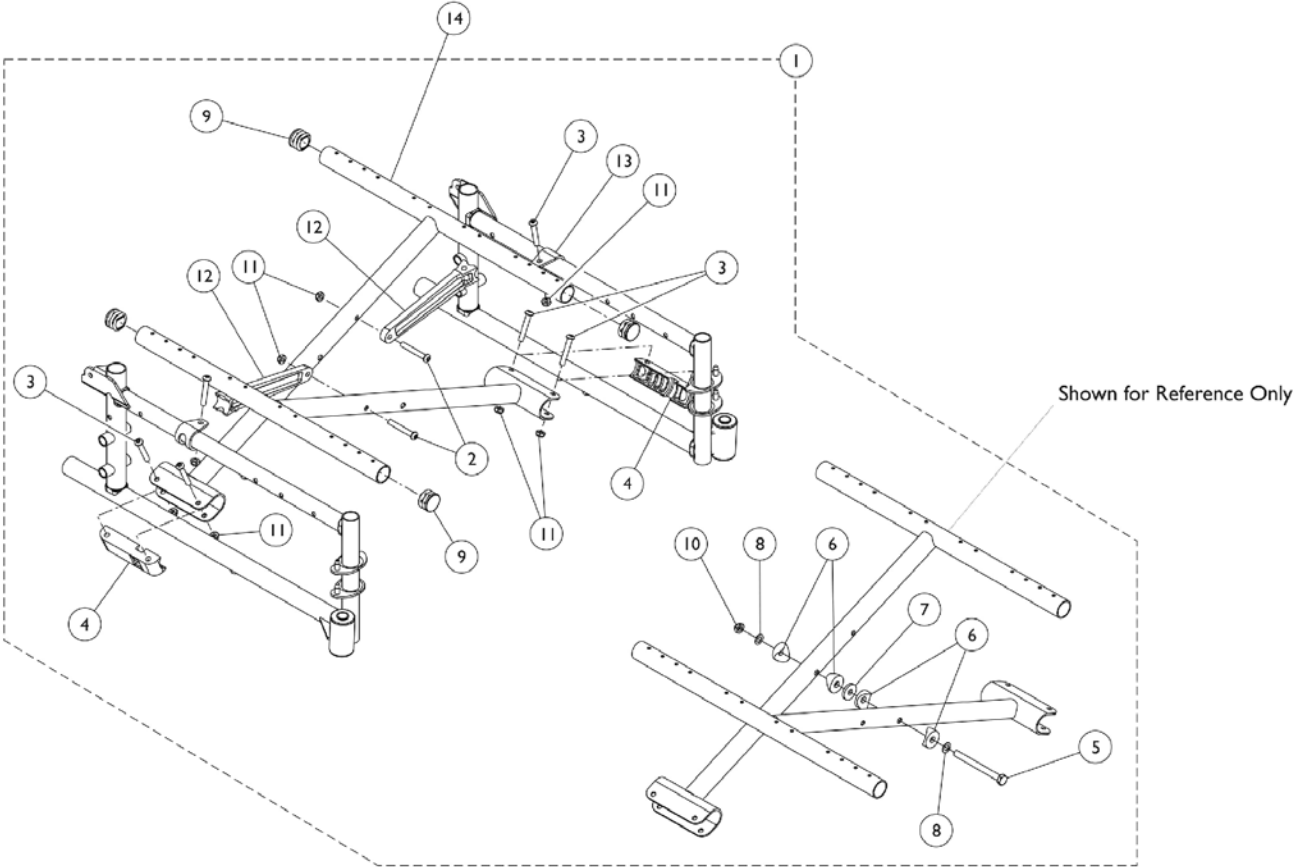
Crossbrace and Crossbrace Hardware 9000SL - Before 7/12/99

Item Number	Note	Part Number	Description	Quantity Per	
				Package	Assembly
1		60264X001	Locknut (5/16-24)	1	1
2		1016652	Washer (5/16 x 9/16 x 1/32")	1	2
3		1016263	Spacer, Coved (3/4 x 1 x 1/2")	1	4
4		1016301	Washer, Nylon (5/16 x 7/8 x 1/8")	1	1
5		1029501	Plug Button, Black (1")	1	2
6		1008495	Screw, Socket Button Head (1/4-20 x 1-1/2")	1	4
7		1012172-NLA	NLA - Clamp, Saddle	1	2
8		60275X000	Locknut (1/4-20)	1	4
9		1016261	Screw, Hex Head (5/16-24 x 3-1/4")	1	1
10		1055419-NLA	NLA - Guide, Seat	1	2
11	A	1054887-NLA	NLA - Kit, Crossbrace Hardware	2	1
12		1090818-NLA	NLA - Crossbrace w/o Hardware, Black - Right/ Left (16" W)	1	1
12		1090820-NLA	NLA - Crossbrace w/o Hardware, Black - Right/ Left (18" W)	1	1
12		1090822-NLA	NLA - Crossbrace w/o Hardware, Black - Right/ Left (20" W)	1	1
	B	1019027	Kit, Extension, Seat (2")	1	1

NOTE: A - Includes items 1-10.
B - Not Shown.

NOTE: Chairs that are 18" deep use a 2" seat extension kit. See category titled, "Seat Extension Kit."

Crossbraces and Crossbrace Hardware



Crossbraces and Crossbrace Hardware

Item Number	Note	Part Number	Description	Quantity Per	
				Package	Assembly
1	A,C,E	1046925	Hardware, Crossbrace (14 - 15" W)	1	1
1	B,C,D	1110085	Hardware, Crossbrace, Hemi (14 - 15" W)	1	1
1	A,C,E	1034077	Hardware, Crossbrace (16 - 18" W)	1	1
1	B,C,D	1110086	Hardware, Crossbrace, Hemi (16 - 18" W)	1	1
1	A,C	1120639	Hardware, Crossbrace (19" W)	1	1
1	A,C,E	1034078	Hardware, Crossbrace (20 - 22" W)	1	1
1	B,C,D	1110087	Hardware, Crossbrace, Hemi (20 - 22" W)	1	1
2		1001762	Screw, Socket Button Head (1/4-20 x 1-3/4")	1	2
3		1008495	Screw, Socket Button Head (1/4-20 x 1-1/2")	1	4
4		1012172-NLA	NLA - Clamp, Saddle	1	2
5		1016261	Screw, Hex Head (5/16-24 x 3-1/4")	1	1
6		1016263	Spacer, Coved (3/4 x 1 x 1/2")	1	4
7		1016301	Washer, Nylon (5/16 x 7/8 x 1/8")	1	1
8		1016652	Washer (5/16 x 9/16 x 1/32")	1	2
9		1029501	Plug Button, Black (1")	1	4
10		60264X001	Locknut (5/16-24)	1	1
11		60275X000	Locknut (1/4-20)	1	8
12	A	1046501	Link, Pivot, Black (14 - 15" W)	1	2
12	B	1110000	Link, Pivot, Black (14 - 15" W)	1	2
12	A	1012173	Link, Pivot, Black (16 - 18" W)	1	2
12	B	1110001	Link, Pivot, Black (16 - 18" W)	1	2
12	A	1046503	Link, Pivot, Black (19" W)	1	2
12	A	1018238	Link, Pivot, Black (20 - 22" W)	1	2
12	B	1110002	Link, Pivot, Black (20 - 22" W)	1	2
13		1012180	Bracket, Pivot, Black	1	2
14		See Chart	Crossbraces - 9000SL	1	2
14		See Chart	Crossbraces - 9000XDT	1	2
14		See Chart	Crossbraces - 9000XT	1	2
14		See Chart	Crossbraces - 9000XT Recliner	1	2

NOTE: A - For use on chairs manufactured 4/1/03 thru 1/23/05 with two piece Pivot Link and Pivot Bracket design. The exception is the 9XT 19" wide and 9XDT 20" & 22" wide models that continue to use the two piece Pivot Link and Pivot Bracket Design.
 B - For use on chairs manufactured before 4/1/03 and after 1/23/05 with one piece Pivot Link design.
 C - Includes items 2 thru 13.
 D - Does not include item 13; is not needed for the assembly.
 E - Pivot Link and Bracket sold separately.

NOTE: Crossbrace Hardware Kit contains enough hardware for complete set of Crossbraces.

9000SL

Chair Size	Part Number
16" Wide X 16" Deep 16" Wide x 18" Deep	1109960
18" Wide X 16" Deep 18" Wide X 18" Deep	1109961

Crossbraces and Crossbrace Hardware

9000SL

Chair Size	Part Number
20" Wide X 16" Deep 20" Wide X 18" Deep 20" Wide X 20" Deep	1109962
NOTE: Due to style change, an 18" deep chair manufactured before 6/17/02 will require a new seat extension. See category titled, "Seat Extension Kits."	
NOTE: Crossbrace part numbers are set up as a single part and requires two each in quantity per assembly.	

9000 XT

Chair Size	Part Number
14" Wide X 16" Deep 14" Wide X 17" Deep 14" Wide X 18" Deep	1123881
15" Wide X 16" Deep 15" Wide X 17" Deep 15" Wide X 18" Deep	1046110
16" Wide X 16" Deep 16" Wide X 17" Deep 16" Wide X 18" Deep	1123882
17" Wide X 16" Deep 17" Wide X 17" Deep 17" Wide X 18" Deep	1123883
18" Wide X 16" Deep 18" Wide X 17" Deep 18" Wide X 18" Deep	1123884
19" Wide X 16" Deep 19" Wide X 17" Deep 19" Wide X 18" Deep	1122090
20" Wide X 16" Deep 20" Wide X 17" Deep 20" Wide X 18" Deep	1109962
22" Wide X 16" Deep 22" Wide X 17" Deep 22" Wide X 18" Deep	1109963
NOTE: Due to style change, a 19-20" wide and a 17-18" deep chair manufactured before 8/6/04 will require a new seat extension. See category titled, "Seat Extension Kits."	
NOTE: Due to style change, an 18" deep chair manufactured before 6/17/02 will require a new seat extension. See category titled, "Seat Extension Kits."	
NOTE: Crossbrace part numbers are set up as a single part and requires two each in quantity per assembly.	

Crossbraces and Crossbrace Hardware

9000XT Recliner

Chair Size	Part Number
14" Wide X 16" Deep 14" Wide X 17" Deep 14" Wide X 18" Deep	1109959
16" Wide X 16" Deep 16" Wide X 17" Deep 16" Wide X 18" Deep	1109960
18" Wide X 16" Deep 18" Wide X 17" Deep 18" Wide X 18" Deep	1109961
19" Wide X 16" Deep 19" Wide X 17" Deep 19" Wide X 18" Deep	1122090
20" Wide X 16" Deep 20" Wide X 17" Deep 20" Wide X 18" Deep	1109962
22" Wide X 16" Deep 22" Wide X 17" Deep 22" Wide X 18" Deep	1109963

NOTE: Due to style change, a 17-18" deep chair manufactured before 8/6/04 will require a new seat extension. See category titled, "Seat Extension Kits."

NOTE: Due to style change, a 19-20" wide and a 17-18" deep chair manufactured before 8/6/04 will require a new seat extension. See category titled, "Seat Extension Kits."

NOTE: Due to style change, an 18" deep chair manufactured before 6/17/02 will require a new seat extension. See category titled, "Seat Extension Kits."

NOTE: Crossbrace part numbers are set up as a single part and requires two each in quantity per assembly.

9000 XDT

Chair Size	Part Number
16" Wide x 16" Deep 16" Wide x 17" Deep 16" Wide x 18" Deep	1120628
16" Wide x 19" Deep 16" Wide x 20" Deep	1120627
17" Wide x 16" Deep 17" Wide x 17" Deep 17" Wide x 18" Deep	1120630
17" Wide x 19" Deep 17" Wide x 20" Deep	1120629
18" Wide x 16" Deep 18" Wide x 17" Deep 18" Wide x 18" Deep	1120632
18" Wide x 19" Deep 18" Wide x 20" Deep	1120631

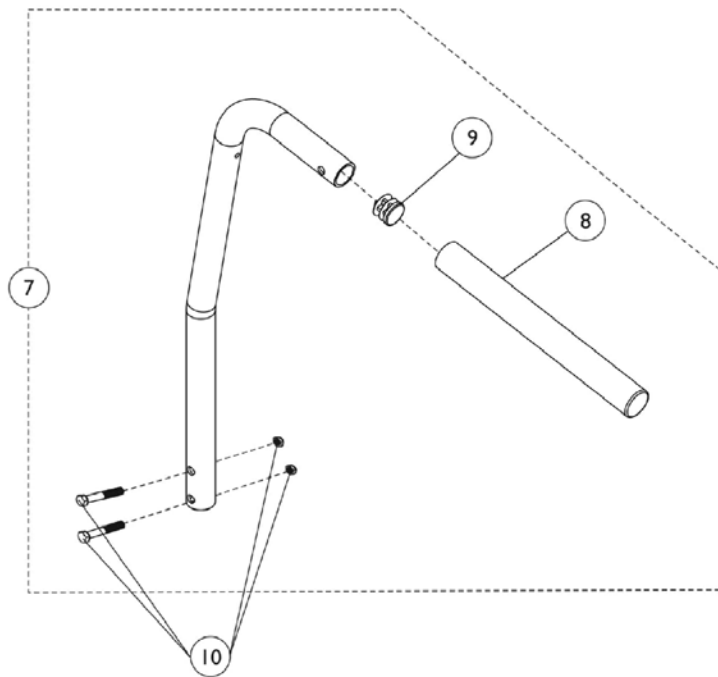
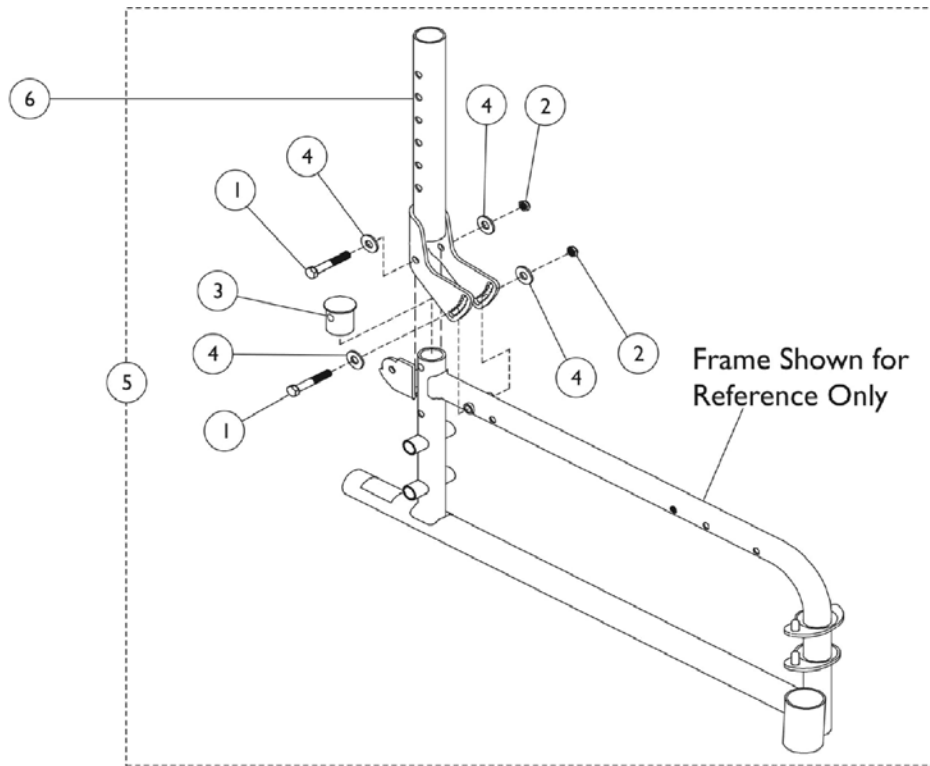
Crossbraces and Crossbrace Hardware

9000 XDT

Chair Size	Part Number
19" Wide x 16" Deep 19" Wide x 17" Deep 19" Wide x 18" Deep	1120633
19" Wide x 19" Deep 19" Wide x 20" Deep	1120634
20" Wide x 16" Deep 20" Wide x 17" Deep 20" Wide x 18" Deep	1120635
20" Wide x 19" Deep 20" Wide x 20" Deep	1120636
22" Wide x 16" Deep 22" Wide x 17" Deep 22" Wide x 18" Deep	1120638
22" Wide x 19" Deep 22" Wide x 20" Deep	1120637
NOTE: Due to style change, a 17-18" deep chair manufactured before 8/6/04 will require a new seat extension. See category titled, "Seat Extension Kits."	
NOTE: Due to style change, a 19-20" wide and a 17-18" deep chair manufactured before 8/6/04 will require a new seat extension. See category titled, "Seat Extension Kits."	
NOTE: Due to style change, an 18" deep chair manufactured before 6/17/02 will require a new seat extension. See category titled, "Seat Extension Kits."	
NOTE: Crossbrace part numbers are set up as a single part and requires two each in quantity per assembly.	

Standard Back Canes with Grip

9000SL with Adjustable Angle Back Option, 9000XT or 9000XDT



Standard Back Canes with Grip

9000SL with Adjustable Angle Back Option, 9000XT or 9000XDT

Item Number	Note	Part Number	Description	Quantity Per	
				Package	Assembly
1		1013046-NLA	NLA - Screw, Hex Head (1/4-20 x 1-3/4")	1	4
2		60275X000	Locknut (1/4-20)	1	6
3		1063137	Plug, End	1	2
4		16348X009-NLA	NLA - Washer, Steel (3/16 x 9/16 x 1/16")	1	8
5	A	1063912	Hardware, Adjustable Angle	1	1
6		1063913	Bracket, Adjustable Angle Back Tube, Chrome	1	1
6	E,F	8881063914-NL A	NLA - Bracket, Adjustable Angle Back Tube, Color	1	1
6	E,G	8881142648	Bracket, Adjustable Angle Back Tube, Color	1	1
6		1064771	Bracket, Adjustable Angle Back Tube, Black	1	1
7		See Chart	Standard Back Canes with Grip - 9000SL with Adjustable Angle Back Option or 9000XT	1	1
7		See Chart	Standard Back Canes with Grip and Hardware-9000XDT	1	1
8		1006229	Grip, Foam (8")	1	1
9	B	1027097	Plug Button, Black (3/4")	1	1
9	C	1027095	Plug Button, Black (7/8")	1	1
10	D	1142608	Hardware, Rear Cane Mounting	1	1
			Screw, Socket Button Head (1/4-20 x 1-1/4")	1	4
			Spacer (.125 x .375 x .257)	1	4
			Locknut (1/4-20)	1	4

NOTE: A - Includes items 1-4.
 B - To be used on 9000SL with Adjustable Angle Back Option and 9000XT.
 C - To be used on 9000XDT.
 D - Hardware includes (2) each 1/4-20 x 1-1/4" screws and (2) each 1/4-20 locknuts.
 E - Specify frame color when ordering, see category titled, "Frame Finishes, Upholstery Colors, Decals and Packaging."
 F - Before 3/6/06.
 G - After 3/5/06.

9000SL with Adjustable Angle Back Option or 9000XT

Cane Style	Wrap Around Upholstery	Screw On Upholstery
10 Degree Bend	1028372 See Note(s) A	1043373
10 Degree Bend	1142602 See Note(s) B	1043373
Straight	1142604	1047691

NOTE: A - Before 3/6/06.
 B - After 3/5/06.

Standard Back Canes with Grip and Hardware- 9000XDT

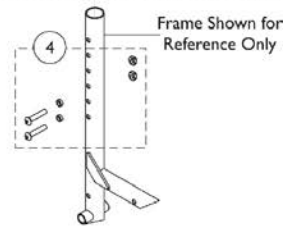
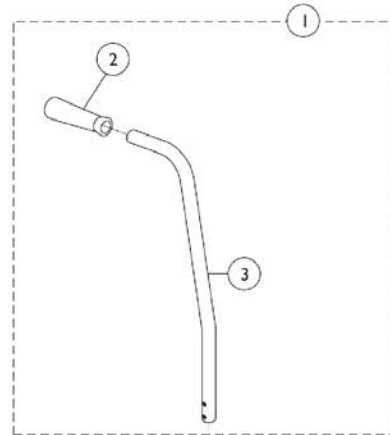
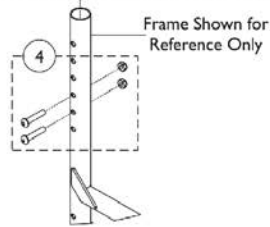
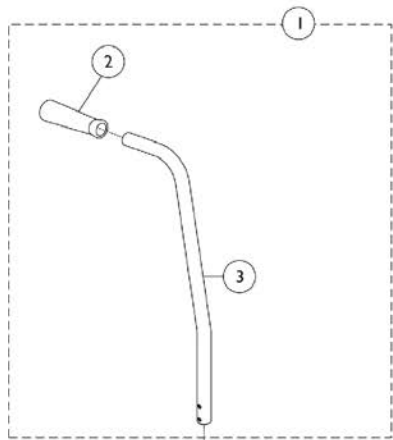
Cane Style	Wrap Around Upholstery	Screw On Upholstery
10 Degree Bend	1120661	1120657

Standard Back Canes with Grip
9000SL with Adjustable Angle Back Option, 9000XT or 9000XDT
Standard Back Canes with Grip and Hardware- 9000XDT

Cane Style	Wrap Around Upholstery	Screw On Upholstery
Straight	1120659	1120656

Extended Back Canes with Grip and Hardware

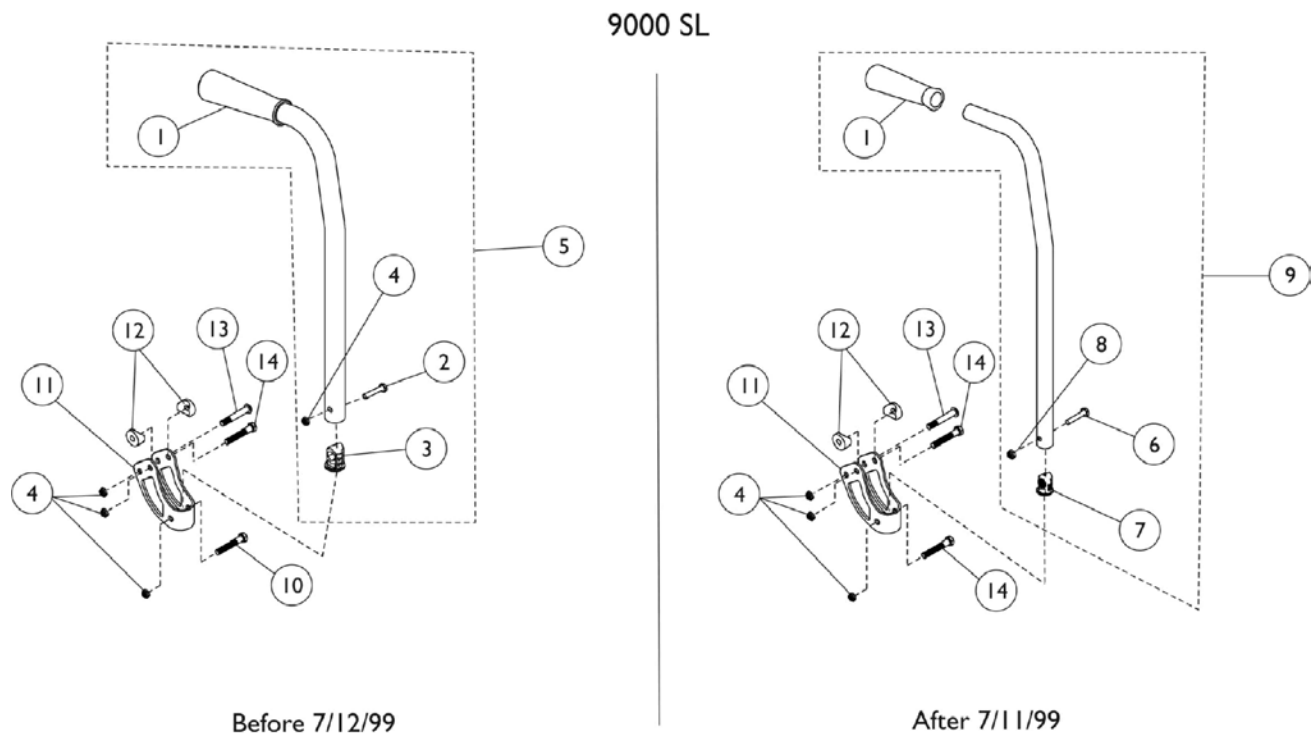
9000SL with Adjustable Angle Back Option and 9000XT



Extended Back Canes with Grip and Hardware 9000SL with Adjustable Angle Back Option and 9000XT

Item Number	Note	Part Number	Description	Quantity Per	
				Package	Assembly
1	A	1142612	Cane Assembly, Extended with 10 Degree Bend and Grip - Black	1	1
2			Grip, Hand, Foam (4-3/4")	1	1
3			Cane, Back w/ 10 Degree Bend, Extended	1	1
1	B	1065178	NLA - Cane Assembly, Extended with 10 Degree Bend	1	1
2			Grip, Hand, Foam (4-3/4")	1	1
3			Cane, Back, Upright, Black	1	1
1	A	1064523	NLA - Cane Assembly, Extended, Straight	1	1
2			Grip, Hand, Foam (4-3/4")	1	1
3			Cane, Back, Straight, Black	1	1
1	B	1064527	NLA - Cane Assembly, Extended, Straight	1	1
2			Grip, Hand, Foam (4-3/4")	1	1
3			Cane, Back, Black	1	1
4	C,D	1042623	Hardware, Mounting	1	1
			Screw, Socket Button Head (1/4-20 x 1-1/4")	1	4
			Locknut (1/4-20)	1	4
4	C,E	1142608	Hardware, Rear Cane Mounting	1	1
			Screw, Socket Button Head (1/4-20 x 1-1/4")	1	4
			Spacer (.125 x .375 x .257)	1	4
			Locknut (1/4-20)	1	4
NOTE: A - For use with wrap around upholstery. B - For use with screw on upholstery. C - Hardware includes (4) each screws (1/4-20 x 1-1/4") and (4) each locknuts (1/4-20). D - Before 3/6/06. E - After 3/5/06.					

Standard Back Canes with Grip - 9000SL



Standard Back Canes with Grip - 9000SL

Item Number	Note	Part Number	Description	Quantity Per	
				Package	Assembly
1		1057248	Grip, Hand, Foam (4-3/4")	1	1
2		1058561-NLA	NLA - Screw, Hex Head (1/4-20 x 1-1/2")	1	1
3		1056551	Insert	1	1
4		60275X000	Locknut (1/4-20)	1	1
5	A	See Chart	Standard Back Canes with Grip - 9000SL	1	1
6		1057955	Screw, Hex Head (1/4-20 x 1-1/4")	1	1
7		1056551	Insert	1	1
8		1025195	Locknut (1/4-20)	1	1
9	B	See Chart	Standard Back Canes with Grip - 9000SL	1	1
10		16720X004	Screw, Hex Head (1/4-20 x 1-1/2")	1	1
11		1056110-NLA	NLA - Bracket, Armrest, Chrome	1	1
12		1025457	Spacer, Coved (1/4 x 3/4 x 11/32")	1	2
13		1029583-NLA	NLA - Screw, Socket Button Head (1/4-20 x 1-7/16")	1	1
14		1013046-NLA	NLA - Screw, Hex Head (1/4-20 x 1-3/4")	1	1

NOTE: A - To be used with models manufactured before 7/12/99. Includes items 1-5.
 B - To be used with models manufactured after 7/11/99. Includes items 1, 6, 7 and 8.

Standard Back Canes with Grip - 9000SL

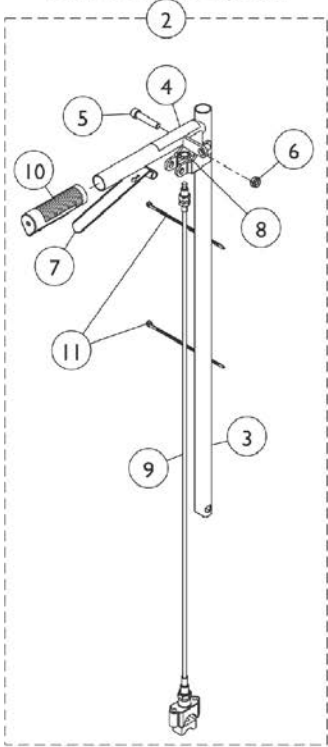
Back Height	Part Number
15"	1058203-NLA See Note(s) A
15 - 17"	1091102 See Note(s) B
16"	1058204-NLA See Note(s) A
17"	1058205-NLA See Note(s) A
17 - 19"	1091103 See Note(s) B
18"	1058206-NLA See Note(s) A
19"	1058207-NLA

NOTE: A - Before 7/19/99
 B - After 7/18/99

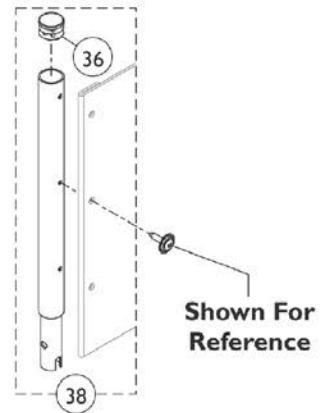
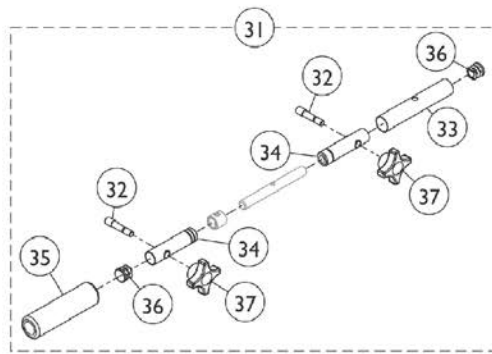
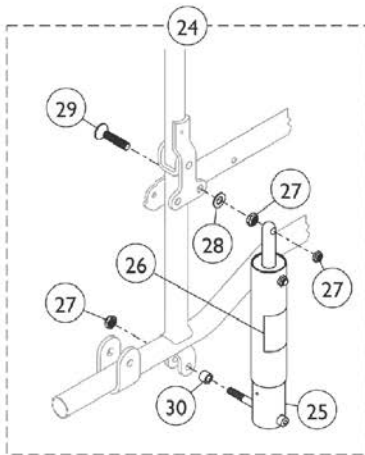
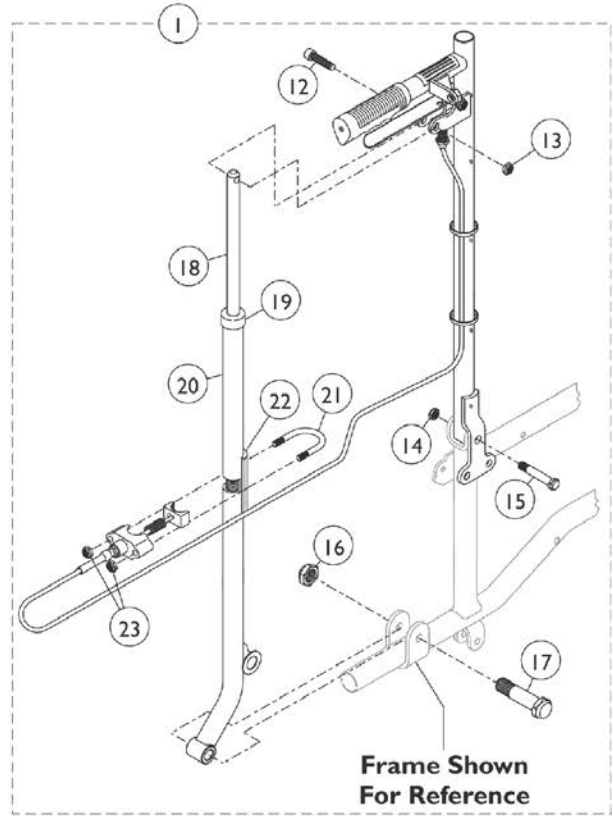
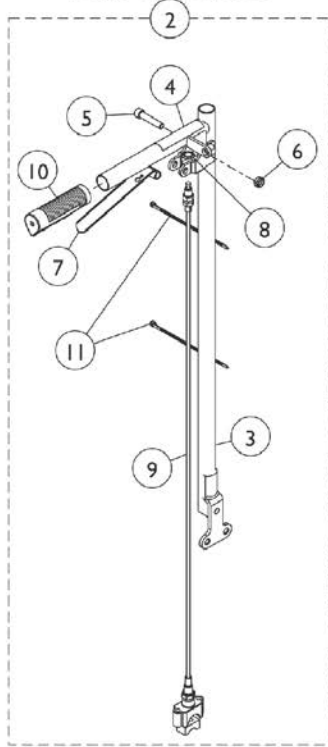
Back Canes and Hardware

9000XT Recliner

**Back Tube Assembly
Without Lift Option**



**Back Tube Assembly
With Lift Option**



Back Canes and Hardware 9000XT Recliner

Item Number	Note	Part Number	Description	Quantity Per	
				Package	Assembly
1	D,J,Q	1074477-NLA	NLA - Recliner Back Assembly w/ Lift Option, Chrome (23" H) (Pair)	2	1
1	D,K,Q	1142778-NLA	NLA - Recliner Back Assembly w/ Lift Option, Black (23" H) (Pair)	2	1
1	D,M,N	8881180815	Recliner Back Assembly w/ Lift Option, Color (23" H) (Pair)	1	1
1	D,J,P,R	1074482-NLA	NLA - Recliner Back Assembly w/o Lift Option, Chrome (23" H) (Pair)	2	1
1	D,K,R	1142779-NLA	NLA - Recliner Back Assembly w/o Lift Option, Black (23" H) (Pair)	2	1
1	D,M,N	8881180810	Recliner Back Assembly w/o Lift Option, Color (23" H) (Pair)	1	1
2	A	1074475-NLA	NLA - Back Tube w/ Cable Assembly, Chrome - Right	1	1
3			Back Tube, Black - Right	1	1
4			Label, Caution	1	1
5			Screw, Socket Head (5/16-18 x 1-1/2")	1	1
6			Locknut (5/16-18)	1	1
7			Lever, Brake Release, Black	1	1
8			Fastener, Spring Grip	1	1
9			Cable Assembly	1	1
9			Nut, Hex (5/16"-18)	1	2
9			Housing, Support	1	1
9			NLA - Spring, Compression (27/64 x 1 x 3/64")	1	1
9			NLA - Sector, Threaded	1	1
9			Tubing, Heatshrink Adhesive (1-1/2")	1	1
9			NLA - Nut, Swivel (5/16-18 x 21/32")	1	1
10			Grip, Hand (6")	1	1
11			Tie Wrap (5-5/8" L)	1	2
2	A	1074476	NLA - Back Tube w/ Cable Assembly, Chrome - Left	1	1
3			Back Tube, Chrome - Left	1	1
4			Label, Caution	1	1
5			Screw, Socket Head (5/16-18 x 1-1/2")	1	1
6			Locknut (5/16-18)	1	1
7			Lever, Brake Release, Black	1	1
8			Fastener, Spring Grip	1	1
9			Cable Assembly	1	1
9			Nut, Hex (5/16"-18)	1	2
9			Housing, Support	1	1
9			NLA - Spring, Compression (27/64 x 1 x 3/64")	1	1
9			NLA - Sector, Threaded	1	1
9			Tubing, Heatshrink Adhesive (1-1/2")	1	1
9			NLA - Nut, Swivel (5/16-18 x 21/32")	1	1
10			Grip, Hand (6")	1	1

Back Canes and Hardware 9000XT Recliner

Item Number	Note	Part Number	Description	Quantity Per	
				Package	Assembly
11			Tie Wrap (5-5/8" L)	1	2
2	B	1074480	NLA - Back Tube w/ Cable Assembly, Chrome - Right	1	1
3			Back Tube, Chrome - Right	1	1
4			Label, Caution	1	1
5			Screw, Socket Head (5/16-18 x 1-1/2")	1	1
6			Locknut (5/16-18)	1	1
7			Lever, Brake Release, Black	1	1
8			Fastener, Spring Grip	1	1
9			Cable Assembly	1	1
9			Nut, Hex (5/16"-18)	1	2
9			Housing, Support	1	1
9			NLA - Spring, Compression (27/64 x 1 x 3/64")	1	1
9			NLA - Sector, Threaded	1	1
9			Tubing, Heatshrink Adhesive (1-1/2")	1	1
9			NLA - Nut, Swivel (5/16-18 x 21/32")	1	1
10			Grip, Hand (6")	1	1
11			Tie Wrap (5-5/8" L)	1	2
2	B	1074481	NLA - Back Tube w/ Cable Assembly, Chrome - Left	1	1
3			Back Tube, Chrome - Left	1	1
4			Label, Caution	1	1
5			Screw, Socket Head (5/16-18 x 1-1/2")	1	1
6			Locknut (5/16-18)	1	1
7			Lever, Brake Release, Black	1	1
8			Fastener, Spring Grip	1	1
9			Cable Assembly	1	1
9			Nut, Hex (5/16"-18)	1	2
9			Housing, Support	1	1
9			NLA - Spring, Compression (27/64 x 1 x 3/64")	1	1
9			NLA - Sector, Threaded	1	1
9			Tubing, Heatshrink Adhesive (1-1/2")	1	1
9			NLA - Nut, Swivel (5/16-18 x 21/32")	1	1
10			Grip, Hand (6")	1	1
11			Tie Wrap (5-5/8" L)	1	2
5		1021344	Screw, Socket Head (5/16-18 x 1-1/2")	1	1
6		60290X002	Locknut (5/16-18)	1	1
7		1021085	Lever, Brake Release, Black	1	1
8		1071676	Fastener, Spring Grip	1	1
9	C	1074471	Cable and Housing Assembly	1	1
			Cable Assembly	1	1
			Nut, Hex (5/16"-18)	1	2
			Housing, Support	1	1
			NLA - Spring, Compression (27/64 x 1 x 3/64")	1	1

Back Canes and Hardware 9000XT Recliner

Item Number	Note	Part Number	Description	Quantity Per	
				Package	Assembly
			NLA - Sector, Threaded	1	1
			Tubing, Heatshrink Adhesive (1-1/2")	1	1
			NLA - Nut, Swivel (5/16-18 x 21/32")	1	1
10		1021261	Grip, Hand (6")	1	1
11		1021260	Tie Wrap (5-5/8" L)	1	2
12		1021343	Screw, Socket Head (5/16-18 x 1-1/4")	1	1
13		60290X002	Locknut (5/16-18)	1	1
14		60264X001	Locknut (5/16-24)	1	1
15	A	1044762	Bolt, Pivot (5/16-24 x 1-7/8")	1	1
15	B	1074647	Bolt, Pivot (5/16-24)	1	1
16		1001979	Locknut (1/2-20)	1	1
17		1044195	Bolt, Pivot (1/2-20 x 1-3/4")	1	1
18		1042736	Rod, Locking	1	1
19		1024221	Anti-Rattle, Black	1	1
20		1070961-NLA	NLA - Tube, Recliner, Chrome	1	1
20	L	1142776-NLA	NLA - Tube, Recliner, Black	1	1
21		1023328	U-Bolt (1/4-20 x 1-13/16")	1	1
22		1023329-NLA	NLA - Plate Support	1	1
23		1008882	Locknut (1/4-20)	1	2
24	E	1034176	Kit, Lift (Pair)	2	1
25		1021338	Spring and Housing Assembly	1	1
26		1022642	Label, Warning	1	1
27		60290X002	Locknut (5/16-18)	1	3
28		40157X000	Washer, Steel (11/32 x 5/8 x 3/64")	1	1
29		1021337-NLA	NLA - Screw, Socket Flat Head (5/16-18 x 1-1/2")	1	1
30		47330X003	Spacer (5/16 x 1/2 x 3/8")	1	1
31	I	1052597-NLA	NLA - Bar, Adjustable, Spreader, Chrome (14 - 15" W)	1	1
31	I,S	8881181932	Bar, Adjustable, Spreader, Color (14 - 15" W)	1	1
31	I	1021276-NLA	NLA - Bar, Adjustable, Spreader, Chrome (16 - 19" W)	1	1
31	I,S	8881181931	Bar, Adjustable, Spreader, Color (16 - 19" W)	1	1
31	I	1026736-NLA	NLA - Bar, Adjustable, Spreader, Chrome (20 - 22" W)	1	1
31	I,S	8881181987	Bar, Adjustable, Spreader, Color (20 - 22" W)	1	1
32		1021091	Stud (5/16-18 x 1-3/4")	1	2
33		See Chart	Item #33 Adjustment Tube	1	1
34	F	1021353-NLA	NLA - Cover, Tube, Chrome (14 - 15" W)	1	1
34	G,H	1021088-NLA	NLA - Cover, Tube, Chrome (16 - 19" W)	1	1
35	F	1016298	Grip, Push Handle	1	1
35	G,H	1016254	Grip, Push Handle	1	1
36		1027097	Plug Button, Black (3/4")	1	2
37		1021092	Knob, Black	1	2
38	O	1054595-NLA	NLA - Headrest Extension Tube Assembly, Black	1	2

Back Canes and Hardware 9000XT Recliner

Item Number	Note	Part Number	Description	Quantity Per	
				Package	Assembly
38	N,O	8881181852	Headrest Extension Tube Assembly, Color	1	2
NOTE: A - For use on models with a Lift Option. Item #2 is not available for color frame models. Must order item #1 B - For use on models without a Lift Option. Item #2 is not available for color frame models. Must order item #1 C - Includes: Housing, Spring, Sector and Hardware. D - Includes items 2 and 12-23. E - Includes Items 25-30. F - 14 - 15" Wide Chairs. Item #34 is not available for color frame models. Must order item #31 G - 16 - 19" Wide Chairs. Item #34 is not available for color frame models. Must order item #31 H - 20 - 22" Wide Chairs. I - Includes Items 32-37. J - Before 3/6/06. K - 3/6/06 thru 4/11/13 L - Black Recliner Tube is only available with item #1 Recliner Back Assembly 8881180810 or 8881180815. M - After 4/11/13 N - Specify 34P Black frame finish when ordering. O - Includes item 36. P - No Longer Available. Use part #1142779 as a replacement Q - No Longer Available. See item #1 8881180815 and order 34P Black frame finish. R - No Longer Available. See item #1 8881180810 and order 34P Black frame finish. S - Specify 71P Silver Vein frame finish when ordering.					

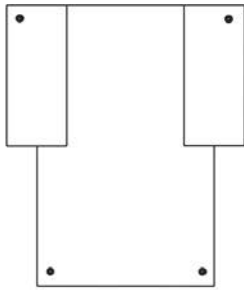
Item #33 Adjustment Tube

Adjustment Tube	14 - 15" Wide	16 - 19" Wide	20 - 22" Wide
Right	1021351-NLA See Note(s) A	1021100-NLA	1026734-NLA
Left	1021352-NLA See Note(s) A	1021101-NLA	1026735
NOTE: A - Part #1021351 and 1021352 are no longer available as service parts individually. Must order item 31 as a replacement.			

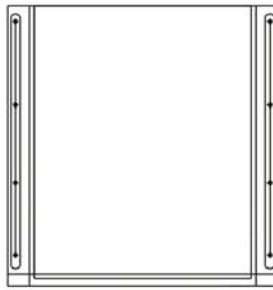
Back Upholstery and Hardware

9000SL / 9000XT / 9000XDT

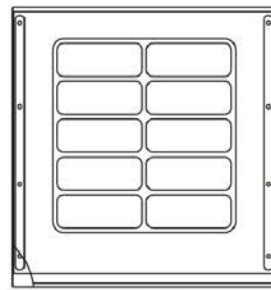
If a wheelchair was originally ordered with the RB, (reinforced back), please refer to quote SM-100924021021 to order a replacement back upholstery.



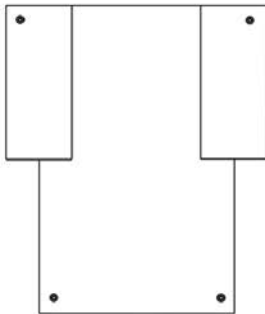
9000SL
Back Upholstery
Wrap-Around
15-19" - Nylon/Vinyl



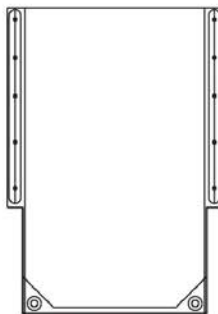
9000SL
Back Upholstery
Screw-On
15-19" - Nylon



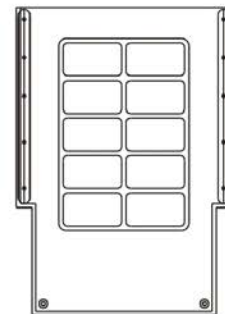
9000SL
Back Upholstery
Screw-On
15-19" - Vinyl



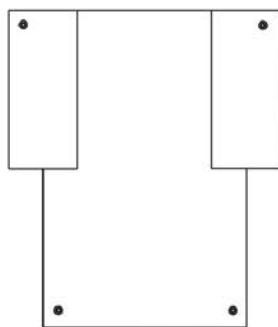
9000XT
Back Upholstery
Wrap-Around
15-19" -Nylon/Vinyl



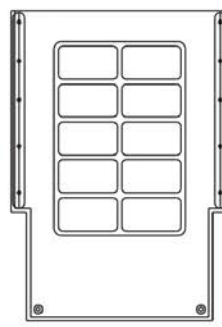
9000XT
Back Upholstery
Screw-On
15-19" - Vinyl



9000XT
Back Upholstery
Screw-On
15-19" - Vinyl



9000XDT
Back Upholstery
Wrap-Around
15-19" - Nylon/Vinyl



9000XDT
Back Upholstery
Screw-On
15-19" - Vinyl

Back Upholstery and Hardware

9000SL / 9000XT / 9000XDT

If a wheelchair was originally ordered with the RB, (reinforced back), please refer to quote SM-100924021021 to order a replacement back upholstery.

9000SL Nylon Screw-On Back Upholstery

Nylon - Before 7/12/99

Chair Width	15" Back Height	16" Back Height	17" Back Height	18" Back Height	19" Back Height
16" W	8881057251 See Note(s) A	8881057252-NLA See Note(s) A	8881057253-NLA See Note(s) A	8881057254-NLA See Note(s) A	8881057255-NLA See Note(s) A
18" W	8881057256-NLA See Note(s) A	8881057257-NLA See Note(s) A	8881057258-NLA See Note(s) A	8881057259-NLA See Note(s) A	8881057260-NLA See Note(s) A
20" W	N/A	N/A	N/A	8881066271-NLA See Note(s) A	8881066272-NLA See Note(s) A

NOTE: A - Only U240 Black Nylon Upholstery is available.

NOTE: Hardware is not included. See chart titled, "Hardware for Back Upholstery - 9000SL."

9000SL Nylon Screw-On Back Upholstery

Nylon - After 7/11/99

Chair Width	Back Height 15 - 17"	Back Height 17 - 19"
16" W	1127480	1127481
18" W	1127482	1127483
20" W	1127484	1127485

NOTE: Upholstery color is black.

NOTE: Hardware is included

9000SL Screw-On Back Upholstery

Vinyl - After 7/11/99

Chair Width	Back Height 15 - 17"	Back Height 17 - 19"
16" W	8881127500	8881127501
18" W	8881127502	8881127503
20" W	8881127504	8881127505

NOTE: When ordering, specify upholstery color, (U67).

NOTE: Hardware is included.

Back Upholstery and Hardware

9000SL / 9000XT / 9000XDT

If a wheelchair was originally ordered with the RB, (reinforced back), please refer to quote SM-100924021021 to order a replacement back upholstery.

9000SL Wrap-Around Upholstery

(For ANGLE BACK TYPE Option)

Chair Width	Back Height 15-19" - Nylon	Back Height 15-19" - Vinyl
16" W	1130878 See Note(s) A	8881130886 See Note(s) B
18" W	8881130880 See Note(s) A	8881130888 See Note(s) B
20" W	1130882 See Note(s) A	8881130890 See Note(s) B
NOTE: A - Upholstery color is Black. B - Specify Upholstery Color (U67), when ordering.		
NOTE: Hardware is included.		

Hardware for Back Upholstery - 9000SL

Part Number	Description	Quantity
1041541 See Note(s) A	Screws w/ Washers	1 package of 12
1018239 See Note(s) B	Tie Wrap	2
NOTE: A - Hardware is not sold individually. B - Sold individually; assembly requires (2).		

Back Upholstery and Hardware

9000SL / 9000XT / 9000XDT

If a wheelchair was originally ordered with the RB, (reinforced back), please refer to quote SM-100924021021 to order a replacement back upholstery.

9000XT & 9000XDT Back Upholstery

Chair Width	Nylon Wrap-Around Upholstery 15 - 19" Back Height	Vinyl Wrap-Around Upholstery 15 - 19" Back Height	Vinyl Screw-On Upholstery 15 - 19" Back Height
14" W	1130876 See Note(s) A	8881130884 See Note(s) B	8881130892 See Note(s) B
15" W	1130877 See Note(s) A	8881130885 See Note(s) B	8881130893 See Note(s) B
16" W	1130878 See Note(s) A	8881130886 See Note(s) B	8881130894 See Note(s) B
17" W	1130879 See Note(s) A	8881130887 See Note(s) B	8881130895 See Note(s) B
18" W	8881130880 See Note(s) A	8881130888 See Note(s) B	8881130896 See Note(s) B
19" W	1130881 See Note(s) A	8881130889 See Note(s) B	8881130897 See Note(s) B
20" W	1130882 See Note(s) A	8881130890 See Note(s) B	8881130898 See Note(s) B
22" W	1130883 See Note(s) A	8881130891 See Note(s) B	8881130899 See Note(s) B

NOTE: A - Upholstery color is black.
B - When ordering, specify upholstery color, (U67).

NOTE: Hardware is included.

Hardware for Back Upholstery - 9000XT

Part Number	Description	Quantity
1041541 See Note(s) A	Screws w/ Washers	1 package of 12
1018239 See Note(s) B	Tie Wrap	2

NOTE: A - Hardware is not sold individually.
B - Sold individually; assembly requires 2.

Hardware for Back Upholstery - 9000XDT

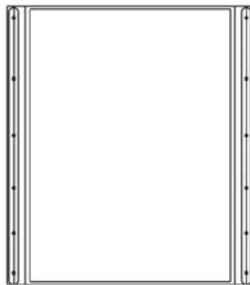
Part Number	Description	Quantity
1041541 See Note(s) A	Screws w/washers	1 package of 12

NOTE: A - Hardware is not sold individually.

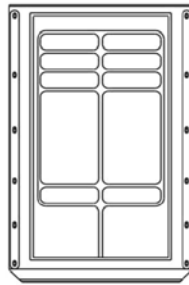
Back Upholstery and Hardware

9000XT Recliner

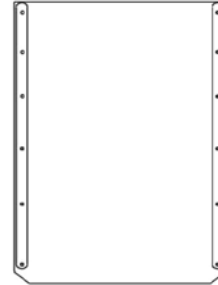
If a wheelchair was originally ordered with the RB, (reinforced back), please refer to quote SM-100924021021 to order a replacement back upholstery.



9000XT Recliner
Back Upholstery
23" Height
Nylon



9000XT Recliner
Back Upholstery
23" Height
Vinyl



9000XT Recliner
Back Upholstery
23" Height
Light-Weight Vinyl

Back Upholstery and Hardware 9000XT Recliner

If a wheelchair was originally ordered with the RB, (reinforced back), please refer to quote SM-100924021021 to order a replacement back upholstery.

Back Upholstery (23" Back Height)

Width	Nylon	Vinyl	Lightweight Vinyl
14" W	1130900	8881130906 See Note(s) A	See Note See Note(s) B
16" W	1130901	8881130907 See Note(s) A	See Note See Note(s) B
18" W	1130902	8881130908 See Note(s) A	See Note See Note(s) B
19" W	1130903	8881130909 See Note(s) A	See Note See Note(s) B
20" W	1130904	8881130910 See Note(s) A	See Note See Note(s) B
22" W	1130905	8881130911 See Note(s) A	See Note See Note(s) B

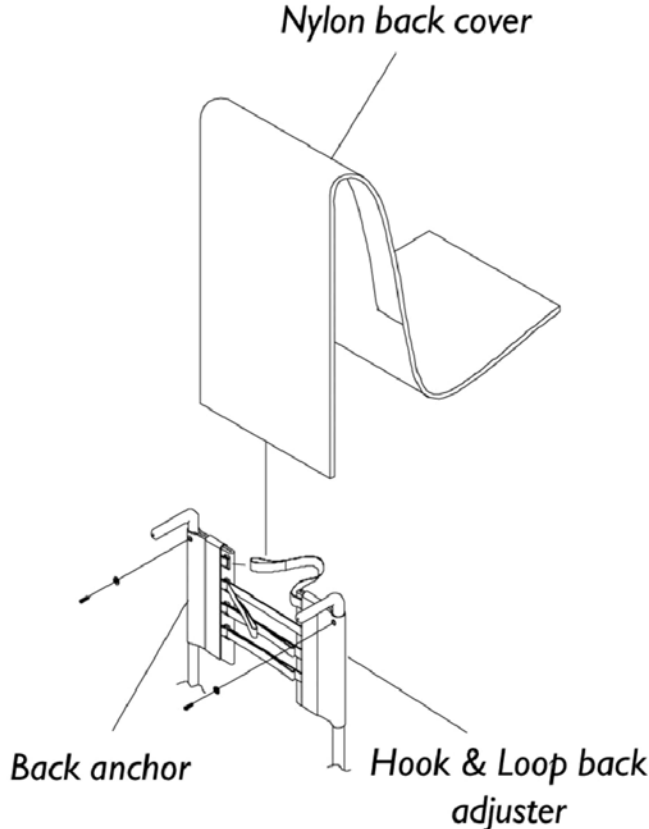
NOTE: A - Specify upholstery color when ordering, see category titled, "Frame Finishes, Upholstery Colors, Decals and Packaging."
B - 9RC Recliner originally ordered with Black Lightweight Vinyl (U05) must convert to Black Vinyl (U67) as a replacement. New Seat, Back, Headrest Upholstery and Headrest Pillow are required.

Hardware for Back Upholstery

Part Number	Description	Quantity
1035975-NLA See Note(s) A	Screws w/washers	1 package of 18

NOTE: A - Hardware is not sold individually.

Back Upholstery - Adjustable Tension



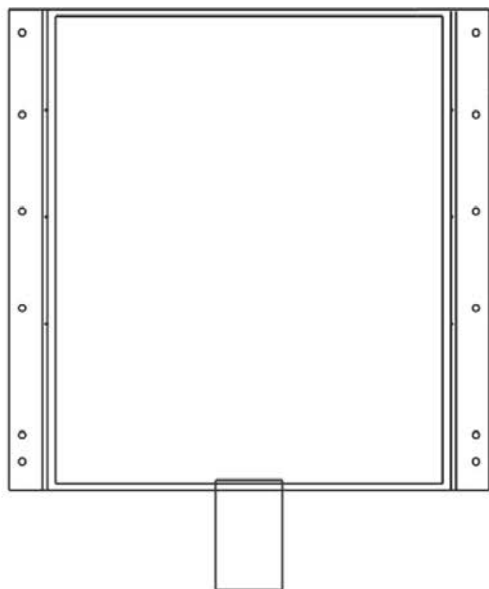
Back Height	Chair Width	Back Anchor	Back Adjuster	Back Cover	Back Assembly
14" - 18"	14"	1037720-NLA	1037736	1037722	1039485
	15"	1037720-NLA	1037736	1037723	1039486
	16"	1037720-NLA	1037736	1037724	1039487
	17"	1037720-NLA	1037721	1037725	1039488-NLA
	18"	1037720-NLA	1037721	1037726	1039489-NLA
	19"	1037720-NLA	1037737	1037727	1039490-NLA
	20"	1037720-NLA	1037737	1037728	1039491
	22"	1037720-NLA	1037737	1108325	1114127

Seat Upholstery and Hardware

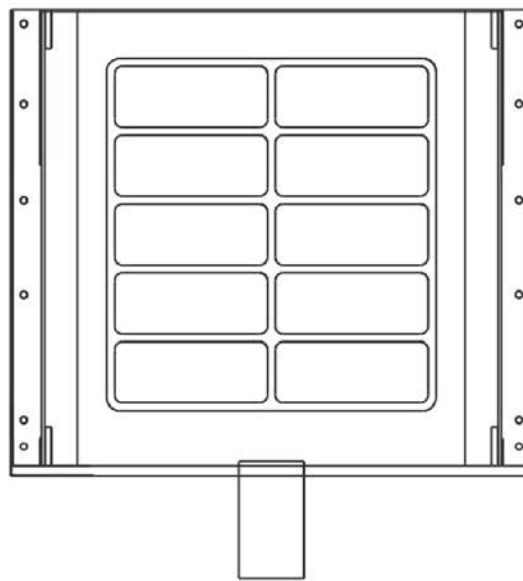
If a wheelchair was originally ordered with RS (reinforced seat), please refer to quote SM-100924021021 to order a replacement seat upholstery.

NOTE: Lightweight Vinyl upholstery is no longer available; vinyl upholstery may be used as a replacement.

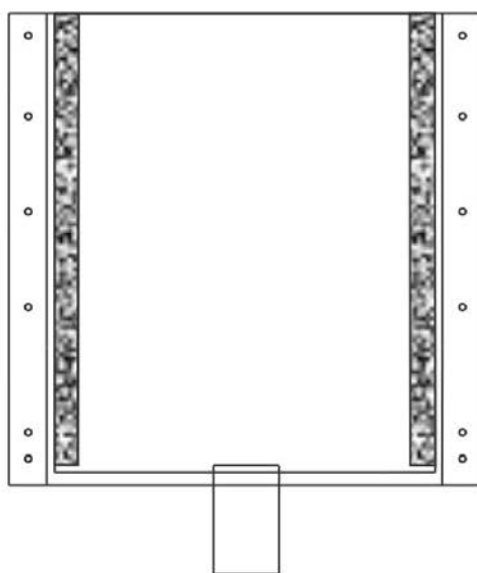
NOTE: After 10/11/16 additional hole was added to the rear corners of the seat upholstery and accommodates all wheelchairs manufactured before 10/12/16 as well. All Crossbrace Seat Rails in the field already have the additional upholstery hole and do not require replacement of Crossbraces.



9000XT - 9XT Recliner
9000XDT - 9SL
Seat Upholstery - Nylon



9000XT - 9XT Recliner
9000XDT
Seat Upholstery - Vinyl



9000XT / XDT / Recliner

Seat Upholstery and Hardware

If a wheelchair was originally ordered with RS (reinforced seat), please refer to quote SM-100924021021 to order a replacement seat upholstery.

NOTE: Lightweight Vinyl upholstery is no longer available; vinyl upholstery may be used as a replacement.

NOTE: After 10/11/16 additional hole was added to the rear corners of the seat upholstery and accommodates all wheelchairs manufactured before 10/12/16 as well. All Crossbrace Seat Rails in the field already have the additional upholstery hole and do not require replacement of Crossbraces.

Sail Cloth Seat Upholstery

Seat Upholstery and Hardware

If a wheelchair was originally ordered with RS (reinforced seat), please refer to quote SM-100924021021 to order a replacement seat upholstery.

NOTE: Lightweight Vinyl upholstery is no longer available; vinyl upholstery may be used as a replacement.

NOTE: After 10/11/16 additional hole was added to the rear corners of the seat upholstery and accommodates all wheelchairs manufactured before 10/12/16 as well. All Crossbrace Seat Rails in the field already have the additional upholstery hole and do not require replacement of Crossbraces.

Nylon Seat Upholstery Kit - 9000XT

Chair Width	16" Depth	17" Depth	18" Depth
14" W	1127529	1130915	1127530
15" W	1130912	1130916	1130923
16" W	1127531	1130917	1127532
17" W	1130913	1130918	1130924
18" W	1127533	1130919	1127534
19" W	1130914	1130920	1130925
20" W	1127535	1130921	1194393
22" W	1127537	1130922	1194394

NOTE: Upholstery color is black.

Vinyl Seat Upholstery Kit - 9000XT

Chair Width	16" Depth	17" Depth	18" Depth
14" W	8881127539	8881130929	8881127540
15" W	8881130926	8881130930	8881130937
16" W	8881127523	8881130931	8881127524
17" W	8881130927	8881130932	8881130938
18" W	8881127525	8881130933	8881194395
19" W	8881130928	8881130934	8881130939
20" W	8881127527	8881130935	8881127528
22" W	8881127547	8881130936	8881194396

NOTE: Specify upholstery color, see category titled, "Frame Finishes, Upholstery Color, Decals and Packaging."

Seat Upholstery and Hardware

If a wheelchair was originally ordered with RS (reinforced seat), please refer to quote SM-100924021021 to order a replacement seat upholstery.

NOTE: Lightweight Vinyl upholstery is no longer available; vinyl upholstery may be used as a replacement.

NOTE: After 10/11/16 additional hole was added to the rear corners of the seat upholstery and accommodates all wheelchairs manufactured before 10/12/16 as well. All Crossbrace Seat Rails in the field already have the additional upholstery hole and do not require replacement of Crossbraces.

Nylon Seat Upholstery Kit - 9000XT Recliner

Chair Width	16" Depth	17" Depth	18" Depth
14" W	1127529	1130915	1127530
16" W	1127531	1130917	1127532
18" W	1127533	1130919	1127534
19" W	1130914	1130920	1130925
20" W	1127535	1130921	1194393
22" W	1127537	1130922	1194394

NOTE: Upholstery color is black.

Vinyl Seat Upholstery Kit - 9000XT Recliner

Chair Width	16" Depth	17" Depth	18" Depth
14" W	8881127539	8881130929	8881127540
16" W	8881127523	8881130931	8881127524
18" W	8881127525	8881130933	8881194395
19" W	8881130928	8881130934	8881130939
20" W	8881127527	8881130935	8881127528
22" W	8881127547	8881130936	8881194396

NOTE: Specify upholstery color, see category titled, "Frame Finishes, Upholstery Colors, Decals and Packaging."

NOTE: 9RC Recliner originally ordered with Black Lightweight Vinyl (U05) must convert to Black Vinyl (U67) as a replacement. New Seat, Back, Headrest Upholstery and Headrest Pillow are required.

Seat Upholstery and Hardware

If a wheelchair was originally ordered with RS (reinforced seat), please refer to quote SM-100924021021 to order a replacement seat upholstery.

NOTE: Lightweight Vinyl upholstery is no longer available; vinyl upholstery may be used as a replacement.

NOTE: After 10/11/16 additional hole was added to the rear corners of the seat upholstery and accommodates all wheelchairs manufactured before 10/12/16 as well. All Crossbrace Seat Rails in the field already have the additional upholstery hole and do not require replacement of Crossbraces.

Hardware for Seat Upholstery - 9000XT and 9000XT Recliner

Part Number	Description	Quantity
1041541 See Note(s) A	Screws w/washers	1 package of 12

NOTE: A - Hardware is not sold individually.

Sail Cloth Seat Upholstery - 9000XT, 9000XDT and 9000XT Recliner

Chair Width	16" Depth	17" Depth	18" Depth	19" Depth	20" Depth
14" W	1194322 See Note(s) A	1031718 See Note(s) A	1031719 See Note(s) A	N/A	N/A
15" W	1031720 See Note(s) A	1031721 See Note(s) A	1031722 See Note(s) A	N/A	N/A
16" W	1194323 See Note(s) A	1194339 See Note(s) A	1194373	1031726 See Note(s) A	1031727 See Note(s) A
17" W	1194324 See Note(s) A	1194359 See Note(s) A	1194374 See Note(s) A	1066436 See Note(s) A	1066437 See Note(s) A
18" W	1194325 See Note(s) A	1194360 See Note(s) A	1194375 See Note(s) A	1031734 See Note(s) A	1031735 See Note(s) A
19" W	1031736 See Note(s) A	1194361 See Note(s) A	1031738 See Note(s) A	1066370 See Note(s) A	1066373 See Note(s) A
20" W	1194377 See Note(s) A	1194362 See Note(s) A	1194376 See Note(s) A	1066371 See Note(s) A	1066374 See Note(s) A
22" W	1031742 See Note(s) A	1194363 See Note(s) A	1031744 See Note(s) A	1066372 See Note(s) A	1066375 See Note(s) A

NOTE: A - Hardware is not included. See chart titled, "Sail Cloth Hardware."

NOTE: Upholstery color is black.

Sail Cloth Upholstery Hardware - 9000XT and 9000XT Recliner

Part Number	Description	Quantity
1194397 See Note(s) A	Screw, Phillips Oval Head w/ Washer (#10-16 x 7/8")	1 package of 14

NOTE: A - Hardware is not sold individually.

Seat Upholstery and Hardware

If a wheelchair was originally ordered with RS (reinforced seat), please refer to quote SM-100924021021 to order a replacement seat upholstery.

NOTE: Lightweight Vinyl upholstery is no longer available; vinyl upholstery may be used as a replacement.

NOTE: After 10/11/16 additional hole was added to the rear corners of the seat upholstery and accommodates all wheelchairs manufactured before 10/12/16 as well. All Crossbrace Seat Rails in the field already have the additional upholstery hole and do not require replacement of Crossbraces.

Sail Cloth Upholstery Hardware - 9000XDT

Part Number	Description	Quantity
1194392 See Note(s) A	14 ea. Screw, Phillips Oval Head (#12-14 x 7/8") 14 ea. Washer (1/4 x 3/4 x 3/32")	1 package of 14 Screws and 14 Washers

NOTE: A - Hardware is not sold individually.

Nylon Seat Upholstery Kit - 9000XDT

Chair Width	16" Depth	17" Depth	18" Depth	19" Depth	20" Depth
16" W	1193638	1130962	1193644	1130969	1130975
17" W	1193639	1130963	1193645	1130970	1130976
18" W	1193640	1130964	1193646	1130971	1127580
19" W	1193641	1130965	1130968	1130972	1130977
20" W	1193642	1130966	1127536	1130973	1127582
22" W	1193643	1130967	1127538	1130974	1127584

NOTE: Upholstery color is black.

Vinyl Seat Upholstery Kit - 9000XDT

Chair Width	16" Depth	17" Depth	18" Depth	19" Depth	20" Depth
16" W	8881193647	8881130980	8881130986	8881130989	8881130995
17" W	8881130978	8881130981	8881130987	8881130990	8881130996
18" W	8881193648	8881130982	8881127512	8881130991	8881127588
19" W	8881130979	8881130983	8881130988	8881130992	8881130997
20" W	8881193649	8881130984	8881135515	8881130993	8881127590
22" W	8881193650	8881130985	8881127591	8881130994	8881127592

NOTE: Specify upholstery color, see category titled, "Frame Finishes, Upholstery Color, Decals and Packaging."

Seat Upholstery and Hardware

If a wheelchair was originally ordered with RS (reinforced seat), please refer to quote SM-100924021021 to order a replacement seat upholstery.

NOTE: Lightweight Vinyl upholstery is no longer available; vinyl upholstery may be used as a replacement.

NOTE: After 10/11/16 additional hole was added to the rear corners of the seat upholstery and accommodates all wheelchairs manufactured before 10/12/16 as well. All Crossbrace Seat Rails in the field already have the additional upholstery hole and do not require replacement of Crossbraces.

Hardware Kit for Seat Upholstery - 9000XDT

Part Number	Description	Quantity Required
1194392 See Note(s) A	14 ea. Screw, Phillips Oval Head (#12-14 x 7/8") 14 ea. Washer (1/4 x 3/4 x 3/32")	1 package of 14 ea. Screws and 14 ea. Washers
NOTE: A - Hardware is not sold individually.		

Nylon Seat Upholstery Kit - 9SL Only

Chair Width	16" Depth	18" Depth
16" W	1127531	1127532
18" W	1127533	1127534
20" W	1127535	1127536
NOTE: Upholstery color is black.		

Vinyl Seat Upholstery Kit - 9SL Only

Chair Width	16" Depth	18" Depth
16" W	8881127523	8881127524
18" W	8881127525	8881194395
20" W	8881127527	8881127528
NOTE: Upholstery color is black.		

Seat Upholstery and Hardware

If a wheelchair was originally ordered with RS (reinforced seat), please refer to quote SM-100924021021 to order a replacement seat upholstery.

NOTE: Lightweight Vinyl upholstery is no longer available; vinyl upholstery may be used as a replacement.

NOTE: After 10/11/16 additional hole was added to the rear corners of the seat upholstery and accommodates all wheelchairs manufactured before 10/12/16 as well. All Crossbrace Seat Rails in the field already have the additional upholstery hole and do not require replacement of Crossbraces.

Hardware for Seat Upholstery - 9SL Only

Part Number	Description	Quantity
1041541 See Note(s) A	Screws w/washers	1 package of 12
NOTE: A - Hardware is not sold individually.		

Headrest Upholstery & Pillow

Recliner Headrest Pillows

Width	Nylon	Vinyl	Lightweight Vinyl
14" W	1115386	8881091676 See Note(s) A	See Note See Note(s) B
16" W	1115387	8881091677 See Note(s) A	See Note See Note(s) B
18" W	1115387	8881091677 See Note(s) A	See Note See Note(s) B
19" W	1119603	8881119604 See Note(s) A	See Note See Note(s) B
20" W	1115388	8881091678 See Note(s) A	See Note See Note(s) B
22" W	1115389	8881091679 See Note(s) A	See Note See Note(s) B

NOTE: A - Specify color when ordering, see category titled, Frame Finishes, Upholstery Colors, Decals, Literature and Packaging.
B - 9RC Recliner originally ordered with Black Lightweight Vinyl (U05) must convert to Black Vinyl (U67) as a replacement. New Seat, Back, Headrest Upholstery and Headrest Pillow are required.

Recliner Headrest Upholstery w/ Hardware

Chair Width	Nylon	Vinyl	Lightweight Vinyl
14" Wide	1127513 See Note(s) B	8881127518 See Note(s) B, A	See Note See Note(s) C
16" Wide	1127514 See Note(s) B	8881127519 See Note(s) B, A	See Note See Note(s) C
18" Wide	1127515 See Note(s) B	8881127520 See Note(s) B, A	See Note See Note(s) C
19" Wide	1130998	8881130999 See Note(s) A	See Note See Note(s) C
20" Wide	1127516 See Note(s) B	8881127521 See Note(s) B, A	See Note See Note(s) C
22" Wide	1127517 See Note(s) B	8881127522 See Note(s) A, B	See Note See Note(s) C

NOTE: A - Specify color when ordering. See category titled, "Frame Finishes, Upholstery Colors, Decals, Literature and Packaging".
B - Includes Headrest Upholstery and (12) each screws and washers.
C - 9RC Recliner originally ordered with Black Lightweight Vinyl (U05) must convert to Black Vinyl (U67) as a replacement. New Seat, Back, Headrest Upholstery and Headrest Pillow are required.

Headrest Upholstery & Pillow

Recliner Headrest Black Extension Tube and Upholstery Kits

Chair Width	Nylon	Vinyl	Lightweight Vinyl
14" Wide	1133389 See Note(s) B	8881133384 See Note(s) B, A	See Note See Note(s) C
16" Wide	1133390 See Note(s) B	8881133385 See Note(s) B, A	See Note See Note(s) C
18" Wide	1133391 See Note(s) B	8881133386 See Note(s) B, A	See Note See Note(s) C
19" Wide	1133394 See Note(s) B	8881133395 See Note(s) B, A	See Note See Note(s) C
20" Wide	1133392 See Note(s) B	8881133387 See Note(s) B, A	See Note See Note(s) C
22" Wide	1133393 See Note(s) B	8881133388 See Note(s) B, A	See Note See Note(s) C

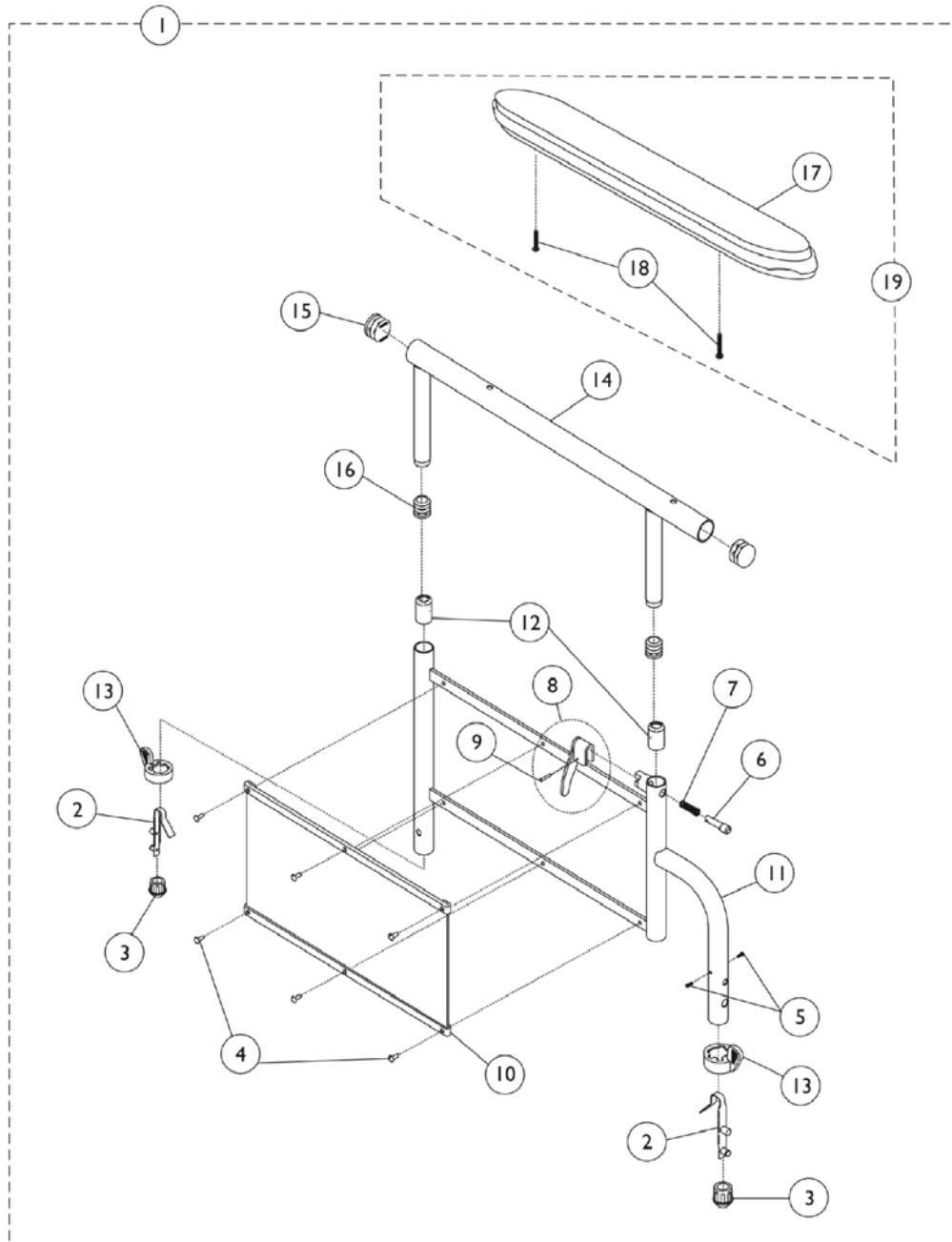
NOTE: A - Specify upholstery color when ordering. See category titled, Frame Finishes, Upholstery Colors, Decals, Literature and Packaging.
 B - Kits includes headrest extension tube, headrest upholstery, recliner pillow and hardware.
 C - 9RC Recliner originally ordered with Black Lightweight Vinyl (U05) must convert to Black Vinyl (U67) as a replacement. New Seat, Back, Headrest Upholstery and Headrest Pillow are required.

Hardware for Headrest Upholstery

Part Number	Description	Quantity Required
1041541 See Note(s) A	Screws w/ washers	1 Pkg of 12

NOTE: A - Hardware is not sold individually.

9000XDT & 9000XT Recliner Conventional Adjustable Height Arms (19JY and 29JY)



9000XDT & 9000XT Recliner Conventional Adjustable Height Arms (19JY and 29JY)

Item Number	Note	Part Number	Description	Quantity Per	
				Package	Assembly
1	A,D	8881130809	Kit, Armrest, Full Length, Black - Right (Style 19JY)	1	1
2			Spring, Torsion with Button Lock	1	2
3			Plug, Armrest, Black (3/4") (18GA)	1	2
4			Rivet	1	6
5			Screw, Phillips Pan Head Tap (#8-32 x 3/8")	1	2
6			Pin, Locking	1	1
7			Spring, Arm Lock	1	1
8			Handle, Lock, Black - Right	1	1
9			Rivet, Tubular	1	1
10			Guard, Clothing	1	1
11			Arm Assembly, Adjustable Height (2" Lower)	1	1
12			Anti-Rattle	1	2
13			Handle, Quad Release	1	2
14			Tube, Armrest, Full Length, Black (2" Lower)	1	1
15			Plug Button, Black (7/8")	1	2
17			NLA - Pad, Arm, Full Length w/ Law Label	1	1
16			Plug Button, Black (5/8")	1	2
18			Package, Screw Phillips Pan Head (#10-32 x 1-1/8")	1	1
4		1028645	Rivet	1	6
10		1068511	Guard, Clothing	1	1
1	A,D	8881130810	Kit, Armrest, Full Length, Black - Left (Style 19JY)	1	1
2			Spring, Torsion with Button Lock	1	2
3			Plug, Armrest, Black (3/4") (18GA)	1	2
4			Rivet	1	6
5			Screw, Phillips Pan Head Tap (#8-32 x 3/8")	1	2
6			Pin, Locking	1	1
7			Spring, Arm Lock	1	1
8			Handle, Lock, Black - Left	1	1
9			Rivet, Tubular	1	1
10			Guard, Clothing	1	1
11			Arm Assembly, Adjustable Height (2" Lower)	1	1
12			Anti-Rattle	1	2
13			Handle, Quad Release	1	2
14			Tube, Armrest, Full Length, Black (2" Lower)	1	1
15			Plug Button, Black (7/8")	1	2
16			Plug Button, Black (5/8")	1	2
17			NLA - Pad, Arm, Full Length w/ Law Label	1	1
18			Package, Screw Phillips Pan Head (#10-32 x 1-1/8")	1	1
4		1028645	Rivet	1	6
10		1068511	Guard, Clothing	1	1
1	A,D	8881130807	Kit, Armrest, Desk Length, Black - Right (Style 29JY)	1	1

9000XDT & 9000XT Recliner Conventional Adjustable Height Arms (19JY and 29JY)

Item Number	Note	Part Number	Description	Quantity Per	
				Package	Assembly
2			Spring, Torsion with Button Lock	1	2
3			Plug, Armrest, Black (3/4") (18GA)	1	2
4			Rivet	1	6
5			Screw, Phillips Pan Head Tap (#8-32 x 3/8")	1	2
6			Pin, Locking	1	1
7			Spring, Arm Lock	1	1
8			Handle, Lock, Black - Right	1	1
9			Rivet, Tubular	1	1
10			Guard, Clothing	1	1
11			Arm Assembly, Adjustable Height (2" Lower)	1	1
12			Anti-Rattle	1	1
13			Handle, Quad Release	1	1
14			Tube, Armrest, Desk Length, Black (2" Lower)	1	1
15			Plug Button, Black (7/8")	1	2
16			Plug Button, Black (5/8")	1	2
17			Arm Pad, Desk Length w/ Law Label	1	1
18			Package, Screw Phillips Pan Head (#10-32 x 1-1/8")	1	2
4		1028645	Rivet	1	6
10		1068511	Guard, Clothing	1	1
1	A,D	8881130808	Kit, Armrest, Desk Length, Black - Left (Style 29JY)	1	1
2			Spring, Torsion with Button Lock	1	2
3			Plug, Armrest, Black (3/4") (18GA)	1	2
4			Rivet	1	6
5			Screw, Phillips Pan Head Tap (#8-32 x 3/8")	1	2
6			Pin, Locking	1	1
7			Spring, Arm Lock	1	1
8			Handle, Lock, Black - Left	1	1
9			Rivet, Tubular	1	1
10			Guard, Clothing	1	1
11			Arm Assembly, Adjustable Height (2" Lower)	1	1
12			Anti-Rattle	1	1
13			Handle, Quad Release	1	1
14			Tube, Armrest, Desk Length, Black (2" Lower)	1	1
15			Plug Button, Black (7/8")	1	2
16			Plug Button, Black (5/8")	1	2
17			Package, Screw Phillips Pan Head (#10-32 x 1-1/8")	1	2
18			Arm Pad, Desk Length w/ Law Label	1	1
4		1028645	Rivet	1	6
10		1068511	Guard, Clothing	1	1
19	B,D	8881127509	Kit, Arm Pad w/Screws - Full Length	1	1
17			NLA - Pad, Arm, Full Length w/ Law Label	1	1
18			Package, Screw Phillips Pan Head (#10-32 x 1-1/8")	1	2

9000XDT & 9000XT Recliner Conventional Adjustable Height Arms (19JY and 29JY)

Item Number	Note	Part Number	Description	Quantity Per	
				Package	Assembly
19	B,D	8881127510	Kit, Arm Pad w/Screws - Desk Length	1	1
17			Arm Pad, Desk Length w/ Law Label	1	1
18			Package, Screw Phillips Pan Head (#10-32 x 1-1/8")	1	2
	C	7100053	Arm Lock Assembly, Black - Right	1	1
			Handle, Lock, Black - Right	1	1
			Rivet, Tubular	1	2
			Pin, Locking	1	2
	C	7100054	Spring, Arm Lock	1	2
			Arm Lock Assembly, Black - Left	1	1
			Handle, Lock, Black - Left	1	1
			Rivet, Tubular	1	2
			Pin, Locking	1	2
			Spring, Arm Lock	1	2

NOTE: A - Includes items 2-18.
 B - Includes items 17 and 18.
 C - Not shown. Includes items 6-9.
 D - Specify upholstery color when ordering. See page titled "Frame Finishes, Upholstery Colors, Decals, Literature and Packaging".

9000SL Non-Removable Conventional Adjustable Height Arms

Item Number	Note	Part Number	Description	Quantity Per	
				Package	Assembly
1	A,G,H	8881130801	Kit, Armrest, Desk Length, Black - Right (Style 29)	1	1
2			Tube, Armrest, Desk Length, Black	1	1
3			Plug Button, Black (7/8")	1	2
4			Plug Button, Black (5/8")	1	2
5			Anti-Rattle	1	2
6			Handle, Lock, Black - Right	1	1
7			Rivet, Tubular	1	1
8			Spring, Arm Lock	1	1
9			Pin, Locking	1	1
10			Arm Base, Black	1	1
11			Screw, Phillips Pan Head Tap (#6-20 x 3/8")	1	2
12			Handle, Quad Release	1	1
13			Spring, Torsion with Button Lock	1	1
14			Plug, Armrest, Black (3/4") (18GA)	1	1
14			Plug, Armrest, Black (3/4") (20GA)	1	1
15			Guard, Clothing	1	1
16			Rivet	1	6
17			NLA - Bolt, Hex Head Cap (1/4-20 x 3/4")	1	1
18			Spacer, Coved (1/4 x 11/16 x 1/2")	1	1
19			Insert, Threaded	1	1
20			Spring, Release	1	1
22			Arm Pad, Desk Length w/ Law Label	1	1
23			Package, Screw Phillips Pan Head (#10-32 x 1-1/8")	1	1
15		1064129	Guard, Clothing	1	1
16		1028645	Rivet	1	6
1	A,G,H	8881130802	Kit, Armrest, Desk Length, Black - Left (Style 29)	1	1
2			Tube, Armrest, Desk Length, Black	1	1
3			Plug Button, Black (7/8")	1	2
4			Plug Button, Black (5/8")	1	2
5			Anti-Rattle	1	2
6			Handle, Lock, Black - Left	1	1
7			Rivet, Tubular	1	1
8			Spring, Arm Lock	1	1
9			Pin, Locking	1	1
10			Arm Base, Black	1	1
11			Screw, Phillips Pan Head Tap (#6-20 x 3/8")	1	2
12			Handle, Quad Release	1	1
13			Spring, Torsion with Button Lock	1	1
14			Plug, Armrest, Black (3/4") (18GA)	1	1
14			Plug, Armrest, Black (3/4") (20GA)	1	1
15			Guard, Clothing	1	1
16			Rivet	1	6
17	NLA - Bolt, Hex Head Cap (1/4-20 x 3/4")	1	1		

9000SL Non-Removable Conventional Adjustable Height Arms

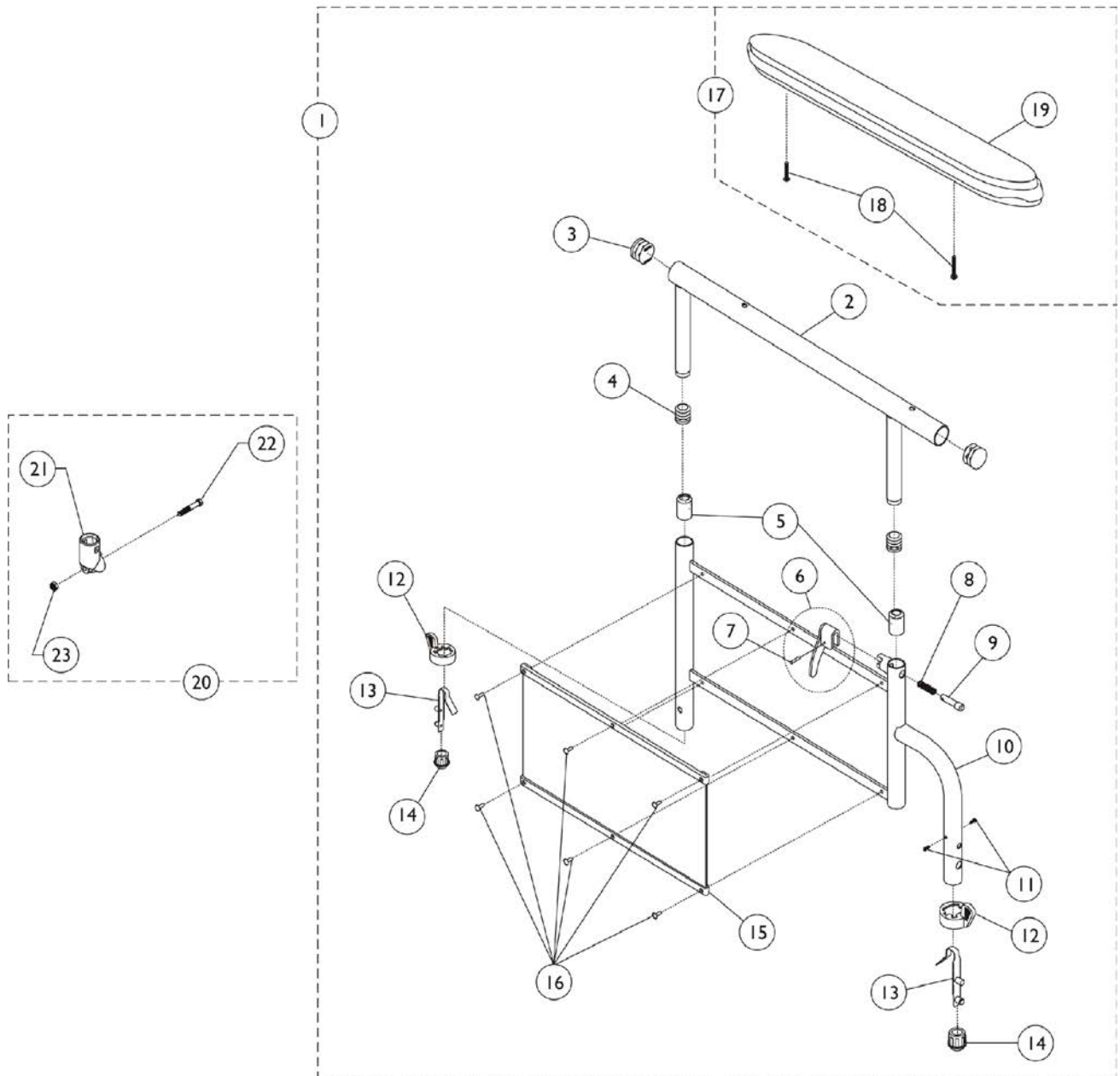
Item Number	Note	Part Number	Description	Quantity Per	
				Package	Assembly
18			Spacer, Coved (1/4 x 11/16 x 1/2")	1	1
19			Insert, Threaded	1	1
20			Spring, Release	1	1
22			Arm Pad, Desk Length w/ Law Label	1	1
23			Package, Screw Phillips Pan Head (#10-32 x 1-1/8")	1	1
15		1064129	Guard, Clothing	1	1
16		1028645	Rivet	1	6
1	A,G,H	8881135524	Kit, Armrest, Full Length, Black - Right (Style 19)	1	1
2			Tube, Armrest, Full Length, Black	1	1
3			Plug Button, Black (7/8")	1	2
4			Plug Button, Black (5/8")	1	2
5			Anti-Rattle	1	2
6			Handle, Lock, Black - Right	1	1
7			Rivet, Tubular	1	1
8			Spring, Arm Lock	1	1
9			Pin, Locking	1	1
10			Arm Base, Black	1	1
11			Screw, Phillips Pan Head Tap (#6-20 x 3/8")	1	2
12			Handle, Quad Release	1	1
13			Spring, Torsion with Button Lock	1	1
14			Plug, Armrest, Black (3/4") (18GA)	1	1
14			Plug, Armrest, Black (3/4") (20GA)	1	2
15			Guard, Clothing	1	1
16			Rivet	1	6
17			NLA - Bolt, Hex Head Cap (1/4-20 x 3/4")	1	1
18			Spacer, Coved (1/4 x 11/16 x 1/2")	1	1
19			Insert, Threaded	1	1
20			Spring, Release	1	1
22			NLA - Pad, Arm, Full Length w/ Law Label	1	1
23			Package, Screw Phillips Pan Head (#10-32 x 1-1/8")	1	2
15		1064129	Guard, Clothing	1	1
16		1028645	Rivet	1	6
1	A,G,H	8881135525	Kit, Armrest, Full Length, Black - Left (Style 19)	1	1
2			Tube, Armrest, Full Length, Black	1	1
3			Plug Button, Black (7/8")	1	2
4			Plug Button, Black (5/8")	1	2
5			Anti-Rattle	1	2
6			Handle, Lock, Black - Left	1	1
7			Rivet, Tubular	1	1
8			Spring, Arm Lock	1	1
9			Pin, Locking	1	1
10			Arm Base, Black	1	1
11			Screw, Phillips Pan Head Tap (#6-20 x 3/8")	1	2

9000SL Non-Removable Conventional Adjustable Height Arms

Item Number	Note	Part Number	Description	Quantity Per	
				Package	Assembly
12			Handle, Quad Release	1	1
13			Spring, Torsion with Button Lock	1	1
14			Plug, Armrest, Black (3/4") (18GA)	1	1
14			Plug, Armrest, Black (3/4") (20GA)	1	2
15			Guard, Clothing	1	1
16			Rivet	1	6
17			NLA - Bolt, Hex Head Cap (1/4-20 x 3/4")	1	1
18			Spacer, Coved (1/4 x 11/16 x 1/2")	1	1
19			Insert, Threaded	1	1
20			Spring, Release	1	1
22			NLA - Pad, Arm, Full Length w/ Law Label	1	1
23			Package, Screw Phillips Pan Head (#10-32 x 1-1/8")	1	2
15		1064129	Guard, Clothing	1	1
16		1028645	Rivet	1	6
21	B,G	8881127510	Kit, Arm Pad w/Screws - Desk Length	1	1
22			Arm Pad, Desk Length w/ Law Label	1	1
23			Package, Screw Phillips Pan Head (#10-32 x 1-1/8")	1	2
21	B,G	8881127509	Kit, Arm Pad w/Screws - Full Length	1	1
22			NLA - Pad, Arm, Full Length w/ Law Label	1	1
23			Package, Screw Phillips Pan Head (#10-32 x 1-1/8")	1	2
24	C	1058139	Kit, Armrest Hardware	1	1
25			Cup, Socket Pivot	1	1
26			NLA - Screw, Hex Head (1/4-20 x 1-3/8")	1	1
27			Locknut (1/4-20)	1	1
	F	7100053	Arm Lock Assembly, Black - Right	1	1
			Handle, Lock, Black - Right	1	1
			Rivet, Tubular	1	2
			Pin, Locking	1	2
			Spring, Arm Lock	1	2
	F	7100054	Arm Lock Assembly, Black - Left	1	1
			Handle, Lock, Black - Left	1	1
			Rivet, Tubular	1	2
			Pin, Locking	1	2
			Spring, Arm Lock	1	2

NOTE: A - Includes items 2-23.
 B - Includes items 22 and 23.
 C - Includes items 25-27.
 F - Not shown. Includes items 6-9.
 G - Specify upholstery color when ordering. See page titled "Frame Finishes, Upholstery Colors, Decals, Literature and Packaging".
 H - Item #14 Plug Button for 18GA Tubing used in front only.

9000SL Removable Conventional Adjustable Height Arms



9000SL Removable Conventional Adjustable Height Arms

Item Number	Note	Part Number	Description	Quantity Per	
				Package	Assembly
1	A,G,H	8881130797	Kit, Armrest, Full Length, Black - Right (Style 19)	1	1
2			Tube, Armrest, Full Length, Black	1	1
3			Plug Button, Black (7/8")	1	2
4			Plug Button, Black (5/8")	1	2
5			Anti-Rattle	1	2
6			Handle, Lock, Black - Right	1	1
7			Rivet, Tubular	1	1
8			Spring, Arm Lock	1	1
9			Pin, Locking	1	1
10			Arm Base, Black	1	1
11			Screw, Phillips Pan Head Tap (#6-20 x 3/8")	1	2
12			Handle, Quad Release	1	2
13			Spring, Torsion with Button Lock	1	2
14			Plug, Armrest, Black (3/4") (18GA)	1	1
14			Plug, Armrest, Black (3/4") (20GA)	1	1
15			Guard, Clothing	1	1
16			Rivet	1	6
18			Package, Screw Phillips Pan Head (#10-32 x 1-1/8")	2	1
19			NLA - Pad, Arm, Full Length w/ Law Label	1	1
15			A,G,H	1064129	Guard, Clothing
16	1028645	Rivet		1	6
1	8881130798	Kit, Armrest, Full Length, Black - Left (Style 19)		1	1
2		Tube, Armrest, Full Length, Black		1	1
3		Plug Button, Black (7/8")		1	2
4		Plug Button, Black (5/8")		1	2
5		Anti-Rattle		1	2
6		Handle, Lock, Black - Left		1	1
7		Rivet, Tubular		1	1
8		Spring, Arm Lock		1	1
9		Pin, Locking	1	1	
10		Arm Base, Black	1	1	
11	Screw, Phillips Pan Head Tap (#6-20 x 3/8")	1	2		
12	Handle, Quad Release	1	2		
13	Spring, Torsion with Button Lock	1	2		
14	Plug, Armrest, Black (3/4") (18GA)	1	1		
14	Plug, Armrest, Black (3/4") (20GA)	1	1		
15	Guard, Clothing	1	1		
16	Rivet	1	6		
18	Package, Screw Phillips Pan Head (#10-32 x 1-1/8")	2	1		
19	NLA - Pad, Arm, Full Length w/ Law Label	1	1		
15	A,G,H	1064129	Guard, Clothing	1	1
16		1028645	Rivet	1	6
1	A,G,H	8881135520	Kit, Armrest, Desk Length, Black - Right (Style 29)	1	1
2			Tube, Armrest, Desk Length, Black	1	1

9000SL Removable Conventional Adjustable Height Arms

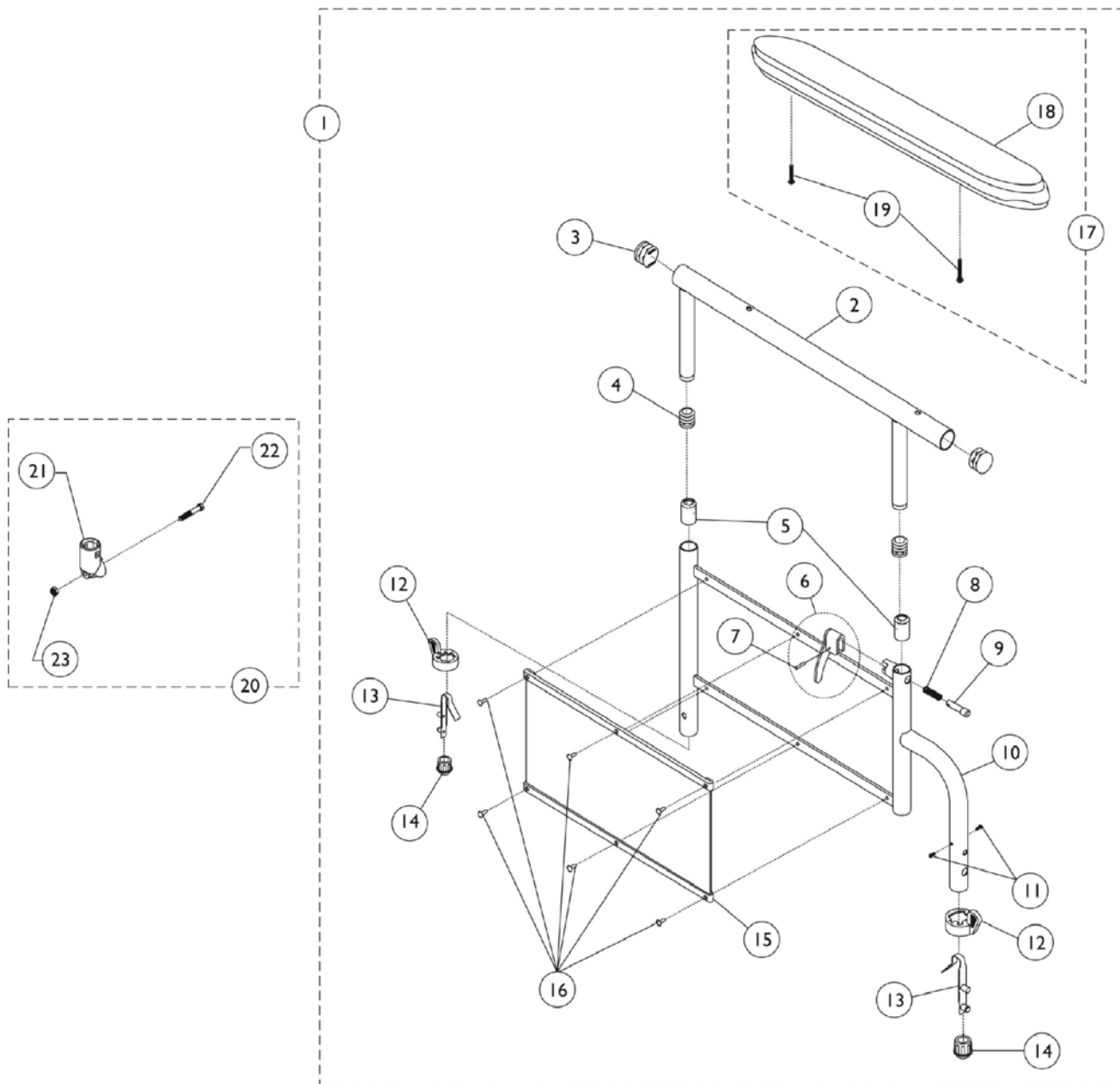
Item Number	Note	Part Number	Description	Quantity Per	
				Package	Assembly
3			Plug Button, Black (7/8")	1	2
4			Plug Button, Black (5/8")	1	2
5			Anti-Rattle	1	2
6			Handle, Lock, Black - Right	1	1
7			Rivet, Tubular	1	1
8			Spring, Arm Lock	1	1
9			Pin, Locking	1	1
10			Arm Base, Black	1	1
11			Screw, Phillips Pan Head Tap (#6-20 x 3/8")	1	2
12			Handle, Quad Release	1	2
13			Spring, Torsion with Button Lock	1	2
14			Plug, Armrest, Black (3/4") (18GA)	1	1
14			Plug, Armrest, Black (3/4") (20GA)	1	1
15			Guard, Clothing	1	1
16			Rivet	1	6
18			Package, Screw Phillips Pan Head (#10-32 x 1-1/8")	2	1
19			Arm Pad, Desk Length w/ Law Label	1	1
15		1064129	Guard, Clothing	1	1
16		1028645	Rivet	1	6
1	A,G,H	8881135521	Kit, Armrest, Desk Length, Black - Left (Style 29)	1	1
2			Tube, Armrest, Desk Length, Black	1	1
3			Plug Button, Black (7/8")	1	2
4			Plug Button, Black (5/8")	1	2
5			Anti-Rattle	1	2
6			Handle, Lock, Black - Left	1	1
7			Rivet, Tubular	1	1
8			Spring, Arm Lock	1	1
9			Pin, Locking	1	1
10			Arm Base, Black	1	1
11			Screw, Phillips Pan Head Tap (#6-20 x 3/8")	1	2
12			Handle, Quad Release	1	2
13			Spring, Torsion with Button Lock	1	2
14			Plug, Armrest, Black (3/4") (18GA)	1	1
14			Plug, Armrest, Black (3/4") (20GA)	1	1
15			Guard, Clothing	1	1
16			Rivet	1	6
18			Package, Screw Phillips Pan Head (#10-32 x 1-1/8")	2	1
19			Arm Pad, Desk Length w/ Law Label	1	1
15		1064129	Guard, Clothing	1	1
16		1028645	Rivet	1	6
17	B,G	8881127509	Kit, Arm Pad w/Screws - Full Length	1	1
18			Package, Screw Phillips Pan Head (#10-32 x 1-1/8")	2	1
19			NLA - Pad, Arm, Full Length w/ Law Label	1	1
17	B,G	8881127510	Kit, Arm Pad w/Screws - Desk Length	1	1

9000SL Removable Conventional Adjustable Height Arms

Item Number	Note	Part Number	Description	Quantity Per	
				Package	Assembly
18			Package, Screw Phillips Pan Head (#10-32 x 1-1/8")	2	1
19			Arm Pad, Desk Length w/ Law Label	1	1
20	C	1058139	Kit, Armrest Hardware	1	1
21			Cup, Socket Pivot	1	1
22			NLA - Screw, Hex Head (1/4-20 x 1-3/8")	1	1
23			Locknut (1/4-20)	1	1
	F	7100053	Arm Lock Assembly, Black - Right	1	1
			Handle, Lock, Black - Right	1	1
			Rivet, Tubular	1	2
			Pin, Locking	1	2
			Spring, Arm Lock	1	2
	F	7100054	Arm Lock Assembly, Black - Left	1	1
			Handle, Lock, Black - Left	1	1
			Rivet, Tubular	1	2
			Pin, Locking	1	2
			Spring, Arm Lock	1	2

NOTE: A - Includes items 2-19.
 B - Includes items 18 and 19.
 C - Includes 21-23.
 F - Not Shown. Includes items 6-9.
 G - Specify upholstery color when ordering. See page titled "Frame Finishes, Upholstery Colors, Decals, Literature and Packaging".
 H - Item #14 Plug Button for 18GA Tubing used in front only.

9000XT & 9000XDT Removable Conventional Adjustable Height Arms



9000XT & 9000XDT Removable Conventional Adjustable Height Arms

Item Number	Note	Part Number	Description	Quantity Per	
				Package	Assembly
1	A,D,H	8881130795	Kit, Armrest, Desk Length, Color - Right (Style 29)	1	1
2			Tube, Armrest, Desk Length, Black	1	1
3			Plug Button, Black (7/8")	1	2
4			Plug Button, Black (5/8")	1	2
5			Anti-Rattle	1	2
6			Handle, Lock, Black - Right	1	1
7			Rivet, Tubular	1	1
8			Spring, Arm Lock	1	1
9			Pin, Locking	1	1
10			Arm Base, Color	1	1
11			Screw, Phillips Pan Head Tap (#6-20 x 3/8")	1	2
12			Handle, Quad Release	1	2
13			Spring, Torsion with Button Lock	1	2
14			Plug, Armrest, Black (3/4") (18GA)	1	1
14			Plug, Armrest, Black (3/4") (20GA)	1	1
15			Guard, Clothing	1	1
16			Rivet	1	6
18			Arm Pad, Desk Length w/ Law Label	1	1
19			Package, Screw Phillips Pan Head (#10-32 x 1-1/8")	1	2
15		1064129	Guard, Clothing	1	1
16		1028645	Rivet	1	6
1	A,D,H	8881130796	Kit, Armrest, Desk Length, Color - Left (Style 29)	1	1
2			Tube, Armrest, Desk Length, Black	1	1
3			Plug Button, Black (7/8")	1	1
4			Plug Button, Black (5/8")	1	1
5			Anti-Rattle	1	2
6			Handle, Lock, Black - Left	1	1
7			Rivet, Tubular	1	1
8			Spring, Arm Lock	1	1
9			Pin, Locking	1	1
10			Arm Base, Color	1	1
11			Screw, Phillips Pan Head Tap (#6-20 x 3/8")	1	2
12			Handle, Quad Release	1	2
13			Spring, Torsion with Button Lock	1	2
14			Plug, Armrest, Black (3/4") (18GA)	1	1
14			Plug, Armrest, Black (3/4") (20GA)	1	1
15			Guard, Clothing	1	1
16			Rivet	1	6
18			Arm Pad, Desk Length w/ Law Label	1	1
19			Package, Screw Phillips Pan Head (#10-32 x 1-1/8")	1	2
15		1064129	Guard, Clothing	1	1
16		1028645	Rivet	1	6
1	A,D,H	8881125214	Kit, Armrest, Full Length, Color - Right (Style 19)	1	1

9000XT & 9000XDT Removable Conventional Adjustable Height Arms

Item Number	Note	Part Number	Description	Quantity Per	
				Package	Assembly
2			Tube, Armrest, Full Length, Black	1	1
3			Plug Button, Black (7/8")	1	2
4			Plug Button, Black (5/8")	1	2
5			Anti-Rattle	1	2
6			Handle, Lock, Black - Right	1	1
7			Rivet, Tubular	1	1
8			Spring, Arm Lock	1	1
9			Pin, Locking	1	1
10			Arm Base, Color	1	1
11			Screw, Phillips Pan Head Tap (#6-20 x 3/8")	1	2
12			Handle, Quad Release	1	2
13			Spring, Torsion with Button Lock	1	2
14			Plug, Armrest, Black (3/4") (18GA)	1	1
14			Plug, Armrest, Black (3/4") (20GA)	1	1
15			Guard, Clothing	1	1
16			Rivet	1	6
18			NLA - Pad, Arm, Full Length w/ Law Label	1	1
19			Package, Screw Phillips Pan Head (#10-32 x 1-1/8")	1	2
15		1064129	Guard, Clothing	1	1
16		1028645	Rivet	1	6
1	A,D,H	8881125215	Kit, Armrest, Full Length, Color - Left (Style 19)	1	1
2			Tube, Armrest, Full Length, Black	1	1
3			Plug Button, Black (7/8")	1	2
4			Plug Button, Black (5/8")	1	2
5			Anti-Rattle	1	2
6			Handle, Lock, Black - Left	1	1
7			Rivet, Tubular	1	1
8			Spring, Arm Lock	1	1
9			Pin, Locking	1	1
10			Arm Base, Color	1	1
11			Screw, Phillips Pan Head Tap (#6-20 x 3/8")	1	2
12			Handle, Quad Release	1	2
13			Spring, Torsion with Button Lock	1	2
14			Plug, Armrest, Black (3/4") (18GA)	1	1
14			Plug, Armrest, Black (3/4") (20GA)	1	1
15			Guard, Clothing	1	1
16			Rivet	1	6
18			NLA - Pad, Arm, Full Length w/ Law Label	1	1
19			Package, Screw Phillips Pan Head (#10-32 x 1-1/8")	1	2
15		1064129	Guard, Clothing	1	1
16		1028645	Rivet	1	6
1	A,G	8881130799-NL A	NLA - Kit, Armrest, Full Length, Chrome - Right (Style 19)	1	1

9000XT & 9000XDT Removable Conventional Adjustable Height Arms

Item Number	Note	Part Number	Description	Quantity Per	
				Package	Assembly
2			Tube, Arm, Full Length, Black	1	1
3			Plug Button, Black (7/8")	1	2
4			Plug Button, Black (5/8")	1	2
5			Anti-Rattle	1	2
6			Handle, Lock, Black - Right	1	1
7			Rivet, Tubular	1	1
8			Spring, Arm Lock	1	1
9			Pin, Locking	1	1
10			Arm Base, Chrome	1	1
11			Screw, Phillips Pan Head Tap (#6-20 x 3/8")	1	2
12			Handle, Quad Release	1	2
13			Spring, Torsion with Button Lock	1	2
14			Plug, Armrest, Black (3/4") (20GA)	1	2
15			Guard, Clothing	1	1
16			Rivet	1	6
18			NLA - Pad, Arm, Full Length w/ Law Label	1	1
19			Package, Screw Phillips Pan Head (#10-32 x 1-1/8")	1	2
15		1064129	Guard, Clothing	1	1
16		1028645	Rivet	1	6
1	A,G	8881130800-NL A	NLA - Kit, Armrest, Full Length, Chrome - Left (Style 19)	1	1
2			Tube, Arm, Full Length, Black	1	1
3			Plug Button, Black (7/8")	1	2
4			Plug Button, Black (5/8")	1	2
5			Anti-Rattle	1	2
6			Handle, Lock, Black - Left	1	1
7			Rivet, Tubular	1	1
8			Spring, Arm Lock	1	1
9			Pin, Locking	1	1
10			Arm Base, Chrome	1	1
11			Screw, Phillips Pan Head Tap (#6-20 x 3/8")	1	2
12			Handle, Quad Release	1	2
13			Spring, Torsion with Button Lock	1	2
14			Plug, Armrest, Black (3/4") (20GA)	1	2
15			Guard, Clothing	1	1
16			Rivet	1	6
18			NLA - Pad, Arm, Full Length w/ Law Label	1	1
19			Package, Screw Phillips Pan Head (#10-32 x 1-1/8")	1	2
15		1064129	Guard, Clothing	1	1
16		1028645	Rivet	1	6
1	A,G,H	8881135522-NL A	NLA - Kit, Armrest, Desk Length, Chrome - Right (Style 29)	1	1
2			Tube, Arm, Desk Length, Black	1	1

9000XT & 9000XDT Removable Conventional Adjustable Height Arms

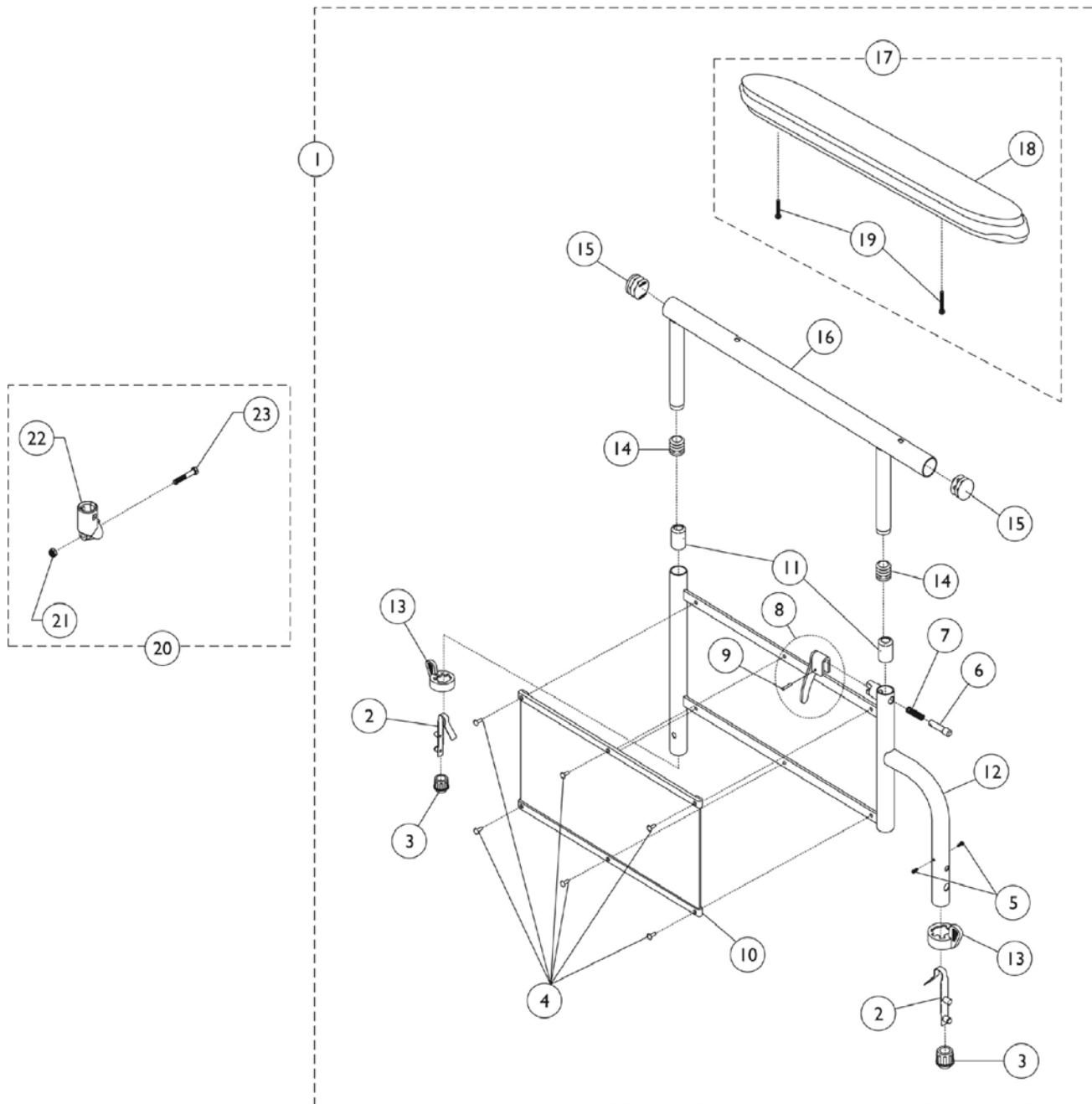
Item Number	Note	Part Number	Description	Quantity Per	
				Package	Assembly
3			Plug Button, Black (7/8")	1	2
4			Plug Button, Black (5/8")	1	2
5			Anti-Rattle	1	2
6			Handle, Lock, Black - Right	1	1
7			Rivet, Tubular	1	1
8			Spring, Arm Lock	1	1
9			Pin, Locking	1	1
10			Arm Base, Chrome	1	1
11			Screw, Phillips Pan Head Tap (#6-20 x 3/8")	1	2
12			Handle, Quad Release	1	2
13			Spring, Torsion with Button Lock	1	2
14			Plug, Armrest, Black (3/4") (18GA)	1	1
14			Plug, Armrest, Black (3/4") (20GA)	1	1
15			Guard, Clothing	1	1
16			Rivet	1	6
18			Arm Pad, Desk Length w/ Law Label	1	1
19			Package, Screw Phillips Pan Head (#10-32 x 1-1/8")	1	2
15		1064129	Guard, Clothing	1	1
16		1028645	Rivet	1	6
1	A,G,H	8881135523-NL A	NLA - Kit, Armrest, Desk Length, Chrome - Left (Style 29)	1	1
2			Tube, Arm, Desk Length, Black	1	1
3			Plug Button, Black (7/8")	1	2
4			Plug Button, Black (5/8")	1	2
5			Anti-Rattle	1	2
6			Handle, Lock, Black - Left	1	1
7			Rivet, Tubular	1	1
8			Spring, Arm Lock	1	1
9			Pin, Locking	1	1
10			Arm Base, Chrome	1	1
11			Screw, Phillips Pan Head Tap (#6-20 x 3/8")	1	2
12			Handle, Quad Release	1	2
13			Spring, Torsion with Button Lock	1	2
14			Plug, Armrest, Black (3/4") (18GA)	1	1
14			Plug, Armrest, Black (3/4") (20GA)	1	2
15			Guard, Clothing	1	1
16			Rivet	1	6
18			Arm Pad, Desk Length w/ Law Label	1	1
19			Package, Screw Phillips Pan Head (#10-32 x 1-1/8")	1	2
15		1064129	Guard, Clothing	1	1
16		1028645	Rivet	1	6
17	B,G	8881127509	Kit, Arm Pad w/Screws - Full Length	1	1
18			NLA - Pad, Arm, Full Length w/ Law Label	1	1

9000XT & 9000XDT Removable Conventional Adjustable Height Arms

Item Number	Note	Part Number	Description	Quantity Per	
				Package	Assembly
19			Package, Screw Phillips Pan Head (#10-32 x 1-1/8")	1	2
17	B,G	8881127510	Kit, Arm Pad w/Screws - Desk Length	1	1
18			Arm Pad, Desk Length w/ Law Label	1	1
19			Package, Screw Phillips Pan Head (#10-32 x 1-1/8")	1	2
20	C	1058139	Kit, Armrest Hardware	1	1
21			Cup, Socket Pivot	1	1
22			NLA - Screw, Hex Head (1/4-20 x 1-3/8")	1	1
23			Locknut (1/4-20)	1	1
	F	7100053	Arm Lock Assembly, Black - Right	1	1
			Handle, Lock, Black - Right	1	1
			Rivet, Tubular	1	2
			Pin, Locking	1	2
			Spring, Arm Lock	1	2
	F	7100054	Arm Lock Assembly, Black - Left	1	1
			Handle, Lock, Black - Left	1	1
			Rivet, Tubular	1	2
			Pin, Locking	1	2
			Spring, Arm Lock	1	2

NOTE: A - Includes items 2-19.
 B - Includes items 18 and 19.
 C - Includes items 21-23.
 D - Specify frame finish and upholstery color when ordering, see category titled, "Frame Finishes, Upholstery Colors, Decals and Packaging."
 F - Not shown. Includes items 6-9.
 G - Specify upholstery color when ordering, see category titled, "Frame Finishes, Upholstery Colors, Decals and Packaging."
 H - Item #14 Plug Button for 18GA Tubing used in front only.

9000XT Recliner Removable Conventional Adjustable Height Arms



9000XT Recliner Removable Conventional Adjustable Height Arms

Item Number	Note	Part Number	Description	Quantity Per	
				Package	Assembly
1	A,D,H	8881135530	Kit, Armrest, Desk Length, Color - Right (Style 29)	1	1
2			Spring, Torsion with Button Lock	1	2
3			Plug, Armrest, Black (3/4") (18GA)	1	1
3			Plug, Armrest, Black (3/4") (20GA)	1	1
4			Rivet	1	6
5			Screw, Phillips Pan Head Tap (#6-20 x 3/8")	1	2
6			Pin, Locking	1	1
7			Spring, Arm Lock	1	1
8			Handle, Lock, Black - Right	1	1
9			Rivet, Tubular	1	1
10			Guard, Clothing	1	1
11			Anti-Rattle	1	2
12			Arm Base, Color	1	1
13			Handle, Quad Release	1	2
14			Plug Button, Black (7/8")	1	2
15			Plug Button, Black (5/8")	1	2
16			Tube, Armrest, Desk Length, Black	1	1
18			Arm Pad, Desk Length w/ Law Label	1	1
19			Package, Screw Phillips Pan Head (#10-32 x 1-1/8")	1	2
4		1028645	Rivet	1	6
10		1064129	Guard, Clothing	1	1
1	A,D,H	8881135531	Kit, Armrest, Desk Length, Color - Left (Style 29)	1	1
2			Spring, Torsion with Button Lock	1	2
3			Plug, Armrest, Black (3/4") (18GA)	1	1
3			Plug, Armrest, Black (3/4") (20GA)	1	2
4			Rivet	1	6
5			Screw, Phillips Pan Head Tap (#6-20 x 3/8")	1	2
6			Pin, Locking	1	1
7			Spring, Arm Lock	1	1
8			Handle, Lock, Black - Left	1	1
9			Rivet, Tubular	1	1
10			Guard, Clothing	1	1
11			Anti-Rattle	1	2
12			Arm Base, Color	1	1
13			Handle, Quad Release	1	2
14			Plug Button, Black (7/8")	1	2
15			Plug Button, Black (5/8")	1	2
16			Tube, Armrest, Desk Length, Black	1	1
18			Arm Pad, Desk Length w/ Law Label	1	1
19			Package, Screw Phillips Pan Head (#10-32 x 1-1/8")	1	2
4		1028645	Rivet	1	6
10		1064129	Guard, Clothing	1	1

9000XT Recliner Removable Conventional Adjustable Height Arms

Item Number	Note	Part Number	Description	Quantity Per	
				Package	Assembly
1	A,G,H	8881135532-NL A	NLA - Kit, Armrest, Desk Length, Chrome - Right (Style 29)	1	1
2			Spring, Torsion with Button Lock	1	2
3			Plug, Armrest, Black (3/4") (18GA)	1	1
3			Plug, Armrest, Black (3/4") (20GA)	1	2
4			Rivet	1	6
5			Screw, Phillips Pan Head Tap (#6-20 x 3/8")	1	2
6			Pin, Locking	1	1
7			Spring, Arm Lock	1	1
8			Handle, Lock, Black - Right	1	1
9			Rivet, Tubular	1	1
10			Guard, Clothing	1	1
11			Anti-Rattle	1	2
12			Arm Base, Chrome	1	1
13			Handle, Quad Release	1	2
14			Plug Button, Black (5/8")	1	2
15			Plug Button, Black (7/8")	1	2
16			Tube, Arm, Desk Length, Black	1	1
18			Arm Pad, Desk Length w/ Law Label	1	1
19			Package, Screw Phillips Pan Head (#10-32 x 1-1/8")	1	2
4		1028645	Rivet	1	6
10		1064129	Guard, Clothing	1	1
1	A,G,H	8881135533-NL A	NLA - Kit, Armrest, Desk Length, Chrome - Left (Style 29)	1	1
2			Spring, Torsion with Button Lock	1	2
3			Plug, Armrest, Black (3/4") (18GA)	1	1
3			Plug, Armrest, Black (3/4") (20GA)	1	1
4			Rivet	1	6
5			Screw, Phillips Pan Head Tap (#6-20 x 3/8")	1	2
6			Pin, Locking	1	1
7			Spring, Arm Lock	1	1
8			Handle, Lock, Black - Left	1	1
9			Rivet, Tubular	1	1
10			Guard, Clothing	1	1
11			Anti-Rattle	1	2
12			Arm Base, Chrome	1	1
13			Handle, Quad Release	1	2
14			Plug Button, Black (5/8")	1	2
15			Plug Button, Black (7/8")	1	2
16			Tube, Arm, Desk Length, Black	1	1
18			Arm Pad, Desk Length w/ Law Label	1	1
19			Package, Screw Phillips Pan Head (#10-32 x 1-1/8")	1	2
4		1028645	Rivet	1	6

9000XT Recliner Removable Conventional Adjustable Height Arms

Item Number	Note	Part Number	Description	Quantity Per	
				Package	Assembly
10		1064129	Guard, Clothing	1	1
1	A,D,H	8881137321	Kit, Armrest, Full Length, Color - Right (Style 19)	1	1
2			Spring, Torsion with Button Lock	1	2
3			Plug, Armrest, Black (3/4") (18GA)	1	1
3			Plug, Armrest, Black (3/4") (20GA)	1	1
4			Rivet	1	6
5			Screw, Phillips Pan Head Tap (#6-20 x 3/8")	1	2
6			Pin, Locking	1	1
7			Spring, Arm Lock	1	1
8			Handle, Lock, Black - Right	1	1
9			Rivet, Tubular	1	1
10			Guard, Clothing	1	1
11			Anti-Rattle	1	2
12			Arm Base, Color	1	1
13			Handle, Quad Release	1	2
14			Plug Button, Black (7/8")	1	2
15			Plug Button, Black (5/8")	1	2
16			Tube, Armrest, Full Length, Black	1	1
18			NLA - Pad, Arm, Full Length w/ Law Label	1	1
19			Package, Screw Phillips Pan Head (#10-32 x 1-1/8")	1	2
4		1028645	Rivet	1	6
10		1064129	Guard, Clothing	1	1
1	A,D,H	8881137322	Kit, Armrest, Full Length, Color - Left (Style 19)	1	1
2			Spring, Torsion with Button Lock	1	2
3			Plug, Armrest, Black (3/4") (18GA)	1	1
3			Plug, Armrest, Black (3/4") (20GA)	1	2
4			Rivet	1	6
5			Screw, Phillips Pan Head Tap (#6-20 x 3/8")	1	2
6			Pin, Locking	1	1
7			Spring, Arm Lock	1	1
8			Handle, Lock, Black - Left	1	1
9			Rivet, Tubular	1	1
10			Guard, Clothing	1	1
11			Anti-Rattle	1	2
12			Arm Base, Color	1	1
13			Handle, Quad Release	1	2
14			Plug Button, Black (7/8")	1	2
15			Plug Button, Black (5/8")	1	2
16			Tube, Armrest, Full Length, Black	1	1
18			NLA - Pad, Arm, Full Length w/ Law Label	1	1
19			Package, Screw Phillips Pan Head (#10-32 x 1-1/8")	1	1
4		1028645	Rivet	1	6
10		1064129	Guard, Clothing	1	1

9000XT Recliner Removable Conventional Adjustable Height Arms

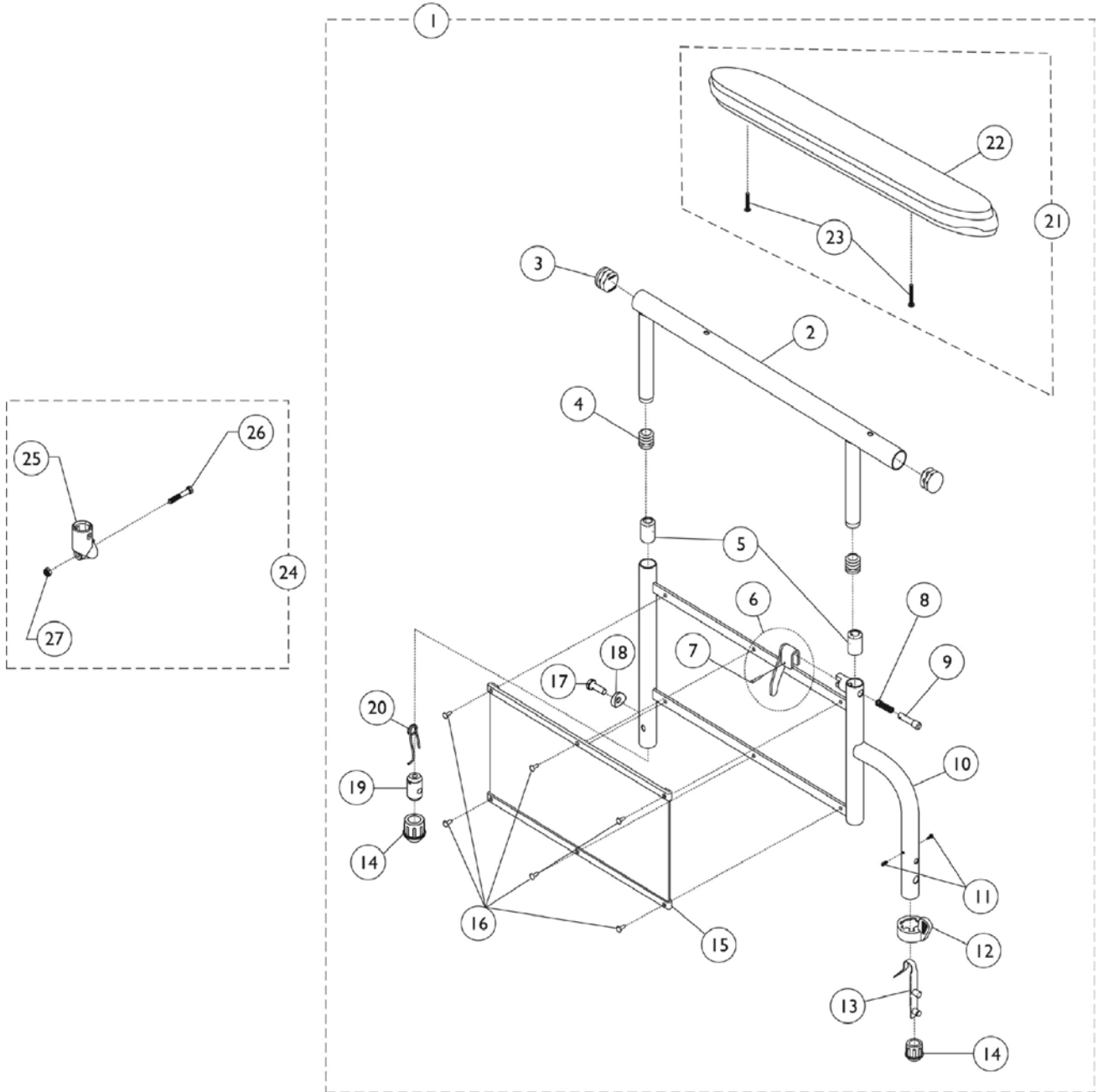
Item Number	Note	Part Number	Description	Quantity Per	
				Package	Assembly
1	A,G,H	8881135534-NL A	NLA - Kit, Armrest, Full Length, Chrome - Right (Style 19)	1	1
2			Spring, Torsion with Button Lock	1	2
3			Plug, Armrest, Black (3/4") (18GA)	1	1
3			Plug, Armrest, Black (3/4") (20GA)	1	1
4			Rivet	1	6
5			Screw, Phillips Pan Head Tap (#6-20 x 3/8")	1	2
6			Pin, Locking	1	1
7			Spring, Arm Lock	1	1
8			Handle, Lock, Black - Right	1	1
9			Rivet, Tubular	1	1
10			Guard, Clothing	1	1
11			Anti-Rattle	1	2
12			Arm Base, Chrome	1	1
13			Handle, Quad Release	1	2
14			Plug Button, Black (7/8")	1	2
15			Plug Button, Black (5/8")	1	2
16			Tube, Arm, Full Length, Black	1	1
18			NLA - Pad, Arm, Full Length w/ Law Label	1	1
19			Package, Screw Phillips Pan Head (#10-32 x 1-1/8")	1	2
4		1028645	Rivet	1	6
10		1064129	Guard, Clothing	1	1
1	A,G,H	8881135535-NL A	NLA - Kit, Armrest, Full Length, Chrome - Left (Style 19)	1	1
2			Spring, Torsion with Button Lock	1	2
3			Plug, Armrest, Black (3/4") (18GA)	1	1
3			Plug, Armrest, Black (3/4") (20GA)	1	1
4			Rivet	1	6
5			Screw, Phillips Pan Head Tap (#6-20 x 3/8")	1	2
6			Pin, Locking	1	1
7			Spring, Arm Lock	1	1
8			Handle, Lock, Black - Left	1	1
9			Rivet, Tubular	1	1
10			Guard, Clothing	1	1
11			Anti-Rattle	1	2
12			Arm Base, Chrome	1	1
13			Handle, Quad Release	1	2
14			Plug Button, Black (7/8")	1	2
15			Plug Button, Black (5/8")	1	2
16			Tube, Arm, Full Length, Black	1	1
18			NLA - Pad, Arm, Full Length w/ Law Label	1	1
19			Package, Screw Phillips Pan Head (#10-32 x 1-1/8")	1	2
4		1028645	Rivet	1	6

9000XT Recliner Removable Conventional Adjustable Height Arms

Item Number	Note	Part Number	Description	Quantity Per	
				Package	Assembly
10		1064129	Guard, Clothing	1	1
17	B,G	8881127509	Kit, Arm Pad w/Screws - Full Length	1	1
18			NLA - Pad, Arm, Full Length w/ Law Label	1	1
19			Package, Screw Phillips Pan Head (#10-32 x 1-1/8")	1	2
17	B,G	8881127510	Kit, Arm Pad w/Screws - Desk Length	1	1
18			Arm Pad, Desk Length w/ Law Label	1	1
19			Package, Screw Phillips Pan Head (#10-32 x 1-1/8")	1	2
20	C	1058139	Kit, Armrest Hardware	1	1
21			Locknut (1/4-20)	1	1
22			Cup, Socket Pivot	1	1
23			NLA - Screw, Hex Head (1/4-20 x 1-3/8")	1	1
	E,F	7100053	Arm Lock Assembly, Black - Right	1	1
			Handle, Lock, Black - Right	1	1
			Rivet, Tubular	1	2
			Pin, Locking	1	2
			Spring, Arm Lock	1	2
	E,F	7100054	Arm Lock Assembly, Black - Left	1	1
			Handle, Lock, Black - Left	1	1
			Rivet, Tubular	1	2
			Pin, Locking	1	2
			Spring, Arm Lock	1	2

NOTE: A - Includes items 2-19.
 B - Includes items 18 and 19.
 C - Includes items 21-23.
 D - Specify frame finish and upholstery color when ordering, see category titled, "Frame Finishes, Upholstery Colors, Decals and Packaging."
 E - Not shown.
 F - Includes items 6-9.
 G - Specify upholstery color when ordering, see category titled, "Frame Finishes, Upholstery Colors, Decals and Packaging."
 H - Item #3 Plug Button for 18GA Tubing used in front only.

9000XT, 9000XDT & 9000XT Recliner Non-Removable Conventional Adjustable Height Arms



9000XT, 9000XDT & 9000XT Recliner Non-Removable Conventional Adjustable Height Arms

Item Number	Note	Part Number	Description	Quantity Per	
				Package	Assembly
1	A,B,I	8881130803	Kit, Armrest, Desk Length, Color - Right (Style 29)	1	1
2			Tube, Armrest, Desk Length, Black	1	1
3			Plug Button, Black (7/8")	1	2
4			Plug Button, Black (5/8")	1	2
5			Anti-Rattle	1	2
6			Handle, Lock, Black - Right	1	1
7			Rivet, Tubular	1	1
8			Spring, Arm Lock	1	1
9			Pin, Locking	1	1
10			Arm Base, Color	1	1
11			Screw, Phillips Pan Head Tap (#6-20 x 3/8")	1	2
12			Handle, Quad Release	1	1
13			Spring, Torsion with Button Lock	1	1
14			Plug, Armrest, Black (3/4") (18GA)	1	1
14			Plug, Armrest, Black (3/4") (20GA)	1	1
15			Guard, Clothing	1	1
16			Rivet	1	6
17			NLA - Bolt, Hex Head Cap (1/4-20 x 3/4")	1	1
18			Spacer, Coved (1/4 x 11/16 x 1/2")	1	1
19			Insert, Threaded	1	1
20			Spring, Release	1	1
22			Arm Pad, Desk Length w/ Law Label	1	1
23			Package, Screw Phillips Pan Head (#10-32 x 1-1/8")	1	2
15		1064129	Guard, Clothing	1	1
16		1028645	Rivet	1	6
1	A,B,I	8881130804	Kit, Armrest, Desk Length, Color - Left (Style 29)	1	1
2			Tube, Armrest, Desk Length, Black	1	1
3			Plug Button, Black (7/8")	1	2
4			Plug Button, Black (5/8")	1	2
5			Anti-Rattle	1	2
6			Handle, Lock, Black - Left	1	1
7			Rivet, Tubular	1	1
8			Spring, Arm Lock	1	1
9			Pin, Locking	1	1
10			Arm Base, Color	1	1
11			Screw, Phillips Pan Head Tap (#6-20 x 3/8")	1	2
12			Handle, Quad Release	1	1
13			Spring, Torsion with Button Lock	1	1
14			Plug, Armrest, Black (3/4") (18GA)	1	1
14			Plug, Armrest, Black (3/4") (20GA)	1	1
15			Guard, Clothing	1	1
16			Rivet	1	6
17	NLA - Bolt, Hex Head Cap (1/4-20 x 3/4")	1	1		

9000XT, 9000XDT & 9000XT Recliner Non-Removable Conventional Adjustable Height Arms

Item Number	Note	Part Number	Description	Quantity Per	
				Package	Assembly
18			Spacer, Coved (1/4 x 11/16 x 1/2")	1	1
19			Insert, Threaded	1	1
20			Spring, Release	1	1
22			Arm Pad, Desk Length w/ Law Label	1	1
23			Package, Screw Phillips Pan Head (#10-32 x 1-1/8")	1	2
15		1064129	Guard, Clothing	1	1
16		1028645	Rivet	1	6
1	A,H,I	8881130805-NL A	NLA - Kit, Armrest, Desk Length, Chrome - Right (Style 29)	1	1
2			Tube, Arm, Desk Length, Black	1	1
3			Plug Button, Black (7/8")	1	2
4			Plug Button, Black (5/8")	1	2
5			Anti-Rattle	1	2
6			Handle, Lock, Black - Right	1	1
7			Rivet, Tubular	1	1
8			Spring, Arm Lock	1	1
9			Pin, Locking	1	1
10			Arm Base, Chrome	1	1
11			Screw, Phillips Pan Head Tap (#6-20 x 3/8")	1	2
12			Handle, Quad Release	1	1
13			Spring, Torsion with Button Lock	1	1
14			Plug, Armrest, Black (3/4") (18GA)	1	1
14			Plug, Armrest, Black (3/4") (20GA)	1	1
15			Guard, Clothing	1	1
16			Rivet	1	6
17			NLA - Bolt, Hex Head Cap (1/4-20 x 3/4")	1	1
18			Spacer, Coved (1/4 x 11/16 x 1/2")	1	1
19			Insert, Threaded	1	1
20			Spring, Release	1	1
22			Arm Pad, Desk Length w/ Law Label	1	1
23			Package, Screw Phillips Pan Head (#10-32 x 1-1/8")	1	2
15		1064129	Guard, Clothing	1	1
16		1028645	Rivet	1	6
1	A,H,I	8881130806-NL A	NLA - Kit, Armrest, Desk Length, Chrome - Left (Style 29)	1	1
2			Tube, Arm, Desk Length, Black	1	1
3			Plug Button, Black (7/8")	1	2
4			Plug Button, Black (5/8")	1	2
5			Anti-Rattle	1	2
6			Handle, Lock, Black - Left	1	1
7			Rivet, Tubular	1	1
8			Spring, Arm Lock	1	1
9			Pin, Locking	1	1

9000XT, 9000XDT & 9000XT Recliner Non-Removable Conventional Adjustable Height Arms

Item Number	Note	Part Number	Description	Quantity Per	
				Package	Assembly
10			Arm Base, Chrome	1	1
11			Screw, Phillips Pan Head Tap (#6-20 x 3/8")	1	2
12			Handle, Quad Release	1	1
13			Spring, Torsion with Button Lock	1	1
14			Plug, Armrest, Black (3/4") (18GA)	1	1
14			Plug, Armrest, Black (3/4") (20GA)	1	1
15			Guard, Clothing	1	1
16			Rivet	1	6
17			NLA - Bolt, Hex Head Cap (1/4-20 x 3/4")	1	1
18			Spacer, Coved (1/4 x 11/16 x 1/2")	1	1
19			Insert, Threaded	1	1
20			Spring, Release	1	1
22			Arm Pad, Desk Length w/ Law Label	1	1
23			Package, Screw Phillips Pan Head (#10-32 x 1-1/8")	1	2
15		1064129	Guard, Clothing	1	1
16		1028645	Rivet	1	6
1	A,B	8881135526	Kit, Armrest, Full Length, Color - Right (Style 19)	1	1
2			Tube, Armrest, Full Length, Black	1	1
3			Plug Button, Black (7/8")	1	2
4			Plug Button, Black (5/8")	1	2
5			Anti-Rattle	1	2
6			Handle, Lock, Black - Right	1	1
7			Rivet, Tubular	1	1
8			Spring, Arm Lock	1	1
9			Pin, Locking	1	1
10			Arm Base, Color	1	1
11			Screw, Phillips Pan Head Tap (#6-20 x 3/8")	1	2
12			Handle, Quad Release	1	1
13			Spring, Torsion with Button Lock	1	1
14			Plug, Armrest, Black (3/4") (18GA)	1	1
14			Plug, Armrest, Black (3/4") (20GA)	1	1
15			Guard, Clothing	1	1
16			Rivet	1	6
17			NLA - Bolt, Hex Head Cap (1/4-20 x 3/4")	1	1
18			Spacer, Coved (1/4 x 11/16 x 1/2")	1	1
19			Insert, Threaded	1	1
20			Spring, Release	1	1
22			NLA - Pad, Arm, Full Length w/ Law Label	1	1
23			Package, Screw Phillips Pan Head (#10-32 x 1-1/8")	1	2
15		1064129	Guard, Clothing	1	1
16		1028645	Rivet	1	6
1	A,B,I	8881135527	Kit, Armrest, Full Length, Color - Left (Style 19)	1	1
2			Tube, Armrest, Full Length, Black	1	1

9000XT, 9000XDT & 9000XT Recliner Non-Removable Conventional Adjustable Height Arms

Item Number	Note	Part Number	Description	Quantity Per	
				Package	Assembly
3			Plug Button, Black (7/8")	1	2
4			Plug Button, Black (5/8")	1	2
5			Anti-Rattle	1	2
6			Handle, Lock, Black - Left	1	1
7			Rivet, Tubular	1	1
8			Spring, Arm Lock	1	1
9			Pin, Locking	1	1
10			Arm Base, Color	1	1
11			Screw, Phillips Pan Head Tap (#6-20 x 3/8")	1	2
12			Handle, Quad Release	1	1
13			Spring, Torsion with Button Lock	1	1
14			Plug, Armrest, Black (3/4") (18GA)	1	1
14			Plug, Armrest, Black (3/4") (20GA)	1	1
15			Guard, Clothing	1	1
16			Rivet	1	6
17			NLA - Bolt, Hex Head Cap (1/4-20 x 3/4")	1	1
18			Spacer, Coved (1/4 x 11/16 x 1/2")	1	1
19			Insert, Threaded	1	1
20			Spring, Release	1	1
22			NLA - Pad, Arm, Full Length w/ Law Label	1	1
23			Package, Screw Phillips Pan Head (#10-32 x 1-1/8")	1	2
15		1064129	Guard, Clothing	1	1
16		1028645	Rivet	1	6
1	A,H,I	8881135528-NL A	NLA - Kit, Armrest, Full Length, Chrome - Right (Style 19)	1	1
2			Tube, Arm, Full Length, Black	1	1
3			Plug Button, Black (7/8")	1	2
4			Plug Button, Black (5/8")	1	2
5			Anti-Rattle	1	2
6			Handle, Lock, Black - Right	1	1
7			Rivet, Tubular	1	1
8			Spring, Arm Lock	1	1
9			Pin, Locking	1	1
10			Arm Base, Chrome	1	1
11			Screw, Phillips Pan Head Tap (#6-20 x 3/8")	1	2
12			Handle, Quad Release	1	1
13			Spring, Torsion with Button Lock	1	1
14			Plug, Armrest, Black (3/4") (18GA)	1	1
14			Plug, Armrest, Black (3/4") (20GA)	1	1
15			Guard, Clothing	1	1
16			Rivet	1	6
17			NLA - Bolt, Hex Head Cap (1/4-20 x 3/4")	1	1
18			Spacer, Coved (1/4 x 11/16 x 1/2")	1	1

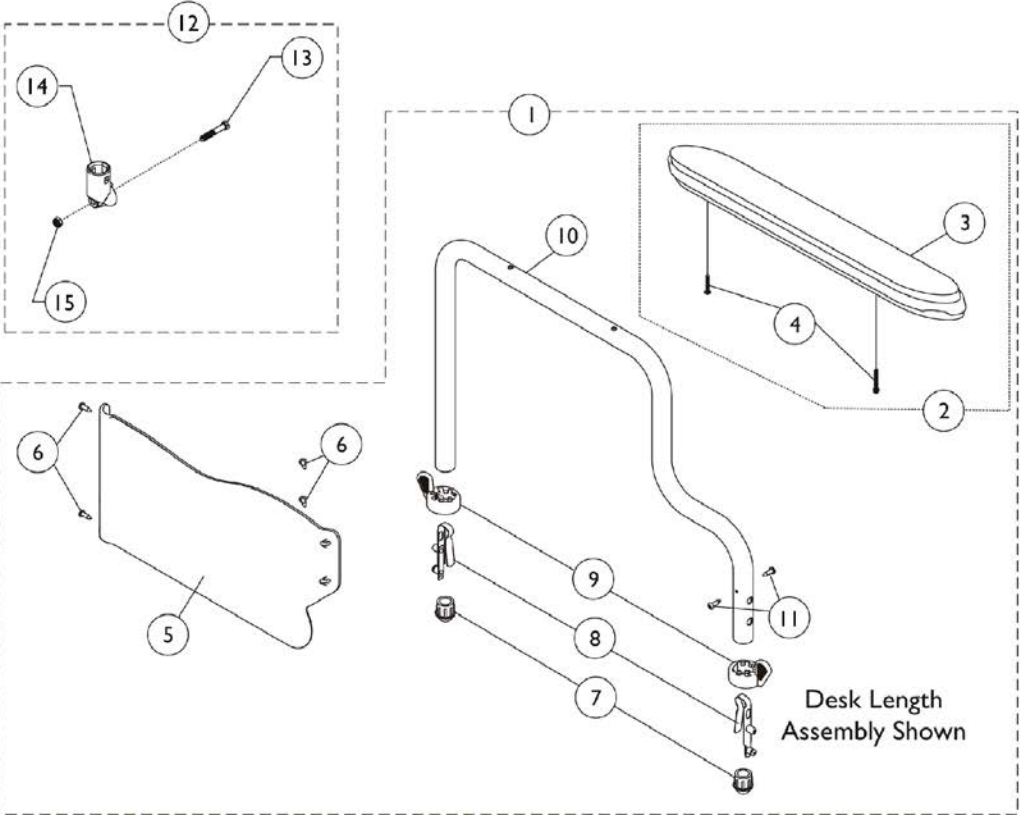
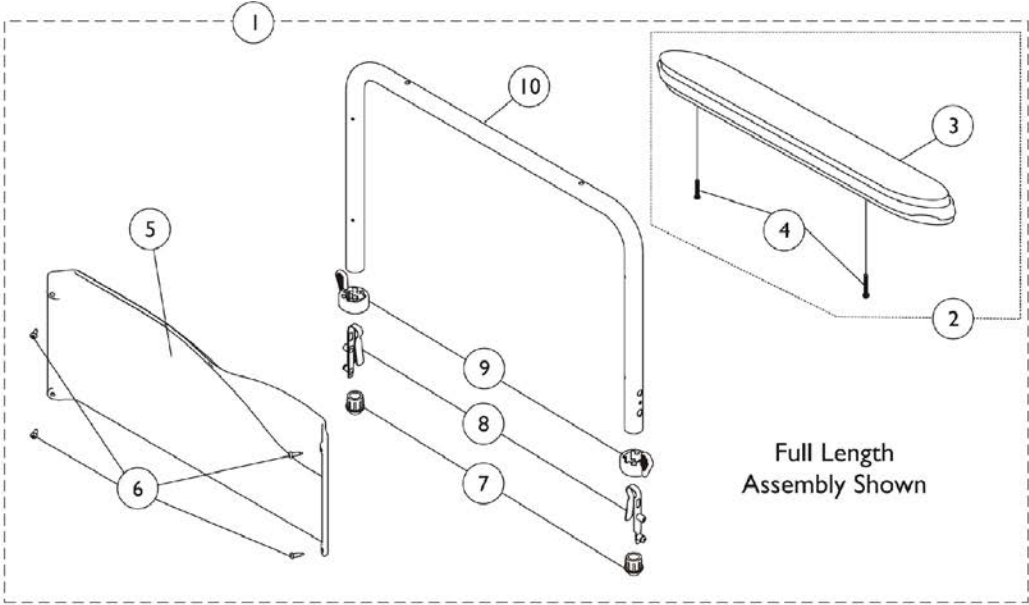
9000XT, 9000XDT & 9000XT Recliner Non-Removable Conventional Adjustable Height Arms

Item Number	Note	Part Number	Description	Quantity Per	
				Package	Assembly
19			Insert, Threaded	1	1
20			Spring, Release	1	1
22			NLA - Pad, Arm, Full Length w/ Law Label	1	1
23			Package, Screw Phillips Pan Head (#10-32 x 1-1/8")	1	2
15		1064129	Guard, Clothing	1	1
16		1028645	Rivet	1	6
1	A,H,I	8881135529-NL A	NLA - Kit, Armrest, Full Length, Chrome - Left (Style 19)	1	1
2			Tube, Arm, Full Length, Black	1	1
3			Plug Button, Black (7/8")	1	2
4			Plug Button, Black (5/8")	1	2
5			Anti-Rattle	1	2
6			Handle, Lock, Black - Left	1	1
7			Rivet, Tubular	1	1
8			Spring, Arm Lock	1	1
9			Pin, Locking	1	1
10			Arm Base, Chrome	1	1
11			Screw, Phillips Pan Head Tap (#6-20 x 3/8")	1	2
12			Handle, Quad Release	1	1
13			Spring, Torsion with Button Lock	1	1
14			Plug, Armrest, Black (3/4") (18GA)	1	1
14			Plug, Armrest, Black (3/4") (20GA)	1	1
15			Guard, Clothing	1	1
16			Rivet	1	6
17			NLA - Bolt, Hex Head Cap (1/4-20 x 3/4")	1	1
18			Spacer, Coved (1/4 x 11/16 x 1/2")	1	1
19			Insert, Threaded	1	1
20			Spring, Release	1	1
22			NLA - Pad, Arm, Full Length w/ Law Label	1	1
23			Package, Screw Phillips Pan Head (#10-32 x 1-1/8")	1	2
15		1064129	Guard, Clothing	1	1
16		1028645	Rivet	1	6
21	C,H	8881127509	Kit, Arm Pad w/Screws - Full Length	1	1
22			NLA - Pad, Arm, Full Length w/ Law Label	1	1
23			Package, Screw Phillips Pan Head (#10-32 x 1-1/8")	1	2
21	C,H	8881127510	Kit, Arm Pad w/Screws - Desk Length	1	1
22			Arm Pad, Desk Length w/ Law Label	1	1
23			Package, Screw Phillips Pan Head (#10-32 x 1-1/8")	1	2
24	D	1058139	Kit, Armrest Hardware	1	1
25			Cup, Socket Pivot	1	1
26			Locknut (1/4-20)	1	1
27			NLA - Screw, Hex Head (1/4-20 x 1-3/8")	1	1
	G	7100053	Arm Lock Assembly, Black - Right	1	1

9000XT, 9000XDT & 9000XT Recliner Non-Removable Conventional Adjustable Height Arms

Item Number	Note	Part Number	Description	Quantity Per	
				Package	Assembly
	G	7100054	Handle, Lock, Black - Right	1	1
			Rivet, Tubular	1	2
			Pin, Locking	1	2
			Spring, Arm Lock	1	2
			Arm Lock Assembly, Black - Left	1	1
			Handle, Lock, Black - Left	1	1
			Rivet, Tubular	1	2
			Pin, Locking	1	2
			Spring, Arm Lock	1	2
<p>NOTE: A - Includes items 2-23. B - Specify frame finish and upholstery color when ordering, see category titled, "Frame Finishes, Upholstery Colors, Decals and Packaging." C - Includes items 22 and 23. D - Includes items 25-27. G - Not Shown. Includes items 6-9. H - Specify upholstery color when ordering, see category titled, "Frame Finishes, Upholstery Colors, Decals and Packaging." I - Item #14 Plug Button for 18GA Tubing used in front only.</p>					

9000XT Removable Conventional Fixed Height Arms



9000XT Removable Conventional Fixed Height Arms

Item Number	Note	Part Number	Description	Quantity Per	
				Package	Assembly
1	A,F	8881130821	Kit, Armrest, Full Length, Black - Right (Style 18)	1	1
3			NLA - Pad, Arm, Full Length w/ Law Label	1	1
4			Package, Screw Phillips Pan Head (#10-32 x 1-1/8")	1	2
5			Guard, Clothing, Full Length - Right	1	1
6			Screw, Self Tapping (#6-20 x 1/2")	1	4
7			Plug, Armrest, Black (3/4") (18GA)	1	2
8			Spring, Torsion with Button Lock	1	2
9			Handle, Quad Release	1	2
10			NLA - Tube, Armrest, Conventional, Full Height, Black	1	1
5		1110079	Guard, Clothing, Full Length - Right	1	1
6		1116900	Screw, Self Tapping (#6-20 x 1/2")	1	4
1	A,F	8881130822	Kit, Armrest, Full Length, Black - Left (Style 18)	1	1
3			NLA - Pad, Arm, Full Length w/ Law Label	1	1
4			Package, Screw Phillips Pan Head (#10-32 x 1-1/8")	1	2
5			Guard, Clothing, Full Length - Left	1	1
6			Screw, Self Tapping (#6-20 x 1/2")	1	4
7			Plug, Armrest, Black (3/4") (18GA)	1	2
8			Spring, Torsion with Button Lock	1	2
9			Handle, Quad Release	1	2
10			NLA - Tube, Armrest, Conventional, Full Height, Black	1	1
5		1110080	Guard, Clothing, Full Length - Left	1	1
6		1116900	Screw, Self Tapping (#6-20 x 1/2")	1	4
1	A,F	8881135540	Kit, Armrest, Desk Length, Black - Right (Style 28)	1	1
3			Arm Pad, Desk Length w/ Law Label	1	1
4			Package, Screw Phillips Pan Head (#10-32 x 1-1/8")	1	2
5			NLA - Guard, Clothing, Desk Length - Right	1	1
6			Screw, Self Tapping (#6-20 x 1/2")	1	4
7			Plug, Armrest, Black (3/4") (18GA)	1	2
8			Spring, Torsion with Button Lock	1	2
9			Handle, Quad Release	1	2
10			Armrest, Desk Length, Black - Right	1	1
11			Screw, Phillips Pan Head Tap (#6-20 x 3/8")	1	2
1	A,F	8881135541	Kit, Armrest, Desk Length, Black - Left (Style 28)	1	1
3			Arm Pad, Desk Length w/ Law Label	1	1
4			Package, Screw Phillips Pan Head (#10-32 x 1-1/8")	1	2
5			NLA - Guard, Clothing, Desk Length - Left	1	1
6			Screw, Self Tapping (#6-20 x 1/2")	1	4
7			Plug, Armrest, Black (3/4") (18GA)	1	2
8			Spring, Torsion with Button Lock	1	2
9			Handle, Quad Release	1	2
10			Armrest, Desk Length, Black - Left	1	1
11			Screw, Phillips Pan Head Tap (#6-20 x 3/8")	1	2
1	A,B	8881130823	Kit, Armrest, Full Length, Color - Right (Style 18)	1	1

9000XT Removable Conventional Fixed Height Arms

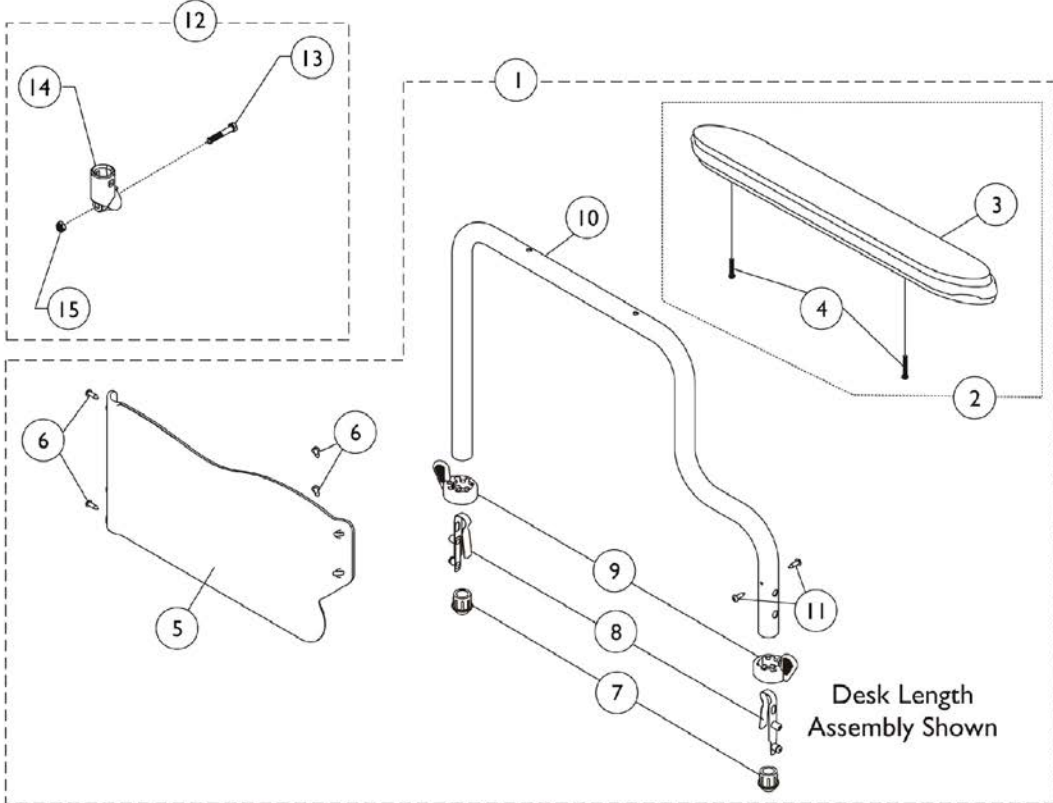
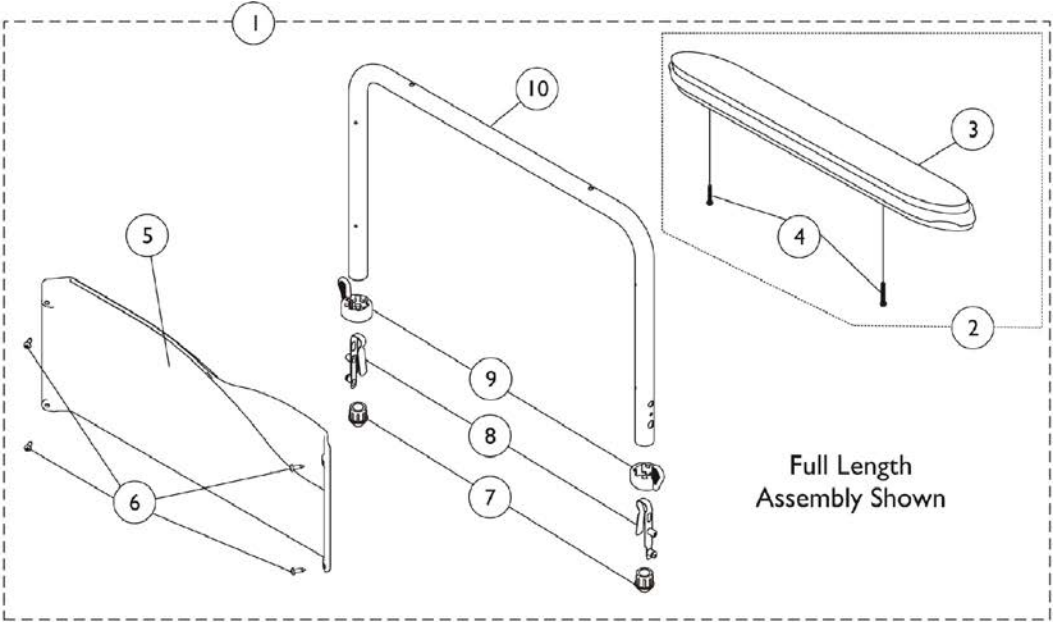
Item Number	Note	Part Number	Description	Quantity Per	
				Package	Assembly
3			NLA - Pad, Arm, Full Length w/ Law Label	1	1
4			Package, Screw Phillips Pan Head (#10-32 x 1-1/8")	1	2
5			Guard, Clothing, Full Length - Right	1	1
6			Screw, Self Tapping (#6-20 x 1/2")	1	4
7			Plug, Armrest, Black (3/4") (18GA)	1	2
8			Spring, Torsion with Button Lock	1	2
9			Handle, Quad Release	1	2
10			Tube, Armrest, Conventional, Full Height, Color	1	1
5		1110079	Guard, Clothing, Full Length - Right	1	1
6		1116900	Screw, Self Tapping (#6-20 x 1/2")	1	4
1	A,B	8881130824	Kit, Armrest, Full Length, Color - Left (Style 18)	1	1
3			NLA - Pad, Arm, Full Length w/ Law Label	1	1
4			Package, Screw Phillips Pan Head (#10-32 x 1-1/8")	1	2
5			Guard, Clothing, Full Length - Left	1	1
6			Screw, Self Tapping (#6-20 x 1/2")	1	4
7			Plug, Armrest, Black (3/4") (18GA)	1	2
8			Spring, Torsion with Button Lock	1	2
9			Handle, Quad Release	1	2
10			Tube, Armrest, Conventional, Full Height, Color	1	1
5		1110080	Guard, Clothing, Full Length - Left	1	1
6		1116900	Screw, Self Tapping (#6-20 x 1/2")	1	4
1	A,B	8881135542	Kit, Armrest, Desk Length, Color - Right (Style 28)	1	1
3			Arm Pad, Desk Length w/ Law Label	1	1
4			Package, Screw Phillips Pan Head (#10-32 x 1-1/8")	1	2
5			NLA - Guard, Clothing, Desk Length - Right	1	1
6			Screw, Self Tapping (#6-20 x 1/2")	1	4
7			Plug, Armrest, Black (3/4") (18GA)	1	2
8			Spring, Torsion with Button Lock	1	2
9			Handle, Quad Release	1	2
10			Tube, Armrest, Desk Length, Color - Right	1	1
11			Screw, Phillips Pan Head Tap (#6-20 x 3/8")	1	2
1	A,B	8881135543	Kit, Armrest, Desk Length, Color - Left (Style 28)	1	1
3			Arm Pad, Desk Length w/ Law Label	1	1
4			Package, Screw Phillips Pan Head (#10-32 x 1-1/8")	1	2
5			NLA - Guard, Clothing, Desk Length - Left	1	1
6			Screw, Self Tapping (#6-20 x 1/2")	1	4
7			Plug, Armrest, Black (3/4") (18GA)	1	2
8			Spring, Torsion with Button Lock	1	2
9			Handle, Quad Release	1	2
10			Tube, Armrest, Desk Length, Color - Left	1	1
11			Screw, Phillips Pan Head Tap (#6-20 x 3/8")	1	2
2	C,F	8881127509	Kit, Arm Pad w/Screws - Full Length	1	1
3			NLA - Pad, Arm, Full Length w/ Law Label	1	1
4			Package, Screw Phillips Pan Head (#10-32 x 1-1/8")	1	2

9000XT Removable Conventional Fixed Height Arms

Item Number	Note	Part Number	Description	Quantity Per	
				Package	Assembly
2	C,F	8881127510	Kit, Arm Pad w/Screws - Desk Length	1	1
3			Arm Pad, Desk Length w/ Law Label	1	1
4			Package, Screw Phillips Pan Head (#10-32 x 1-1/8")	1	2
12			D	1058139	Kit, Armrest Hardware
13	NLA - Screw, Hex Head (1/4-20 x 1-3/8")	1			1
14	Cup, Socket Pivot	1			1
15	Locknut (1/4-20)	1			1
	E	1110285			Guard, Clothing, Desk Length - Right
	E	1110286	Guard, Clothing, Desk Length - Left	1	1
	E	1110287	Guard, Clothing, Full Length - Right	1	1
	E	1110288	Guard, Clothing, Full Length - Left	1	1

NOTE: A - Includes items 3-10 for Full Length Arms and items 3-11 for Desk Length Arms.
 B - Specify frame finish and upholstery color, see page titled "Frame Finishes, Upholstery Colors, Decals, and Packaging."
 C - Includes items 3 and 4.
 D - Includes items 13-15.
 E - Not Shown. Includes clothing guard and decal only. Replacement hardware listed within kits.
 F - Specify upholstery color when ordering. See page titled "Frame Finishes, Upholstery Colors, Decals, and Packaging."

9000XDT Removable Conventional Fixed Height Arms



9000XDT Removable Conventional Fixed Height Arms

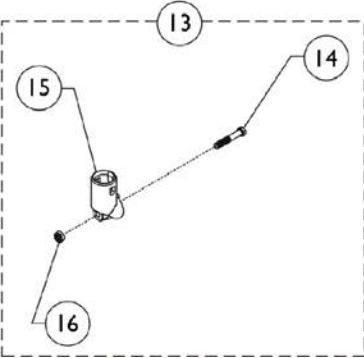
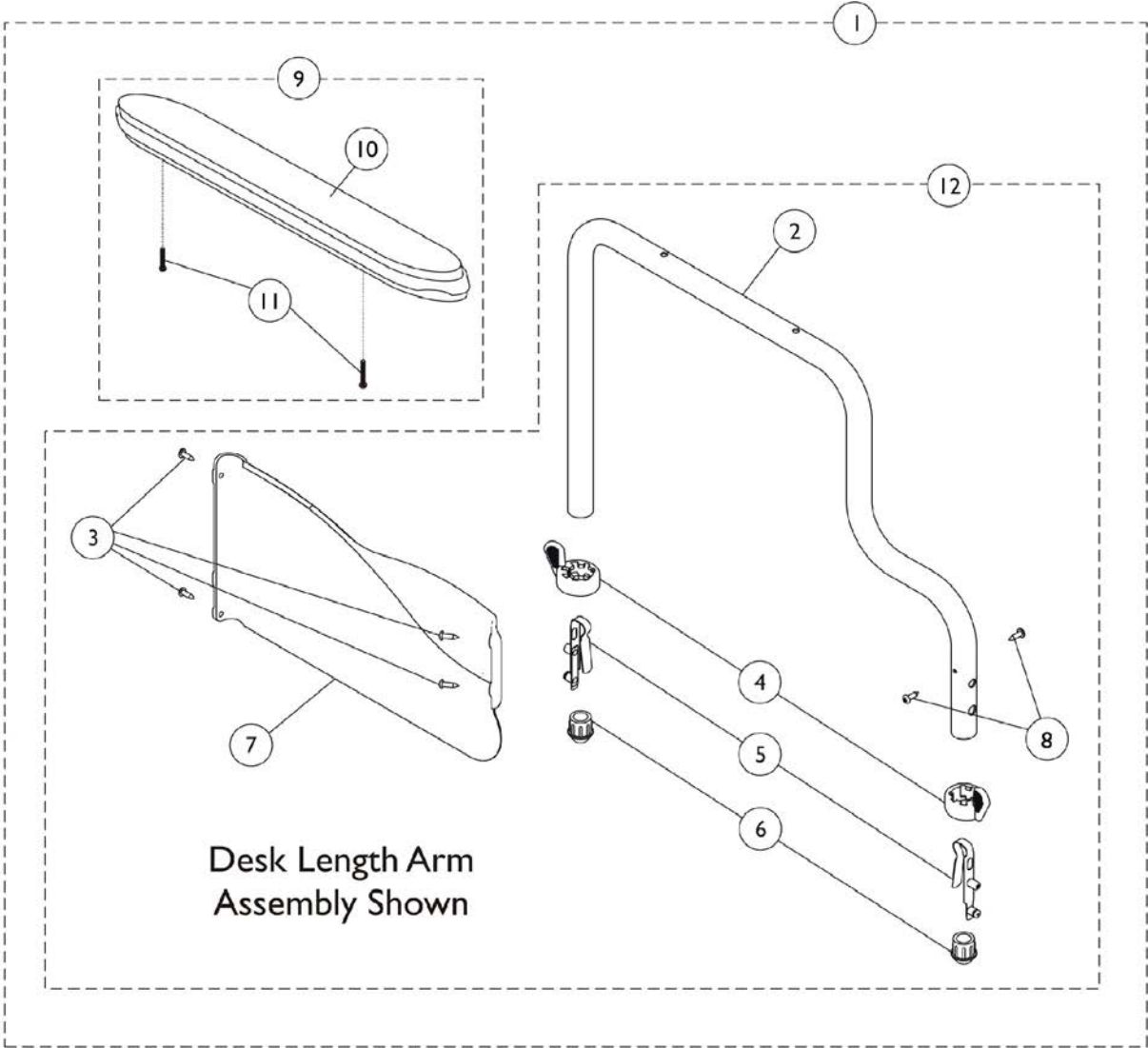
Item Number	Note	Part Number	Description	Quantity Per	
				Package	Assembly
1	A,C	8881130815	Kit, Armrest, Desk Length, Color - Right (Style 28)	1	1
3			Arm Pad, Desk Length w/ Law Label	1	1
4			Package, Screw Phillips Pan Head (#10-32 x 1-1/8")	1	2
5			NLA - Guard, Clothing, Desk Length - Right	1	1
6			Screw, Self Tapping (#6-20 x 1/2")	1	4
7			Plug, Armrest, Black (3/4") (18GA)	1	2
8			Spring, Torsion with Button Lock	1	2
9			Handle, Quad Release	1	2
10			Tube, Armrest, Conventional, Desk Length, Color	1	1
11			Screw, Phillips Pan Head Tap (#6-20 x 3/8")	1	2
6			A,C	1116900	Screw, Self Tapping (#6-20 x 1/2")
1	8881130816	Kit, Armrest, Desk Length, Color - Left (Style 28)		1	1
3		Arm Pad, Desk Length w/ Law Label		1	1
4		Package, Screw Phillips Pan Head (#10-32 x 1-1/8")		1	2
5		NLA - Guard, Clothing, Desk Length - Left		1	1
6		Screw, Self Tapping (#6-20 x 1/2")		1	4
7		Plug, Armrest, Black (3/4") (18GA)		1	2
8		Spring, Torsion with Button Lock		1	2
9		Handle, Quad Release		1	2
10		Tube, Armrest, Conventional, Desk Length, Color - Left		1	1
11		Screw, Phillips Pan Head Tap (#6-20 x 3/8")		1	2
6		A,C	1116900	Screw, Self Tapping (#6-20 x 1/2")	1
1	8881130817		Kit, Armrest, Full Length, Color - Right (Style 18)	1	1
3			NLA - Pad, Arm, Full Length w/ Law Label	1	1
4			Package, Screw Phillips Pan Head (#10-32 x 1-1/8")	1	1
5			Guard, Clothing, Full Length - Right	1	1
6			Screw, Self Tapping (#6-20 x 1/2")	1	4
7			Plug, Armrest, Black (3/4") (18GA)	1	2
8			Spring, Torsion with Button Lock	1	2
9			Handle, Quad Release	1	2
10			Armrest, Conventional, Full Height, Color	1	1
5			1110079	Guard, Clothing, Full Length - Right	1
6		A,C	1116900	Screw, Self Tapping (#6-20 x 1/2")	1
1	8881130818		Kit, Armrest, Full Length, Color - Left (Style 18)	1	1
3			NLA - Pad, Arm, Full Length w/ Law Label	1	1
4			Package, Screw Phillips Pan Head (#10-32 x 1-1/8")	1	2
5			Guard, Clothing, Full Length - Left	1	1
6			Screw, Self Tapping (#6-20 x 1/2")	1	4
7			Plug, Armrest, Black (3/4") (18GA)	1	2
8			Spring, Torsion with Button Lock	1	2
9			Handle, Quad Release	1	2
10			Armrest, Conventional, Full Height, Color	1	1
5			1110080	Guard, Clothing, Full Length - Left	1
6		1116900	Screw, Self Tapping (#6-20 x 1/2")	1	4

9000XDT Removable Conventional Fixed Height Arms

Item Number	Note	Part Number	Description	Quantity Per	
				Package	Assembly
1	A,F	8881130819	Kit, Armrest, Full Length, Black - Right (Style 18)	1	1
3			NLA - Pad, Arm, Full Length w/ Law Label	1	1
4			Package, Screw Phillips Pan Head (#10-32 x 1-1/8")	1	1
5			Guard, Clothing, Full Length - Right	1	1
6			Screw, Self Tapping (#6-20 x 1/2")	1	4
7			Plug, Armrest, Black (3/4") (18GA)	1	2
8			Spring, Torsion with Button Lock	1	2
9			Handle, Quad Release	1	2
10			Tube, Armrest, Conventional, Full Length, Black	1	1
5		1110079	Guard, Clothing, Full Length - Right	1	1
6		1116900	Screw, Self Tapping (#6-20 x 1/2")	1	4
1	A,F	8881130820	Kit, Armrest, Full Length, Black - Left (Style 18)	1	1
3			NLA - Pad, Arm, Full Length w/ Law Label	1	1
4			Package, Screw Phillips Pan Head (#10-32 x 1-1/8")	1	1
5			Guard, Clothing, Full Length - Left	1	1
6			Screw, Self Tapping (#6-20 x 1/2")	1	4
7			Plug, Armrest, Black (3/4") (18GA)	1	2
8			Spring, Torsion with Button Lock	1	2
9			Handle, Quad Release	1	2
10			Tube, Armrest, Conventional, Full Length, Black	1	1
5		1110080	Guard, Clothing, Full Length - Left	1	1
6		1116900	Screw, Self Tapping (#6-20 x 1/2")	1	4
2	B,F	8881127509	Kit, Arm Pad w/Screws - Full Length	1	1
3			NLA - Pad, Arm, Full Length w/ Law Label	1	1
4			Package, Screw Phillips Pan Head (#10-32 x 1-1/8")	1	2
2	B,F	8881127510	Kit, Arm Pad w/Screws - Desk Length	1	1
3			Arm Pad, Desk Length w/ Law Label	1	1
4			Package, Screw Phillips Pan Head (#10-32 x 1-1/8")	1	2
12	D	1058139	Kit, Armrest Hardware	1	1
13			NLA - Screw, Hex Head (1/4-20 x 1-3/8")	1	1
14			Cup, Socket Pivot	1	1
15			Locknut (1/4-20)	1	1
	E	1110285	Guard, Clothing, Desk Length - Right	1	1
	E	1110286	Guard, Clothing, Desk Length - Left	1	1
	E	1110287	Guard, Clothing, Full Length - Right	1	1
	E	1110288	Guard, Clothing, Full Length - Left	1	1

NOTE: A - Includes items 2-10 for Full Length Arms and items 2-11 for Desk Length Arms.
 B - Includes: Items 3 and 4.
 C - Specify frame finish and upholstery color when ordering. See category titled, "Frame Finishes, Upholstery Colors, Decals and Packaging."
 D - Includes items 13-15.
 E - Not Shown. Includes clothing guard and decal only. Replacement hardware listed within kits.
 F - Specify upholstery color when ordering. See category titled, "Frame Finishes, Upholstery Colors, Decals and Packaging."

9000XT Recliner Removable Conventional Fixed Height Arms



9000XT Recliner Removable Conventional Fixed Height Arms

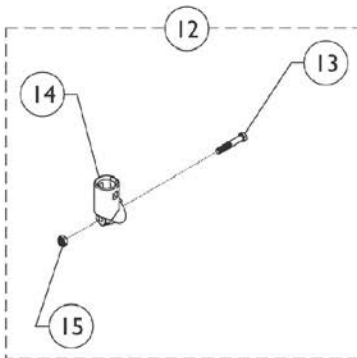
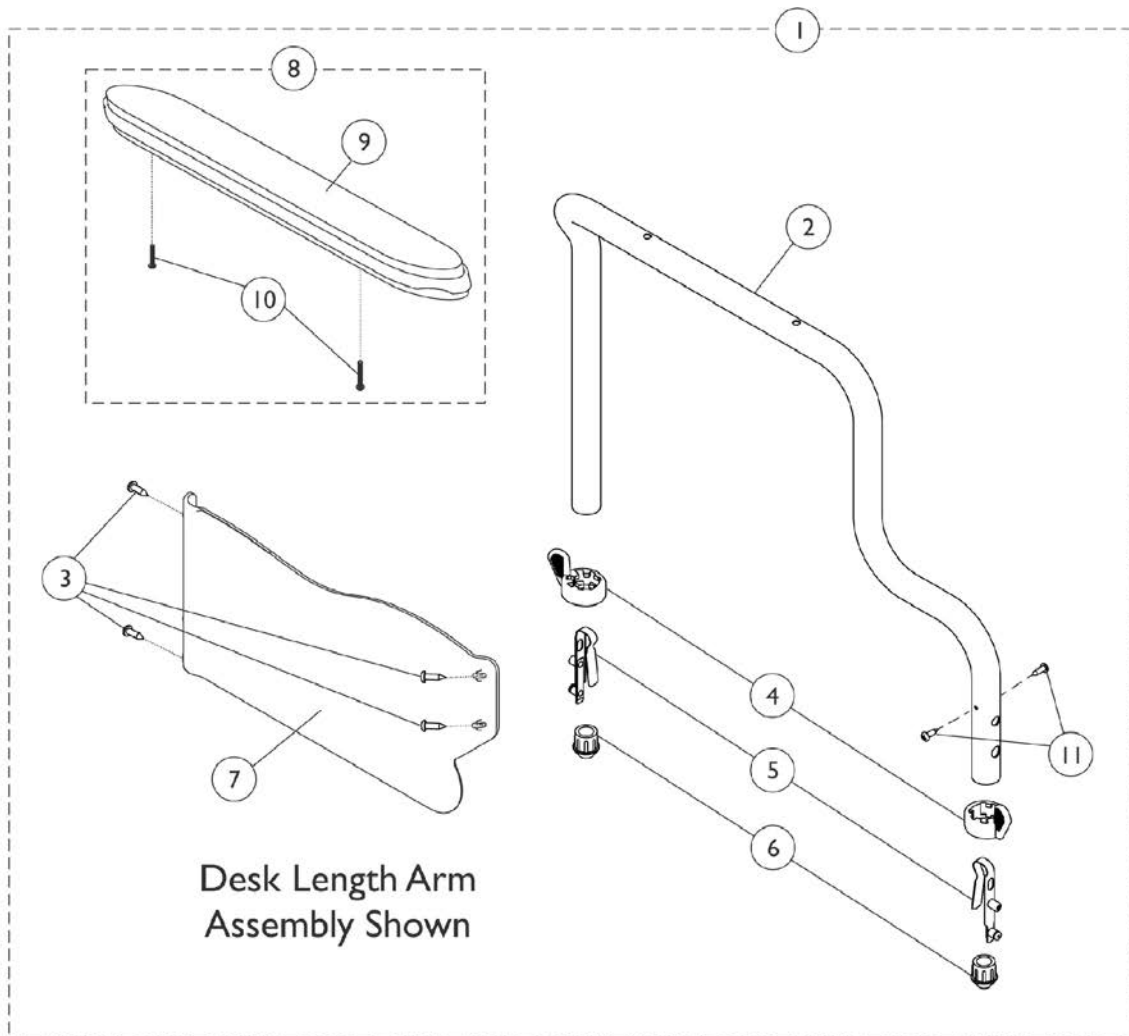
Item Number	Note	Part Number	Description	Quantity Per	
				Package	Assembly
1	A,B	8881130832	Kit, Armrest, Full Length, Color - Right (Style 18)	1	1
2			Armrest, Conventional, Full Height, Color - Right/Left	1	1
3			Screw, Self Tapping (#6-20 x 1/2")	1	4
4			Handle, Quad Release	1	2
5			Spring, Torsion with Button Lock	1	2
6			Plug, Armrest, Black (3/4") (18GA)	1	2
7			Guard, Clothing, Full Length - Right	1	1
10			NLA - Pad, Arm, Full Length w/ Law Label	1	1
11			Package, Screw Phillips Pan Head (#10-32 x 1-1/8")	1	1
3		1116900	Screw, Self Tapping (#6-20 x 1/2")	1	4
7		1110079	Guard, Clothing, Full Length - Right	1	1
1	A,B	8881130833	Kit, Armrest, Full Length, Color - Left (Style 18)	1	1
2			Armrest, Conventional, Full Height, Color - Right/Left	1	1
3			Screw, Self Tapping (#6-20 x 1/2")	1	4
4			Handle, Quad Release	1	2
5			Spring, Torsion with Button Lock	1	2
6			Plug, Armrest, Black (3/4") (18GA)	1	2
7			Guard, Clothing, Full Length - Left	1	1
10			NLA - Pad, Arm, Full Length w/ Law Label	1	1
11			Package, Screw Phillips Pan Head (#10-32 x 1-1/8")	1	1
3		1116900	Screw, Self Tapping (#6-20 x 1/2")	1	4
7		1110080	Guard, Clothing, Full Length - Left	1	1
1	A,H	8881130829	Kit, Armrest, Full Length, Black - Right (Style 18)	1	1
2			Armrest, Conventional, Full Height, Black - Right/Left	1	1
3			Screw, Self Tapping (#6-20 x 1/2")	1	4
4			Handle, Quad Release	1	2
5			Spring, Torsion with Button Lock	1	2
6			Plug, Armrest, Black (3/4") (18GA)	1	2
7			Guard, Clothing, Full Length - Right	1	1
10			NLA - Pad, Arm, Full Length w/ Law Label	1	1
11			Package, Screw Phillips Pan Head (#10-32 x 1-1/8")	1	2
3		1116900	Screw, Self Tapping (#6-20 x 1/2")	1	4
7		1110079	Guard, Clothing, Full Length - Right	1	1
1	A,H	8881130830	Kit, Armrest, Full Length, Black - Left (Style 18)	1	1
2			Armrest, Conventional, Full Height, Black - Right/Left	1	1
3			Screw, Self Tapping (#6-20 x 1/2")	1	4
4			Handle, Quad Release	1	2
5			Spring, Torsion with Button Lock	1	2
6			Plug, Armrest, Black (3/4") (18GA)	1	2
7			Guard, Clothing, Full Length - Left	1	1

9000XT Recliner Removable Conventional Fixed Height Arms

Item Number	Note	Part Number	Description	Quantity Per	
				Package	Assembly
10			NLA - Pad, Arm, Full Length w/ Law Label	1	1
11			Package, Screw Phillips Pan Head (#10-32 x 1-1/8")	1	2
3		1116900	Screw, Self Tapping (#6-20 x 1/2")	1	4
7		1110080	Guard, Clothing, Full Length - Left	1	1
9	C,H	8881127509	Kit, Arm Pad w/Screws - Full Length	1	1
10			NLA - Pad, Arm, Full Length w/ Law Label	1	1
11			Package, Screw Phillips Pan Head (#10-32 x 1-1/8")	1	2
9	C,H	8881127510	Kit, Arm Pad w/Screws - Desk Length	1	1
10			Arm Pad, Desk Length w/ Law Label	1	1
11			Package, Screw Phillips Pan Head (#10-32 x 1-1/8")	1	2
12	D	1071663	Arm Assembly w/o Arm Pad, Desk Length, Black - Right	1	1
12	D	1071664	Arm Assembly w/o Arm Pad, Desk Length, Black - Left	1	1
12	B,I	8881074654	Arm Assembly w/o Arm Pad, Desk Length, Color - Right	1	1
12	B,I	8881074655	Arm Assembly w/o Arm Pad, Desk Length, Color - Left	1	1
	E,F	1117365	Kit, Clothing Guard, Conventional, Desk Length w/ Screws and Decals (Pair)	1	1
	E,F	1117366	Kit, Clothing Guards - Conventional, Full Length w/ Screws & Decals	1	1
13	G	1058139	Kit, Armrest Hardware	1	1
14			NLA - Screw, Hex Head (1/4-20 x 1-3/8")	1	1
15			Cup, Socket Pivot	1	1
16			Locknut (1/4-20)	1	1

NOTE: A - Includes items 2-7, 10 and 11.
 B - Specify frame finish and upholstery color when ordering. See category titled, "Frame Finishes, Upholstery Colors, Decals and Packaging."
 C - Includes items 11 and 12.
 D - Includes items 2-8.
 E - Not Shown.
 F - Clothing Guard is not sold individually after 11/03. Kit Includes: Clothing Guards (RT & LT sides), Screws & Decals.
 G - Includes items 14-16.
 H - Specify upholstery color when ordering. See category titled, "Frame Finishes, Upholstery Colors, Decals and Packaging."
 I - Specify frame finish when ordering. See category titled, "Frame Finishes, Upholstery Colors, Decals and Packaging."

9000XT, 9000XDT - Removable Space Saver Fixed Height Arms



9000XT, 9000XDT - Removable Space Saver Fixed Height Arms

Item Number	Note	Part Number	Description	Quantity Per	
				Package	Assembly
1	A,B	8881130848	Kit, Armrest, Desk Length, Color - Right (Style 88)	1	1
2			Tube, Armrest, Spacer Saver, Desk, Color - Right	1	1
3			Screw, Self Tapping (#6-20 x 1/2")	1	4
4			Handle, Quad Release	1	2
5			Spring, Torsion with Button Lock	1	2
6			Plug, Armrest, Black (3/4") (18GA)	1	2
7			Guard, Clothing, Desk Length - Right	1	1
9			Arm Pad, Desk Length w/ Law Label	1	1
10			Package, Screw Phillips Pan Head (#10-32 x 1-1/8")	1	1
11			Screw, Phillips Pan Head Tap (#6-20 x 3/8")	1	2
3		1116900	Screw, Self Tapping (#6-20 x 1/2")	1	4
7		1115269	Guard, Clothing, Desk Length - Right	1	1
1	A,B	8881130849	Kit, Armrest, Desk Length, Color - Left (Style 88)	1	1
2			Tube, Armrest, Spacer Saver, Desk, Color - Left	1	1
3			Screw, Self Tapping (#6-20 x 1/2")	1	4
4			Handle, Quad Release	1	2
5			Spring, Torsion with Button Lock	1	2
6			Plug, Armrest, Black (3/4") (18GA)	1	2
7			Guard, Clothing, Desk Length - Left	1	1
9			Arm Pad, Desk Length w/ Law Label	1	1
10			Package, Screw Phillips Pan Head (#10-32 x 1-1/8")	1	2
11			Screw, Phillips Pan Head Tap (#6-20 x 3/8")	1	2
3		1116900	Screw, Self Tapping (#6-20 x 1/2")	1	4
7		1115270	Guard, Clothing, Desk Length - Left	1	1
1	B,E	8881130846	Kit, Armrest, Desk Length, Black - Right (Style 88)	1	1
2			Tube, Armrest, Spacer Saver, Desk, Black - Right	1	1
3			Screw, Self Tapping (#6-20 x 1/2")	1	4
4			Handle, Quad Release	1	2
5			Spring, Torsion with Button Lock	1	2
6			Plug, Armrest, Black (3/4") (18GA)	1	2
7			Guard, Clothing, Desk Length - Right	1	1
9			Arm Pad, Desk Length w/ Law Label	1	1
10			Package, Screw Phillips Pan Head (#10-32 x 1-1/8")	1	2
11			Screw, Phillips Pan Head Tap (#6-20 x 3/8")	1	2
3		1116900	Screw, Self Tapping (#6-20 x 1/2")	1	4
7		1115269	Guard, Clothing, Desk Length - Right	1	1
1	B,E	8881130847	Kit, Armrest, Desk Length, Black - Left (Style 88)	1	1
2			Tube, Armrest, Spacer Saver, Desk, Black - Left	1	1
3			Screw, Self Tapping (#6-20 x 1/2")	1	4
4			Handle, Quad Release	1	2
5			Spring, Torsion with Button Lock	1	2
6			Plug, Armrest, Black (3/4") (18GA)	1	2
7			Guard, Clothing, Desk Length - Left	1	1

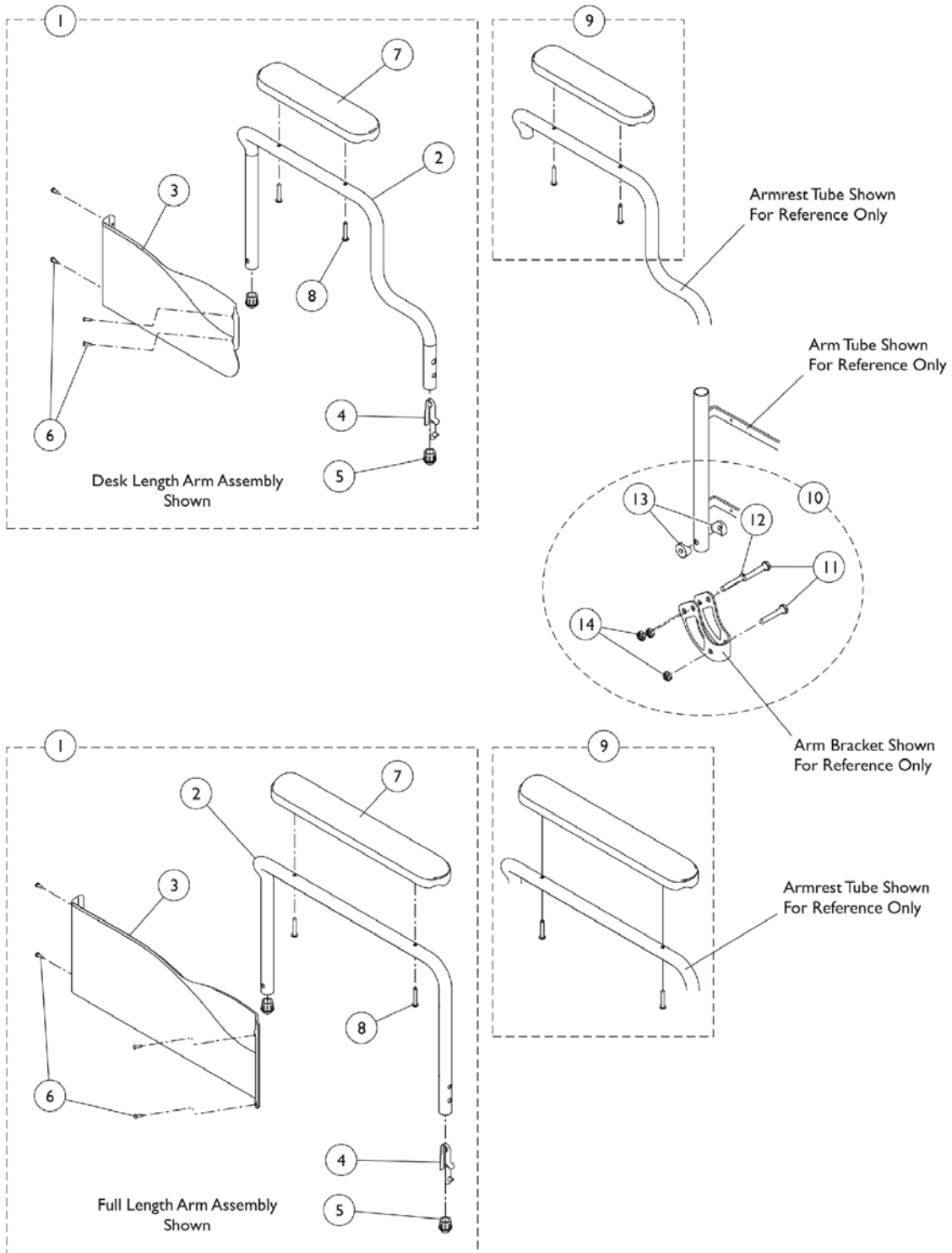
9000XT, 9000XDT - Removable Space Saver Fixed Height Arms

Item Number	Note	Part Number	Description	Quantity Per	
				Package	Assembly
9			Arm Pad, Desk Length w/ Law Label	1	1
10			Package, Screw Phillips Pan Head (#10-32 x 1-1/8")	1	2
11			Screw, Phillips Pan Head Tap (#6-20 x 3/8")	1	2
3		1116900	Screw, Self Tapping (#6-20 x 1/2")	1	4
7		1115270	Guard, Clothing, Desk Length - Left	1	1
1	B,E	8881130850	Kit, Armrest, Full Length, Black - Right (Style 78)	1	1
2			Tube, Armrest, Space Saver, Full Length, Black - Right	1	1
3			Screw, Self Tapping (#6-20 x 1/2")	1	4
4			Handle, Quad Release	1	2
5			Spring, Torsion with Button Lock	1	2
6			Plug, Armrest, Black (3/4") (18GA)	1	2
7			Guard, Clothing, Full Length - Right	1	1
9			NLA - Pad, Arm, Full Length w/ Law Label	1	1
10			Package, Screw Phillips Pan Head (#10-32 x 1-1/8")	1	2
3		1116900	Screw, Self Tapping (#6-20 x 1/2")	1	4
7		1115271	Guard, Clothing, Full Length - Right	1	1
1	B,E	8881130851	Kit, Armrest, Full Length, Black - Left (Style 78)	1	1
2			Tube, Armrest, Space Saver, Full Length, Black - Left	1	1
3			Screw, Self Tapping (#6-20 x 1/2")	1	4
4			Handle, Quad Release	1	2
5			Spring, Torsion with Button Lock	1	2
6			Plug, Armrest, Black (3/4") (18GA)	1	2
7			Guard, Clothing, Full Length - Left	1	1
9			NLA - Pad, Arm, Full Length w/ Law Label	1	1
10			Package, Screw Phillips Pan Head (#10-32 x 1-1/8")	1	2
3		1116900	Screw, Self Tapping (#6-20 x 1/2")	1	4
7		1115272	Guard, Clothing, Full Length - Left	1	1
1	A,B	8881130852	Kit, Armrest, Full Length, Color - Right (Style 78)	1	1
2			Tube, Armrest, Space Saver, Full Length, Color - Right	1	1
3			Screw, Self Tapping (#6-20 x 1/2")	1	4
4			Handle, Quad Release	1	2
5			Spring, Torsion with Button Lock	1	2
6			Plug, Armrest, Black (3/4") (18GA)	1	2
7			Guard, Clothing, Full Length - Right	1	1
9			NLA - Pad, Arm, Full Length w/ Law Label	1	1
10			Package, Screw Phillips Pan Head (#10-32 x 1-1/8")	1	2
3		1116900	Screw, Self Tapping (#6-20 x 1/2")	1	4
7		1115271	Guard, Clothing, Full Length - Right	1	1
1	A,B	8881130853	Kit, Armrest, Full Length, Color - Left (Style 78)	1	1
2			Tube, Armrest, Space Saver, Full Length, Color - Left	1	1

9000XT, 9000XDT - Removable Space Saver Fixed Height Arms

Item Number	Note	Part Number	Description	Quantity Per	
				Package	Assembly
3			Screw, Self Tapping (#6-20 x 1/2")	1	4
4			Handle, Quad Release	1	2
5			Spring, Torsion with Button Lock	1	2
6			Plug, Armrest, Black (3/4") (18GA)	1	2
7			Guard, Clothing, Full Length - Left	1	1
9			NLA - Pad, Arm, Full Length w/ Law Label	1	1
10			Package, Screw Phillips Pan Head (#10-32 x 1-1/8")	1	2
3		1116900	Screw, Self Tapping (#6-20 x 1/2")	1	4
7		1115272	Guard, Clothing, Full Length - Left	1	1
8	C,E	8881127509	Kit, Arm Pad w/Screws - Full Length	1	1
9			NLA - Pad, Arm, Full Length w/ Law Label	1	1
10			Package, Screw Phillips Pan Head (#10-32 x 1-1/8")	1	2
8	C,E	8881127510	Kit, Arm Pad w/Screws - Desk Length	1	1
9			Arm Pad, Desk Length w/ Law Label	1	1
10			Package, Screw Phillips Pan Head (#10-32 x 1-1/8")	1	2
12	D	1058139	Kit, Armrest Hardware	1	1
13			NLA - Screw, Hex Head (1/4-20 x 1-3/8")	1	1
14			Cup, Socket Pivot	1	1
15			Locknut (1/4-20)	1	1
NOTE: A - Specify frame finish and upholstery color. See page titled "Frame Finishes, Upholstery Colors, Decals and Packaging." B - Includes items 2-7, 9 and 10 for Full Length Arms and items 2-7 and 9-11 for Desk Length Arms C - Includes items 9 and 10. D - Includes items 13-15. E - Specify upholstery color. See page titled "Frame Finishes, Upholstery Colors, Decals and Packaging."					

9000SL Non-Removable Space Saver Fixed Height Arms



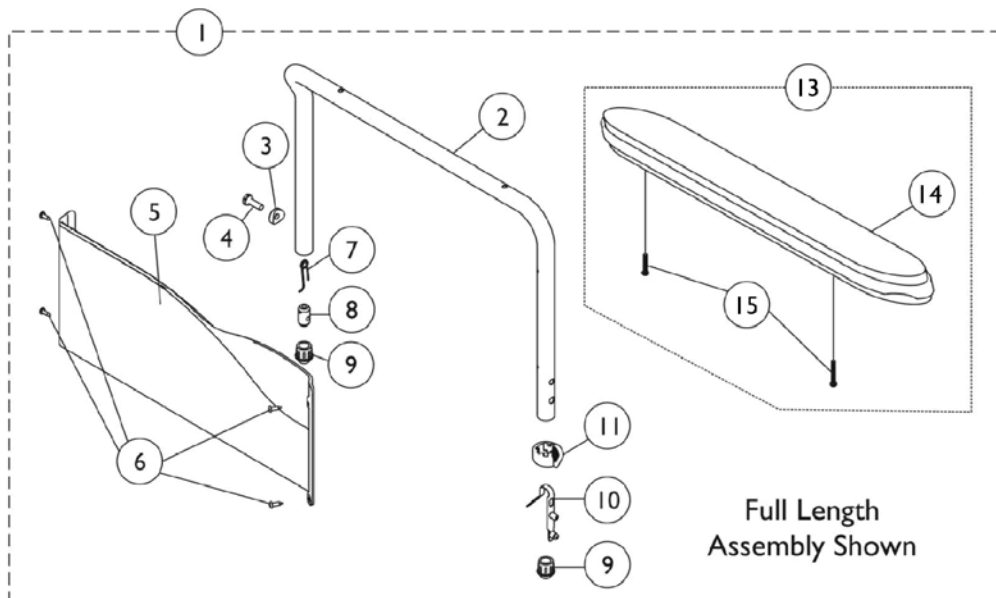
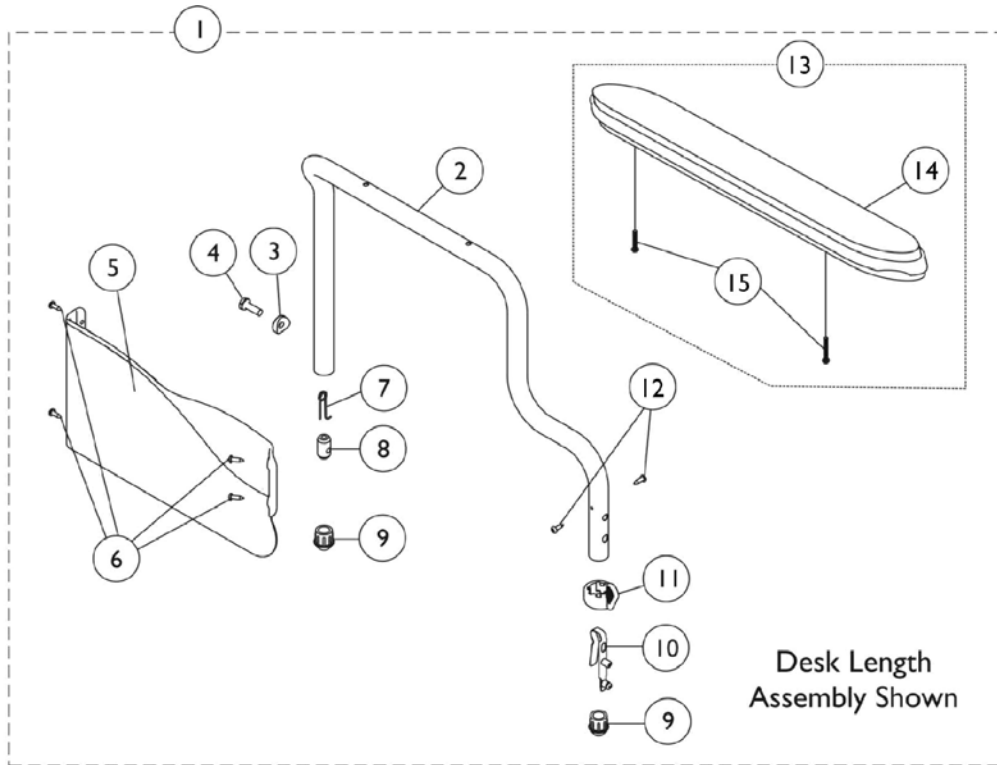
9000SL Non-Removable Space Saver Fixed Height Arms

Item Number	Note	Part Number	Description	Quantity Per	
				Package	Assembly
1	A,G,H	8881130858	Kit, Armrest, Desk Length, Black - Right (Style 88)	1	1
2			Tube, Armrest, Space Saver, Black - Right	1	1
3			Guard, Clothing, Desk Length - Right	1	1
4			Spring, Torsion w/ Button Lock	1	1
5			Plug, Armrest, Black (3/4") (18GA)	1	2
6			Screw, Self Tapping (#6-20 x 1/2")	1	4
7			Arm Pad, Desk Length w/ Law Label	1	1
8			Package, Screw Phillips Pan Head (#10-32 x 1-1/8")	1	2
3	A,G,H	1115269	Guard, Clothing, Desk Length - Right	1	1
6		1116900	Screw, Self Tapping (#6-20 x 1/2")	1	4
1		8881130859	Kit, Armrest, Desk Length, Black - Left (Style 88)	1	1
2			Tube, Armrest, Space Saver, Black - Left	1	1
3			Guard, Clothing, Desk Length - Left	1	1
4			Spring, Torsion w/ Button Lock	1	1
5			Plug, Armrest, Black (3/4") (18GA)	1	2
6			Screw, Self Tapping (#6-20 x 1/2")	1	4
7	Arm Pad, Desk Length w/ Law Label		1	1	
8	Package, Screw Phillips Pan Head (#10-32 x 1-1/8")		1	2	
3	A,H	1115270	Guard, Clothing, Desk Length - Left	1	1
6		1116900	Screw, Self Tapping (#6-20 x 1/2")	1	4
1		8881137325	Kit, Armrest, Full Length, Black - Right (Style 78)	1	1
2			Armrest, Space-Saver, Full, Black - Right	1	1
3			Guard, Clothing, Full Length - Right	1	1
4			Spring, Torsion w/ Button Lock	1	1
5			Plug, Armrest, Black (3/4") (18GA)	1	2
6			Screw, Self Tapping (#6-20 x 1/2")	1	4
7	NLA - Pad, Arm, Full Length w/ Law Label		1	1	
8	Package, Screw Phillips Pan Head (#10-32 x 1-1/8")		1	2	
3	A,H	1115271	Guard, Clothing, Full Length - Right	1	1
6		1116900	Screw, Self Tapping (#6-20 x 1/2")	1	4
1		8881137326	Kit, Armrest, Full Length, Black - Left (Style 78)	1	1
2			Armrest, Space-Saver, Full, Black - Left	1	1
3			Guard, Clothing, Full Length - Left	1	1
4			Spring, Torsion w/ Button Lock	1	1
5			Plug, Armrest, Black (3/4") (18GA)	1	2
6			Screw, Self Tapping (#6-20 x 1/2")	1	4
7	NLA - Pad, Arm, Full Length w/ Law Label		1	1	
8	Package, Screw Phillips Pan Head (#10-32 x 1-1/8")		1	2	
3	B,H	1115272	Guard, Clothing, Full Length - Left	1	1
6		1116900	Screw, Self Tapping (#6-20 x 1/2")	1	4
9		8881127509	Kit, Arm Pad w/Screws - Full Length	1	1
	NLA - Pad, Arm, Full Length w/ Law Label		1	1	
	Package, Screw Phillips Pan Head (#10-32 x 1-1/8")		1	2	
9	B,H	8881127510	Kit, Arm Pad w/Screws - Desk Length	1	1

9000SL Non-Removable Space Saver Fixed Height Arms

Item Number	Note	Part Number	Description	Quantity Per	
				Package	Assembly
			Arm Pad, Desk Length w/ Law Label	1	1
			Package, Screw Phillips Pan Head (#10-32 x 1-1/8")	1	2
	C,D,E	1123307	Kit, Clothing Guard, Space Saver, Desk Length w/ Screws and Decals (Pair)	2	1
	C,D,E	1123308	Kit, Clothing Guard, Space Saver, Full Length w/ Screws & Decals (Pair)	2	1
10	F	1091072	Hardware, Armrest	1	1
11			Spacer, Coved (1/4 x 3/4 x 11/32")	1	4
12			NLA - Screw, Socket Button Head (1/4-20 x 1-7/16")	1	2
13			Screw, Hex Head (1/4-20 x 1-1/2")	1	4
14			Locknut (1/4-20)	1	6
<p>NOTE: A - Includes items 2 - 8 for Desk Length Arms and items 2 - 8 for Full Length Arms. B - Includes Armpad and Screws. C - Not Shown. D - Due to clothing guard change, it is recommended (for chairs built before 11/25/03) when only one arm is requested, the appropriate clothing guard kit (item 7) be ordered also, so the arms will match. E - Includes items 3 and 6. F - Includes items 11 - 14. G - Invacare recommends ordering arm assemblies in pairs to assure uniform appearance on chair. H - Specify upholstery color when ordering. See page titled "Frame Finishes, Upholstery Colors, Decals and Packaging."</p>					

9000XT & 9000XDT Non-Removable Space Saver Fixed Height Arms



9000XT & 9000XDT Non-Removable Space Saver Fixed Height Arms

Item Number	Note	Part Number	Description	Quantity Per	
				Package	Assembly
1	A,B,E	8881130836	Kit, Armrest, Desk Length, Black - Right (Style 88)	1	1
2			Tube, Armrest, Spacer Saver, Desk, Black - Right	1	1
3			Spacer, Coved (1/4 x 11/16 x 1/2")	1	1
4			NLA - Bolt, Hex Head Cap (1/4-20 x 3/4")	1	1
5			Guard, Clothing, Desk Length - Right	1	1
6			Screw, Self Tapping (#6-20 x 1/2")	1	4
7			Spring, Release	1	1
8			Insert, Threaded	1	1
9			Plug, Armrest, Black (3/4") (18GA)	1	2
10			Spring, Torsion with Button Lock	1	1
11			Handle, Quad Release	1	1
12			Screw, Phillips Pan Head Tap (#6-20 x 3/8")	1	2
14			Arm Pad, Desk Length w/ Law Label	1	1
15			Package, Screw Phillips Pan Head (#10-32 x 1-1/8")	1	2
5			A,B,E	1115269	Guard, Clothing, Desk Length - Right
6	1116900	Screw, Self Tapping (#6-20 x 1/2")		1	4
1	8881130837	Kit, Armrest, Desk Length, Black - Left (Style 88)		1	1
2		Tube, Armrest, Spacer Saver, Desk, Black - Left		1	1
3		Spacer, Coved (1/4 x 11/16 x 1/2")		1	1
4		NLA - Bolt, Hex Head Cap (1/4-20 x 3/4")		1	1
5		Guard, Clothing, Desk Length - Left		1	1
6		Screw, Self Tapping (#6-20 x 1/2")		1	4
7		Spring, Release		1	1
8		Insert, Threaded		1	1
9		Plug, Armrest, Black (3/4") (18GA)		1	2
10		Spring, Torsion with Button Lock		1	1
11		Handle, Quad Release		1	1
12		Screw, Phillips Pan Head Tap (#6-20 x 3/8")		1	2
14		Arm Pad, Desk Length w/ Law Label		1	1
15		Package, Screw Phillips Pan Head (#10-32 x 1-1/8")	1	2	
5		A,D,F	1115270	Guard, Clothing, Desk Length - Left	1
6	1116900		Screw, Self Tapping (#6-20 x 1/2")	1	4
1	8881137333		Kit, Armrest, Desk Length, Color - Right (Style 88)	1	1
2			Tube, Armrest, Desk Length, Color - Right	1	1
3			Spacer, Coved (1/4 x 11/16 x 1/2")	1	1
4			NLA - Bolt, Hex Head Cap (1/4-20 x 3/4")	1	1
5			Guard, Clothing, Desk Length - Right	1	1
6			Screw, Self Tapping (#6-20 x 1/2")	1	4
7			Spring, Release	1	1
8			Insert, Threaded	1	1
9			Plug, Armrest, Black (3/4") (18GA)	1	2
10			Spring, Torsion with Button Lock	1	1
11			Handle, Quad Release	1	1

9000XT & 9000XDT Non-Removable Space Saver Fixed Height Arms

Item Number	Note	Part Number	Description	Quantity Per	
				Package	Assembly
12			Screw, Phillips Pan Head Tap (#6-20 x 3/8")	1	2
14			Arm Pad, Desk Length w/ Law Label	1	1
15			Package, Screw Phillips Pan Head (#10-32 x 1-1/8")	1	2
5		1115269	Guard, Clothing, Desk Length - Right	1	1
6		1116900	Screw, Self Tapping (#6-20 x 1/2")	1	4
1	A,D,F	8881137334	Kit, Armrest, Desk Length, Color - Left (Style 88)	1	1
2			Tube, Armrest, Desk Length, Color - Left	1	1
3			Spacer, Coved (1/4 x 11/16 x 1/2")	1	1
4			NLA - Bolt, Hex Head Cap (1/4-20 x 3/4")	1	1
5			Guard, Clothing, Desk Length - Left	1	1
6			Screw, Self Tapping (#6-20 x 1/2")	1	4
7			Spring, Release	1	1
8			Insert, Threaded	1	1
9			Plug, Armrest, Black (3/4") (18GA)	1	2
10			Spring, Torsion with Button Lock	1	1
11			Handle, Quad Release	1	1
12			Screw, Phillips Pan Head Tap (#6-20 x 3/8")	1	2
14			Arm Pad, Desk Length w/ Law Label	1	1
15			Package, Screw Phillips Pan Head (#10-32 x 1-1/8")	1	2
5		1115270	Guard, Clothing, Desk Length - Left	1	1
6		1116900	Screw, Self Tapping (#6-20 x 1/2")	1	4
1	A,E,F	8881137335	Kit, Armrest, Desk Length, Color - Right (Style 88)	1	1
2			Tube, Armrest, Spacer Saver, Desk, Color - Right	1	1
3			Spacer, Coved (1/4 x 11/16 x 1/2")	1	1
4			NLA - Bolt, Hex Head Cap (1/4-20 x 3/4")	1	1
5			Guard, Clothing, Desk Length - Right	1	1
6			Screw, Self Tapping (#6-20 x 1/2")	1	4
7			Handle, Quad Release	1	1
8			Spring, Torsion with Button Lock	1	1
9			Plug, Armrest, Black (3/4") (18GA)	1	2
10			Spring, Release	1	1
11			Insert, Threaded	1	1
12			Screw, Phillips Pan Head Tap (#6-20 x 3/8")	1	2
14			Arm Pad, Desk Length w/ Law Label	1	1
15			Package, Screw Phillips Pan Head (#10-32 x 1-1/8")	1	2
5		1115269	Guard, Clothing, Desk Length - Right	1	1
6		1116900	Screw, Self Tapping (#6-20 x 1/2")	1	4
1	A,E,F	8881137336	Kit, Armrest, Desk Length, Color - Left (Style 88)	1	1
2			Tube, Armrest, Spacer Saver, Desk, Color - Left	1	1
3			Spacer, Coved (1/4 x 11/16 x 1/2")	1	1
4			NLA - Bolt, Hex Head Cap (1/4-20 x 3/4")	1	1
5			Guard, Clothing, Desk Length - Left	1	1
6			Screw, Self Tapping (#6-20 x 1/2")	1	4

9000XT & 9000XDT Non-Removable Space Saver Fixed Height Arms

Item Number	Note	Part Number	Description	Quantity Per	
				Package	Assembly
7			Handle, Quad Release	1	1
8			Spring, Torsion with Button Lock	1	1
9			Plug, Armrest, Black (3/4") (18GA)	1	2
10			Spring, Release	1	1
11			Insert, Threaded	1	1
12			Screw, Phillips Pan Head Tap (#6-20 x 3/8")	1	2
14			Arm Pad, Desk Length w/ Law Label	1	1
15			Package, Screw Phillips Pan Head (#10-32 x 1-1/8")	1	2
5		1115270	Guard, Clothing, Desk Length - Left	1	1
6		1116900	Screw, Self Tapping (#6-20 x 1/2")	1	4
1	A,B,E	8881130838	Kit, Armrest, Full Length, Black - Right (Style 78)	1	1
2			Tube, Armrest, Space Saver, Full Length, Black - Right	1	1
3			Spacer, Coved (1/4 x 11/16 x 1/2")	1	1
4			NLA - Bolt, Hex Head Cap (1/4-20 x 3/4")	1	1
5			Guard, Clothing, Full Length - Right	1	1
6			Screw, Self Tapping (#6-20 x 1/2")	1	4
7			Spring, Release	1	1
8			Insert, Threaded	1	1
9			Plug, Armrest, Black (3/4") (18GA)	1	2
10			Spring, Torsion with Button Lock	1	1
11			Handle, Quad Release	1	1
14			NLA - Pad, Arm, Full Length w/ Law Label	1	1
15			Package, Screw Phillips Pan Head (#10-32 x 1-1/8")	1	2
5		1115271	Guard, Clothing, Full Length - Right	1	1
6		1116900	Screw, Self Tapping (#6-20 x 1/2")	1	4
1	A,B,E	8881130839	Kit, Armrest, Full Length, Black - Left (Style 78)	1	1
2			Tube, Armrest, Space Saver, Full Length, Black - Left	1	1
3			Spacer, Coved (1/4 x 11/16 x 1/2")	1	1
4			NLA - Bolt, Hex Head Cap (1/4-20 x 3/4")	1	1
5			Guard, Clothing, Full Length - Left	1	1
6			Screw, Self Tapping (#6-20 x 1/2")	1	4
7			Spring, Release	1	1
8			Insert, Threaded	1	1
9			Plug, Armrest, Black (3/4") (18GA)	1	2
10			Spring, Torsion with Button Lock	1	1
11			Handle, Quad Release	1	1
14			NLA - Pad, Arm, Full Length w/ Law Label	1	1
15			Package, Screw Phillips Pan Head (#10-32 x 1-1/8")	1	2
5		1115272	Guard, Clothing, Full Length - Left	1	1
6		1116900	Screw, Self Tapping (#6-20 x 1/2")	1	4
1	A,B,D	8881137327	Kit, Armrest, Full Length, Black - Right (Style 78)	1	1

9000XT & 9000XDT Non-Removable Space Saver Fixed Height Arms

Item Number	Note	Part Number	Description	Quantity Per	
				Package	Assembly
2			NLA - Armrest, Full, Black - Right	1	1
3			Spacer, Coved (1/4 x 11/16 x 1/2")	1	1
4			NLA - Bolt, Hex Head Cap (1/4-20 x 3/4")	1	1
5			Guard, Clothing, Full Length - Right	1	1
6			Screw, Self Tapping (#6-20 x 1/2")	1	4
7			Spring, Release	1	1
8			Insert, Threaded	1	1
9			Plug, Armrest, Black (3/4") (18GA)	1	2
10			Spring, Torsion with Button Lock	1	1
11			Handle, Quad Release	1	1
14			NLA - Pad, Arm, Full Length w/ Law Label	1	1
15			Package, Screw Phillips Pan Head (#10-32 x 1-1/8")	1	2
5		1115271	Guard, Clothing, Full Length - Right	1	1
6		1116900	Screw, Self Tapping (#6-20 x 1/2")	1	4
1	A,B,D	8881137328	Kit, Armrest, Full Length, Black - Left (Style 78)	1	1
2			NLA - Armrest, Full, Black - Left	1	1
3			Spacer, Coved (1/4 x 11/16 x 1/2")	1	1
4			NLA - Bolt, Hex Head Cap (1/4-20 x 3/4")	1	1
5			Guard, Clothing, Full Length - Left	1	1
6			Screw, Self Tapping (#6-20 x 1/2")	1	4
7			Spring, Release	1	1
8			Insert, Threaded	1	1
9			Plug, Armrest, Black (3/4") (18GA)	1	2
10			Spring, Torsion with Button Lock	1	1
11			Handle, Quad Release	1	1
14			NLA - Pad, Arm, Full Length w/ Law Label	1	1
15			Package, Screw Phillips Pan Head (#10-32 x 1-1/8")	1	2
5		1115272	Guard, Clothing, Full Length - Left	1	1
6		1116900	Screw, Self Tapping (#6-20 x 1/2")	1	4
1	A,E,F	8881130840	Kit, Armrest, Full Length, Color - Right (Style 78)	1	1
2			Tube, Armrest, Space Saver, Full Length, Color - Right	1	1
3			Spacer, Coved (1/4 x 11/16 x 1/2")	1	1
4			NLA - Bolt, Hex Head Cap (1/4-20 x 3/4")	1	1
5			Guard, Clothing, Full Length - Right	1	1
6			Screw, Self Tapping (#6-20 x 1/2")	1	4
7			Spring, Release	1	1
8			Insert, Threaded	1	1
9			Plug, Armrest, Black (3/4") (18GA)	1	2
10			Spring, Torsion with Button Lock	1	1
11			Handle, Quad Release	1	1
14			NLA - Pad, Arm, Full Length w/ Law Label	1	1
15			Package, Screw Phillips Pan Head (#10-32 x 1-1/8")	1	2

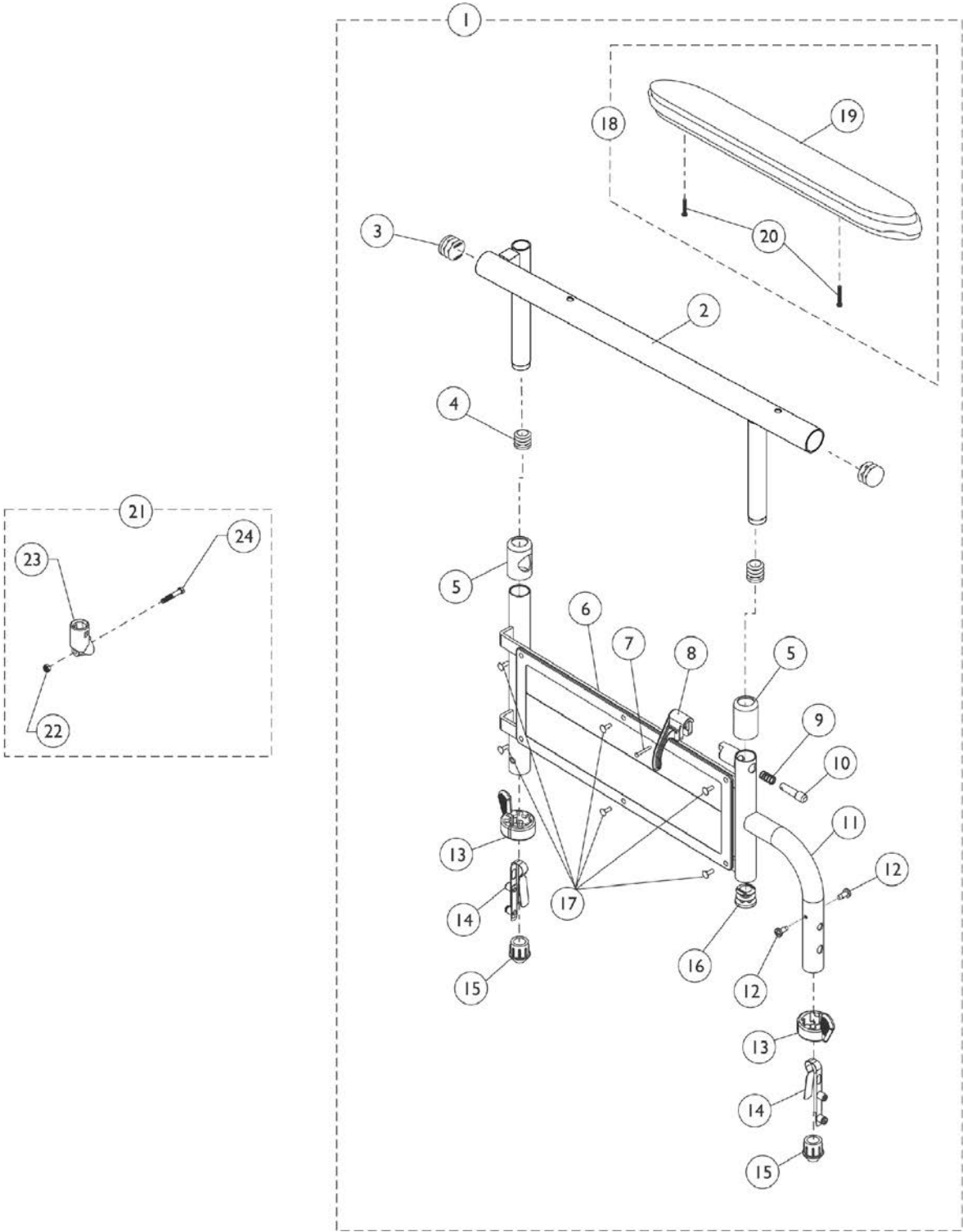
9000XT & 9000XDT Non-Removable Space Saver Fixed Height Arms

Item Number	Note	Part Number	Description	Quantity Per	
				Package	Assembly
5		1115271	Guard, Clothing, Full Length - Right	1	1
6		1116900	Screw, Self Tapping (#6-20 x 1/2")	1	4
1	A,E,F	8881130841	Kit, Armrest, Full Length, Color - Left (Style 78)	1	1
2			Tube, Armrest, Space Saver, Full Length, Color - Left	1	1
3			Spacer, Coved (1/4 x 11/16 x 1/2")	1	1
4			NLA - Bolt, Hex Head Cap (1/4-20 x 3/4")	1	1
5			Guard, Clothing, Full Length - Left	1	1
6			Screw, Self Tapping (#6-20 x 1/2")	1	4
7			Spring, Release	1	1
8			Insert, Threaded	1	1
9			Plug, Armrest, Black (3/4") (18GA)	1	2
10			Spring, Torsion with Button Lock	1	1
11			Handle, Quad Release	1	1
14			NLA - Pad, Arm, Full Length w/ Law Label	1	1
15			Package, Screw Phillips Pan Head (#10-32 x 1-1/8")	1	2
5		1115272	Guard, Clothing, Full Length - Left	1	1
6		1116900	Screw, Self Tapping (#6-20 x 1/2")	1	4
1	A,D,F	8881137329	Kit, Armrest, Full Length, Color - Right (Style 78)	1	1
2			Tube, Armrest, Full, Color - Right	1	1
3			NLA - Bolt, Hex Head Cap (1/4-20 x 3/4")	1	1
4			Spacer, Coved (1/4 x 11/16 x 1/2")	1	1
5			Guard, Clothing, Full Length - Right	1	1
6			Screw, Self Tapping (#6-20 x 1/2")	1	4
7			Spring, Release	1	1
8			Insert, Threaded	1	1
9			Plug, Armrest, Black (3/4") (18GA)	1	2
10			Spring, Torsion with Button Lock	1	1
11			Handle, Quad Release	1	1
14			NLA - Pad, Arm, Full Length w/ Law Label	1	1
15			Package, Screw Phillips Pan Head (#10-32 x 1-1/8")	1	1
5		1115271	Guard, Clothing, Full Length - Right	1	1
6		1116900	Screw, Self Tapping (#6-20 x 1/2")	1	4
1	A,D,F	8881137330	Kit, Armrest, Full Length, Color - Left (Style 78)	1	1
2			Tube, Armrest, Full Length, Color - Left	1	1
3			Spacer, Coved (1/4 x 11/16 x 1/2")	1	1
4			NLA - Bolt, Hex Head Cap (1/4-20 x 3/4")	1	1
5			Guard, Clothing, Full Length - Left	1	1
6			Screw, Self Tapping (#6-20 x 1/2")	1	4
7			Spring, Release	1	1
8			Insert, Threaded	1	1
9			Plug, Armrest, Black (3/4") (18GA)	1	2
10			Spring, Torsion with Button Lock	1	1

9000XT & 9000XDT Non-Removable Space Saver Fixed Height Arms

Item Number	Note	Part Number	Description	Quantity Per	
				Package	Assembly
11			Handle, Quad Release	1	1
14			NLA - Pad, Arm, Full Length w/ Law Label	1	1
15			Package, Screw Phillips Pan Head (#10-32 x 1-1/8")	1	2
5		1115272	Guard, Clothing, Full Length - Left	1	1
6		1116900	Screw, Self Tapping (#6-20 x 1/2")	1	4
13	B,C	8881127509	Kit, Arm Pad w/Screws - Full Length	1	1
14			NLA - Pad, Arm, Full Length w/ Law Label	1	1
15			Package, Screw Phillips Pan Head (#10-32 x 1-1/8")	1	2
13	B,C	8881127510	Kit, Arm Pad w/Screws - Desk Length	1	1
14			Arm Pad, Desk Length w/ Law Label	1	1
15			Package, Screw Phillips Pan Head (#10-32 x 1-1/8")	1	2
<p>NOTE: A - Includes items 2-15. B - Specify upholstery color when ordering. See page titled "Frame Finishes, Upholstery Colors, Decals and Packaging." C - Includes items 14 and 15. D - To be used on 9000XT models only. E - To be used on 9000XDT models only. F - Specify frame finish and upholstery color when ordering. See page titled "Frame Finishes, Upholstery Colors, Decals and Packaging."</p>					

9000XT Space Saver Adjustable Height Arms - 79JY & 89JY



9000XT Space Saver Adjustable Height Arms - 79JY & 89JY

Item Number	Note	Part Number	Description	Quantity Per	
				Package	Assembly
1	A,E	8881130862	Kit, Armrest, Desk Length, Black - Right (Style 89JY)	1	1
2			Tube, Armrest, Desk, Black - Right	1	1
3			Plug Button, Black (5/8")	1	3
4			Plug Button, Black (7/8")	1	2
5			Anti-Rattle	1	2
6			Guard, Clothing	1	1
7			Rivet, Tubular	1	1
8			Handle, Lock, Black - Right	1	1
9			Spring, Arm Lock	1	1
10			Pin, Locking	1	1
11			Tube, Armrest Base, Adjustable Height, Black -Right	1	1
12			Screw, Phillips Pan Head Tap (#8-32 x 3/8")	1	2
13			Handle, Quad Release	1	2
14			Spring, Torsion with Button Lock	1	2
15			Plug, Armrest, Black (3/4") (18GA)	1	2
16			Plug Button, Black (3/4")	1	1
17			Rivet	1	6
19			Arm Pad, Desk Length w/ Law Label	1	1
20			Package, Screw Phillips Pan Head (#10-32 x 1-1/8")	1	1
6		1068511	Guard, Clothing	1	1
17		1028645	Rivet	1	6
1	A,E	8881130863	Kit, Armrest, Desk Length, Black - Left (Style 89JY)	1	1
2			Tube, Armrest, Desk, Black - Left	1	1
3			Plug Button, Black (5/8")	1	3
4			Plug Button, Black (7/8")	1	2
5			Anti-Rattle	1	2
6			Guard, Clothing	1	1
7			Rivet, Tubular	1	1
8			Handle, Lock, Black - Left	1	1
9			Spring, Arm Lock	1	1
10			Pin, Locking	1	1
11			Tube, Armrest Base, Adjustable Height, Black - Left	1	1
12			Screw, Phillips Pan Head Tap (#8-32 x 3/8")	1	2
13			Handle, Quad Release	1	2
14			Spring, Torsion with Button Lock	1	2
15			Plug, Armrest, Black (3/4") (18GA)	1	2
16			Plug Button, Black (3/4")	1	1
17			Rivet	1	6
19			Arm Pad, Desk Length w/ Law Label	1	1
20			Package, Screw Phillips Pan Head (#10-32 x 1-1/8")	1	2
6		1068511	Guard, Clothing	1	1

9000XT Space Saver Adjustable Height Arms - 79JY & 89JY

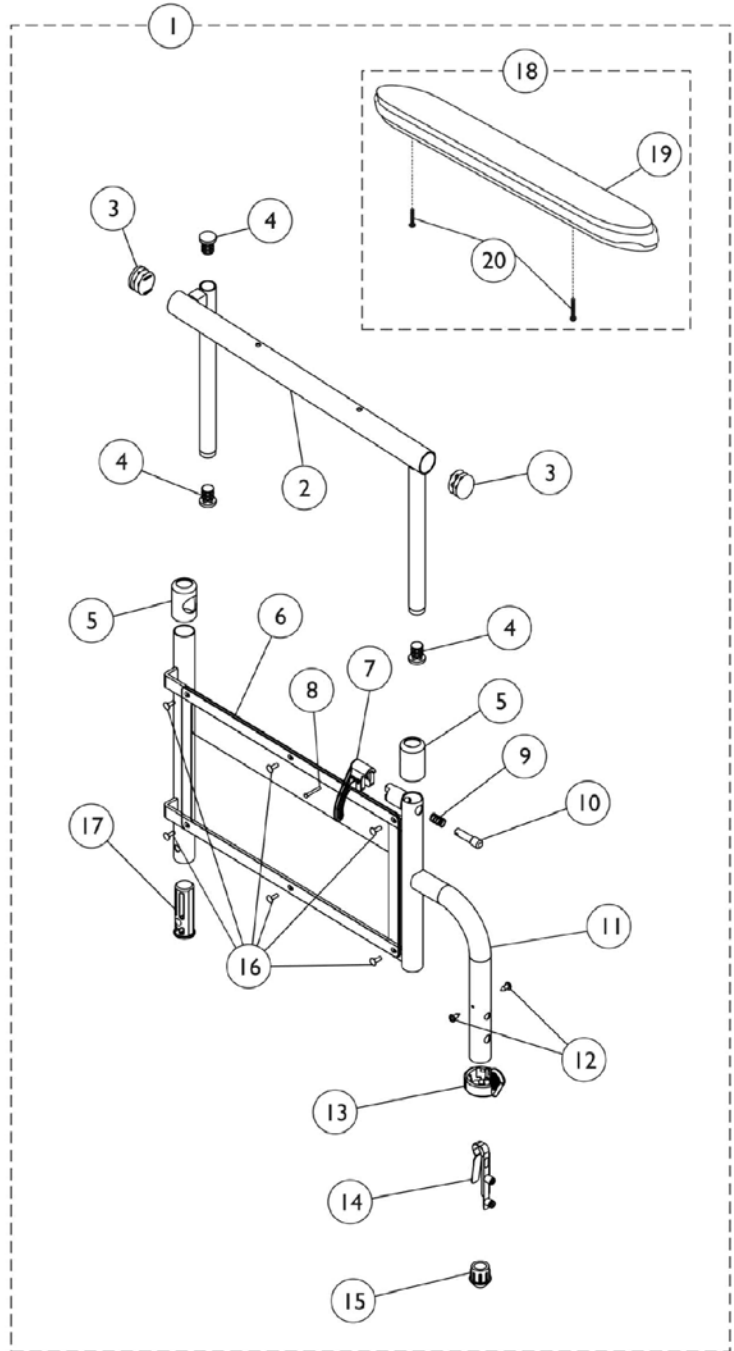
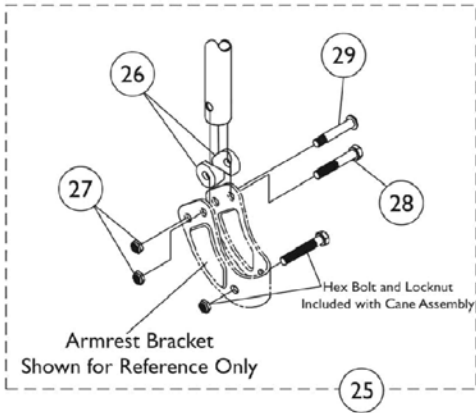
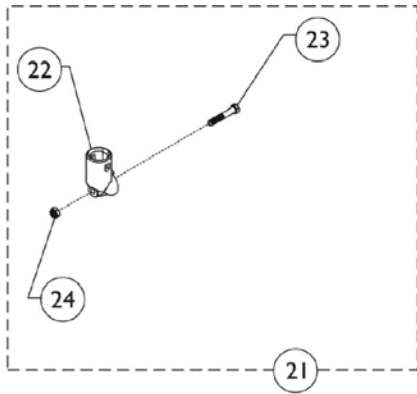
Item Number	Note	Part Number	Description	Quantity Per	
				Package	Assembly
17		1028645	Rivet	1	6
1	A,E	8881130874	Kit, Armrest, Full Length, Black - Right (Style 79JY)	1	1
2			Tube, Armrest, Full Length, Black - Right	1	1
3			Plug Button, Black (5/8")	1	3
4			Plug Button, Black (7/8")	1	2
5			Anti-Rattle	1	2
6			Guard, Clothing	1	1
7			Rivet, Tubular	1	1
8			Handle, Lock, Black - Right	1	1
9			Spring, Arm Lock	1	1
10			Pin, Locking	1	1
11			Tube, Armrest Base, Adjustable Height, Black -Right	1	1
12			Screw, Phillips Pan Head Tap (#8-32 x 3/8")	1	2
13			Handle, Quad Release	1	2
14			Spring, Torsion with Button Lock	1	2
15			Plug, Armrest, Black (3/4") (18GA)	1	2
16			Plug Button, Black (3/4")	1	1
17			Rivet	1	6
19			NLA - Pad, Arm, Full Length w/ Law Label	1	1
20			Package, Screw Phillips Pan Head (#10-32 x 1-1/8")	1	2
6		1068511	Guard, Clothing	1	1
17		1028645	Rivet	1	6
1	A,E	8881130875	Kit, Armrest, Full Length, Black - Left (Style 79JY)	1	1
2			Tube, Armrest, Full Length, Black - Left	1	1
3			Plug Button, Black (5/8")	1	3
4			Plug Button, Black (7/8")	1	2
5			Anti-Rattle	1	2
6			Guard, Clothing	1	1
7			Rivet, Tubular	1	1
8			Handle, Lock, Black - Left	1	1
9			Spring, Arm Lock	1	1
10			Pin, Locking	1	1
11			Tube, Armrest Base, Adjustable Height, Black - Left	1	1
12			Screw, Phillips Pan Head Tap (#8-32 x 3/8")	1	2
13			Handle, Quad Release	1	2
14			Spring, Torsion with Button Lock	1	2
15			Plug, Armrest, Black (3/4") (18GA)	1	2
16			Plug Button, Black (3/4")	1	1
17			Rivet	1	6
19			NLA - Pad, Arm, Full Length w/ Law Label	1	1
20			Package, Screw Phillips Pan Head (#10-32 x 1-1/8")	1	2
6		1068511	Guard, Clothing	1	1

9000XT Space Saver Adjustable Height Arms - 79JY & 89JY

Item Number	Note	Part Number	Description	Quantity Per	
				Package	Assembly
17		1028645	Rivet	1	6
18	B,E	8881127510	Kit, Arm Pad w/Screws - Desk Length	1	1
19			Arm Pad, Desk Length w/ Law Label	1	1
20			Package, Screw Phillips Pan Head (#10-32 x 1-1/8")	1	2
18	B,E	8881127509	Kit, Arm Pad w/Screws - Full Length	1	1
19			NLA - Pad, Arm, Full Length w/ Law Label	1	1
20			Package, Screw Phillips Pan Head (#10-32 x 1-1/8")	1	2
21	C	1058139	Kit, Armrest Hardware	1	1
22			Cup, Socket Pivot	1	1
23			NLA - Screw, Hex Head (1/4-20 x 1-3/8")	1	1
24			Locknut (1/4-20)	1	1
	D	7100053	Arm Lock Assembly, Black - Right	1	1
			Handle, Lock, Black - Right	1	1
			Rivet, Tubular	1	2
			Pin, Locking	1	2
			Spring, Arm Lock	1	2
	D	7100054	Arm Lock Assembly, Black - Left	1	1
			Handle, Lock, Black - Left	1	1
			Rivet, Tubular	1	2
			Pin, Locking	1	2
			Spring, Arm Lock	1	2

NOTE: A - Includes items 2-20.
 B - Includes items 19 and 20.
 C - Includes items 22-24.
 D - Not Shown. Includes items 7-10.
 E - Specify upholstery color when ordering. See page titled "Frame Finishes, Upholstery Colors, Decals and Packaging."

9000SL Adjustable Height Space Saver Arms



9000SL Adjustable Height Space Saver Arms

Item Number	Note	Part Number	Description	Quantity Per	
				Package	Assembly
1	A,F	8881130860	Kit, Armrest, Full Length, Black - Right (Style 79)	1	1
2			Tube, Arm, Black - Right	1	1
3			Plug Button, Black (7/8")	1	2
4			Plug Button, Black (5/8")	1	3
5			Anti-Rattle	1	2
6			Guard, Clothing	1	1
7			Handle, Lock, Black - Right	1	1
8			Rivet, Tubular	1	1
9			Spring, Arm Lock	1	1
10			Pin, Locking	1	1
11			Base, Arm, Black - Right	1	1
12			Screw, Phillips Pan Head Tap (#6-20 x 3/8")	1	2
13			Handle, Quad Release	1	1
14			Spring, Torsion with Button Lock	1	1
15			Plug, Armrest, Black (3/4") (18GA)	1	1
16			Rivet	1	6
17			Insert, Arm, Black	1	1
19			NLA - Pad, Arm, Full Length w/ Law Label	1	1
20			Package, Screw Phillips Pan Head (#10-32 x 1-1/8")	1	1
6		1064129	Guard, Clothing	1	1
16		1028645	Rivet	1	6
1	A,F	8881130861	Kit, Armrest, Full Length, Black - Left (Style 79)	1	1
2			Tube, Arm, Black - Left	1	1
3			Plug Button, Black (7/8")	1	1
4			Plug Button, Black (5/8")	1	1
5			Anti-Rattle	1	2
6			Guard, Clothing	1	1
7			Handle, Lock, Black - Left	1	1
8			Rivet, Tubular	1	1
9			Spring, Arm Lock	1	1
10			Pin, Locking	1	1
11			Base, Arm, Black - Left	1	1
12			Screw, Phillips Pan Head Tap (#6-20 x 3/8")	1	2
13			Handle, Quad Release	1	1
14			Spring, Torsion with Button Lock	1	1
15			Plug, Armrest, Black (3/4") (18GA)	1	1
16			Rivet	1	6
17			Insert, Arm, Black	1	1
19			NLA - Pad, Arm, Full Length w/ Law Label	1	1
20			Package, Screw Phillips Pan Head (#10-32 x 1-1/8")	1	1
6		1064129	Guard, Clothing	1	1
16		1028645	Rivet	1	6
1	A,F	8881135546	Kit, Armrest, Desk Length, Black - Right (Style 89)	1	1
2			Tube, Armrest, Desk, Black - Right	1	1

9000SL Adjustable Height Space Saver Arms

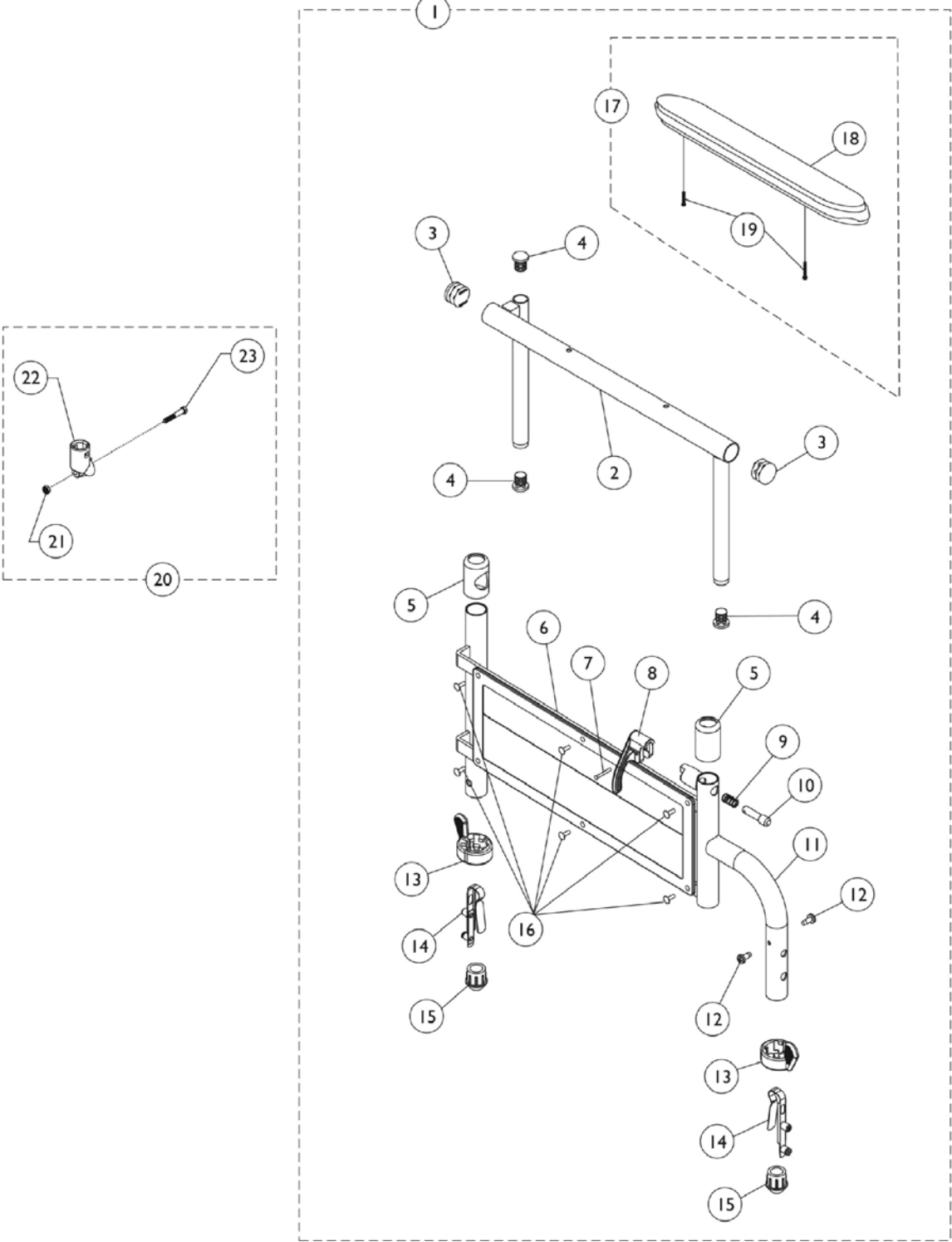
Item Number	Note	Part Number	Description	Quantity Per	
				Package	Assembly
3			Plug Button, Black (5/8")	1	3
4			Plug Button, Black (7/8")	1	2
5			Anti-Rattle	1	2
6			Guard, Clothing	1	1
7			Handle, Lock, Black - Right	1	1
8			Rivet, Tubular	1	1
9			Spring, Arm Lock	1	1
10			Pin, Locking	1	1
11			Base, Arm, Black - Right	1	1
12			Screw, Phillips Pan Head Tap (#6-20 x 3/8")	1	2
13			Handle, Quad Release	1	1
14			Spring, Torsion with Button Lock	1	1
15			Plug, Armrest, Black (3/4") (18GA)	1	1
16			Rivet	1	6
17			Insert, Arm, Black	1	1
19			Arm Pad, Desk Length w/ Law Label	1	1
20			Package, Screw Phillips Pan Head (#10-32 x 1-1/8")	1	2
6		1064129	Guard, Clothing	1	1
16		1028645	Rivet	1	6
1	A,F	8881135547	Kit, Armrest, Desk Length, Black - Left (Style 89)	1	1
2			Tube, Armrest, Desk, Black - Left	1	1
3			Plug Button, Black (5/8")	1	3
4			Plug Button, Black (7/8")	1	2
5			Anti-Rattle	1	2
6			Guard, Clothing	1	1
7			Handle, Lock, Black - Left	1	1
8			Rivet, Tubular	1	1
9			Spring, Arm Lock	1	1
10			Pin, Locking	1	1
11			Base, Arm, Black - Left	1	1
12			Screw, Phillips Pan Head Tap (#6-20 x 3/8")	1	2
13			Handle, Quad Release	1	1
14			Spring, Torsion with Button Lock	1	1
15			Plug, Armrest, Black (3/4") (18GA)	1	1
16			Rivet	1	6
17			Insert, Arm, Black	1	1
19			Arm Pad, Desk Length w/ Law Label	1	1
20			Package, Screw Phillips Pan Head (#10-32 x 1-1/8")	1	2
6		1064129	Guard, Clothing	1	1
16		1028645	Rivet	1	6
18	B,F	8881127509	Kit, Arm Pad w/Screws - Full Length	1	1
19			NLA - Pad, Arm, Full Length w/ Law Label	1	1
20			Package, Screw Phillips Pan Head (#10-32 x 1-1/8")	1	2
18	B,F	8881127510	Kit, Arm Pad w/Screws - Desk Length	1	1

9000SL Adjustable Height Space Saver Arms

Item Number	Note	Part Number	Description	Quantity Per	
				Package	Assembly
19			Arm Pad, Desk Length w/ Law Label	1	1
20			Package, Screw Phillips Pan Head (#10-32 x 1-1/8")	1	2
21	C	1058139	Kit, Armrest Hardware	1	1
22			Cup, Socket Pivot	1	1
23			NLA - Screw, Hex Head (1/4-20 x 1-3/8")	1	1
24			Locknut (1/4-20)	1	1
25	D	1091072	Hardware, Armrest	1	1
26			Spacer, Coved (1/4 x 3/4 x 11/32")	1	4
27			Locknut (1/4-20)	1	6
28			Screw, Hex Head (1/4-20 x 1-1/2")	1	4
29			NLA - Screw, Socket Button Head (1/4-20 x 1-7/16")	1	2
	E	7100053	Arm Lock Assembly, Black - Right	1	1
			Handle, Lock, Black - Right	1	1
			Rivet, Tubular	1	2
			Pin, Locking	1	2
			Spring, Arm Lock	1	2
	E	7100054	Arm Lock Assembly, Black - Left	1	1
			Handle, Lock, Black - Left	1	1
			Rivet, Tubular	1	2
			Pin, Locking	1	2
			Spring, Arm Lock	1	2

NOTE: A - Includes items 2-20.
 B - Includes items 19 and 20.
 C - Includes items 22-24.
 D - Includes items 26-28.
 E - Not Shown. Includes items 7-10.
 F - Specify upholstery color when ordering. See page titled "Frame Finishes, Upholstery Colors, Decals and Packaging."

9000XT & 9000XDT Removable Space Saver Adjustable Height Arms



9000XT & 9000XDT Removable Space Saver Adjustable Height Arms

Item Number	Note	Part Number	Description	Quantity Per	
				Package	Assembly
1	A,D,G	8881130866	Kit, Armrest, Desk Length, Color - Right (Style 89)	1	1
2			Tube, Armrest, Desk, Black - Right	1	1
3			Plug Button, Black (7/8")	1	2
4			Plug Button, Black (5/8")	1	3
5			Anti-Rattle	1	2
6			Guard, Clothing	1	1
7			Rivet, Tubular	1	1
8			Pin, Locking	1	1
9			Spring, Arm Lock	1	1
10			Handle, Lock, Black - Right	1	1
11			Base, Arm, Color - Right	1	1
12			Screw, Phillips Pan Head Tap (#6-20 x 3/8")	1	2
13			Handle, Quad Release	1	2
14			Spring, Torsion with Button Lock	1	2
15			Plug, Armrest, Black (3/4") (18GA)	1	1
15			Plug, Armrest, Black (3/4") (20GA)	1	1
16			Rivet	1	6
18			Arm Pad, Desk Length w/ Law Label	1	1
19			Package, Screw Phillips Pan Head (#10-32 x 1-1/8")	1	1
6		1064129	Guard, Clothing	1	1
16		1028645	Rivet	1	6
1	A,D,G	8881130867	Kit, Armrest, Desk Length, Color - Left (Style 89)	1	1
2			Tube, Armrest, Desk, Black - Left	1	1
3			Plug Button, Black (7/8")	1	1
4			Plug Button, Black (5/8")	1	1
5			Anti-Rattle	1	2
6			Guard, Clothing	1	1
7			Rivet, Tubular	1	1
8			Pin, Locking	1	1
9			Spring, Arm Lock	1	1
10			Handle, Lock, Black - Left	1	1
11			Base, Arm, Color - Left	1	1
12			Screw, Phillips Pan Head Tap (#6-20 x 3/8")	1	2
13			Handle, Quad Release	1	2
14			Spring, Torsion with Button Lock	1	2
15			Plug, Armrest, Black (3/4") (18GA)	1	1
15			Plug, Armrest, Black (3/4") (20GA)	1	1
16			Rivet	1	6
18			Arm Pad, Desk Length w/ Law Label	1	1
19			Package, Screw Phillips Pan Head (#10-32 x 1-1/8")	1	1
6		1064129	Guard, Clothing	1	1
16		1028645	Rivet	1	6
1	A,D,G	8881135548	Kit, Armrest, Full Length, Color - Right (Style 79)	1	1

9000XT & 9000XDT Removable Space Saver Adjustable Height Arms

Item Number	Note	Part Number	Description	Quantity Per	
				Package	Assembly
2			Tube, Arm, Black - Right	1	1
3			Plug Button, Black (7/8")	1	2
4			Plug Button, Black (5/8")	1	3
5			Anti-Rattle	1	2
6			Guard, Clothing	1	1
7			Rivet	1	6
8			Handle, Lock, Black - Right	1	1
9			Spring, Arm Lock	1	1
10			Pin, Locking	1	1
11			Base, Arm, Color - Right	1	1
12			Screw, Phillips Pan Head Tap (#6-20 x 3/8")	1	2
13			Handle, Quad Release	1	2
14			Spring, Torsion with Button Lock	1	2
15			Plug, Armrest, Black (3/4") (18GA)	1	1
15			Plug, Armrest, Black (3/4") (20GA)	1	1
16			Rivet, Tubular	1	1
18			NLA - Pad, Arm, Full Length w/ Law Label	1	1
19			Package, Screw Phillips Pan Head (#10-32 x 1-1/8")	1	2
6		1064129	Guard, Clothing	1	1
16		1028645	Rivet	1	6
1	A,D,G	8881135549	Kit, Armrest, Full Length, Color - Left (Style 79)	1	1
2			Tube, Arm, Black - Left	1	1
3			Plug Button, Black (7/8")	1	2
4			Plug Button, Black (5/8")	1	3
5			Anti-Rattle	1	2
6			Guard, Clothing	1	1
7			Rivet, Tubular	1	1
8			Handle, Lock, Black - Left	1	1
9			Spring, Arm Lock	1	1
10			Pin, Locking	1	1
11			Base, Arm, Color - Left	1	1
12			Screw, Phillips Pan Head Tap (#6-20 x 3/8")	1	2
13			Handle, Quad Release	1	2
14			Spring, Torsion with Button Lock	1	2
15			Plug, Armrest, Black (3/4") (18GA)	1	1
15			Plug, Armrest, Black (3/4") (20GA)	1	1
16			Rivet	1	6
18			NLA - Pad, Arm, Full Length w/ Law Label	1	1
19			Package, Screw Phillips Pan Head (#10-32 x 1-1/8")	1	2
6		1064129	Guard, Clothing	1	1
16		1028645	Rivet	1	6
1	A,F,G	8881135550	Kit, Armrest, Desk Length, Black - Right (Style 89)	1	1
2			Tube, Armrest, Desk, Black - Right	1	1

9000XT & 9000XDT Removable Space Saver Adjustable Height Arms

Item Number	Note	Part Number	Description	Quantity Per	
				Package	Assembly
3			Plug Button, Black (7/8")	1	2
4			Plug Button, Black (5/8")	1	3
5			Anti-Rattle	1	2
6			Guard, Clothing	1	1
7			Rivet, Tubular	1	1
8			Handle, Lock, Black - Right	1	1
9			Spring, Arm Lock	1	1
10			Pin, Locking	1	1
11			Base, Arm, Chrome - Right	1	1
12			Screw, Phillips Pan Head Tap (#6-20 x 3/8")	1	2
13			Handle, Quad Release	1	2
14			Spring, Torsion with Button Lock	1	2
15			Plug, Armrest, Black (3/4") (18GA)	1	1
16			Plug, Armrest, Black (3/4") (20GA)	1	1
17			Rivet	1	6
18			Arm Pad, Desk Length w/ Law Label	1	1
19			Package, Screw Phillips Pan Head (#10-32 x 1-1/8")	1	2
6		1064129	Guard, Clothing	1	1
16		1028645	Rivet	1	6
1	A,F,G	8881135551	Kit, Armrest, Desk Length, Black - Left (Style 89)	1	1
2			Tube, Armrest, Desk, Black - Left	1	1
3			Plug Button, Black (5/8")	1	3
4			Plug Button, Black (7/8")	1	2
5			Anti-Rattle	1	2
6			Guard, Clothing	1	1
7			Rivet, Tubular	1	1
8			Handle, Lock, Black - Left	1	1
9			Spring, Arm Lock	1	1
10			Pin, Locking	1	1
11			Base, Arm, Chrome - Left	1	1
12			Screw, Phillips Pan Head Tap (#6-20 x 3/8")	1	2
13			Handle, Quad Release	1	2
14			Spring, Torsion with Button Lock	1	2
15			Plug, Armrest, Black (3/4") (18GA)	1	1
16			Plug, Armrest, Black (3/4") (20GA)	1	1
17			Rivet	1	6
18			Arm Pad, Desk Length w/ Law Label	1	1
19			Package, Screw Phillips Pan Head (#10-32 x 1-1/8")	1	2
6		1064129	Guard, Clothing	1	1
16		1028645	Rivet	1	6
1	A,F,G	8881130870	Kit, Armrest, Full Length, Chrome - Right (Style 79)	1	1
2			NLA - Tube, Arm, Full Length, Chrome - Right	1	1
3			Plug Button, Black (7/8")	1	2

9000XT & 9000XDT Removable Space Saver Adjustable Height Arms

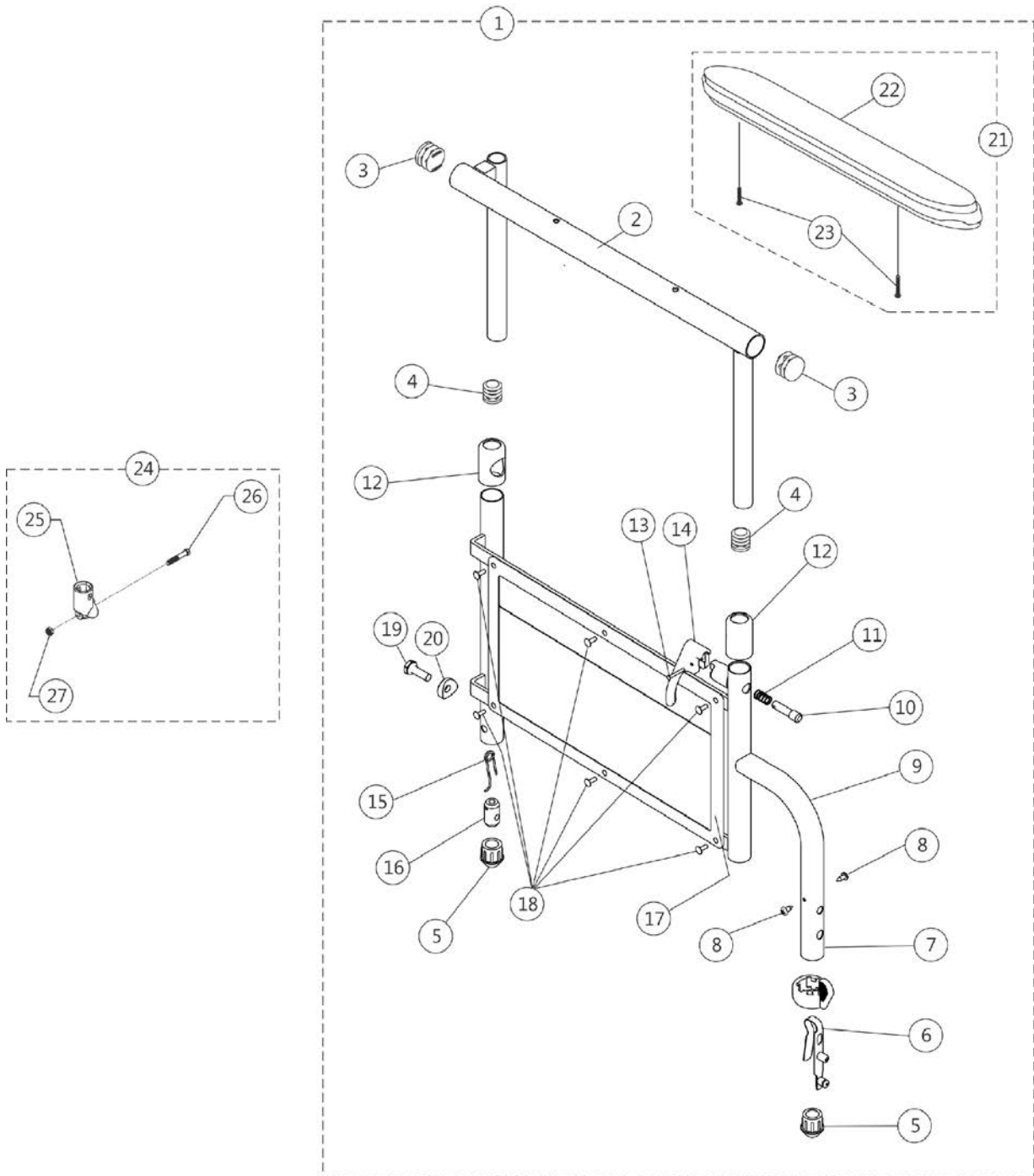
Item Number	Note	Part Number	Description	Quantity Per	
				Package	Assembly
4			Plug Button, Black (5/8")	1	3
5			Anti-Rattle	1	2
6			Guard, Clothing	1	1
7			Rivet, Tubular	1	1
8			Handle, Lock, Black - Right	1	1
9			Spring, Arm Lock	1	1
10			Pin, Locking	1	1
11			Base, Arm, Chrome - Right	1	1
12			Screw, Phillips Pan Head Tap (#6-20 x 3/8")	1	2
13			Handle, Quad Release	1	2
14			Spring, Torsion with Button Lock	1	2
15			Plug, Armrest, Black (3/4") (18GA)	1	1
15			Plug, Armrest, Black (3/4") (20GA)	1	1
16			Rivet	1	6
18			NLA - Pad, Arm, Full Length w/ Law Label	1	1
19			Package, Screw Phillips Pan Head (#10-32 x 1-1/8")	1	1
6		1064129	Guard, Clothing	1	1
16		1028645	Rivet	1	6
1	A,F,G	8881130871	Kit, Armrest, Full Length, Chrome - Left (Style 79)	1	1
2			NLA - Tube, Arm, Full Length, Chrome - Left	1	1
3			Plug Button, Black (5/8")	1	3
4			Plug Button, Black (7/8")	1	2
5			Anti-Rattle	1	2
6			Guard, Clothing	1	1
7			Rivet, Tubular	1	1
8			Handle, Lock, Black - Left	1	1
9			Spring, Arm Lock	1	1
10			Pin, Locking	1	1
11			Base, Arm, Chrome - Left	1	1
12			Screw, Phillips Pan Head Tap (#6-20 x 3/8")	1	2
13			Handle, Quad Release	1	2
14			Spring, Torsion with Button Lock	1	2
15			Plug, Armrest, Black (3/4") (18GA)	1	1
15			Plug, Armrest, Black (3/4") (20GA)	1	1
16			Rivet	1	6
18			NLA - Pad, Arm, Full Length w/ Law Label	1	1
19			Package, Screw Phillips Pan Head (#10-32 x 1-1/8")	1	1
6		1064129	Guard, Clothing	1	1
16		1028645	Rivet	1	6
17	B,F	8881127509	Kit, Arm Pad w/Screws - Full Length	1	1
18			NLA - Pad, Arm, Full Length w/ Law Label	1	1
19			Package, Screw Phillips Pan Head (#10-32 x 1-1/8")	1	2
17	B,F	8881127510	Kit, Arm Pad w/Screws - Desk Length	1	1

9000XT & 9000XDT Removable Space Saver Adjustable Height Arms

Item Number	Note	Part Number	Description	Quantity Per	
				Package	Assembly
18			Arm Pad, Desk Length w/ Law Label	1	1
19			Package, Screw Phillips Pan Head (#10-32 x 1-1/8")	1	2
20	C	1058139	Kit, Armrest Hardware	1	1
21			Locknut (1/4-20)	1	1
22			Cup, Socket Pivot	1	1
23			NLA - Screw, Hex Head (1/4-20 x 1-3/8")	1	1
	E	7100053	Arm Lock Assembly, Black - Right	1	1
			Handle, Lock, Black - Right	1	1
			Rivet, Tubular	1	2
			Pin, Locking	1	2
			Spring, Arm Lock	1	2
	E	7100054	Arm Lock Assembly, Black - Left	1	1
			Handle, Lock, Black - Left	1	1
			Rivet, Tubular	1	2
			Pin, Locking	1	2
			Spring, Arm Lock	1	2

NOTE: A - Includes items 2-19.
 B - Includes items 18 and 19.
 C - Includes items 21-23.
 D - Specify frame finish and upholstery color when ordering. See page titled "Frame Finishes, Upholstery Colors, Decals and Packaging."
 E - Not shown. Includes items 7-10.
 F - Specify upholstery color when ordering. See page titled "Frame Finishes, Upholstery Colors, Decals and Packaging."
 G - Item #15 Plug Button for 18GA Tubing used in front only.

9000XT & 9000XDT Non-Removable Space Saver Adjustable Height Arms



9000XT & 9000XDT Non-Removable Space Saver Adjustable Height Arms

Item Number	Note	Part Number	Description	Quantity Per	
				Package	Assembly
1	A,F,G	8881130856-NL A	NLA - Kit, Armrest, Desk Length, Chrome - Right (Style 89)	1	1
2			NLA - Tube, Arm, Desk Length, Chrome - Right	1	1
3			Plug Button, Black (7/8")	1	2
4			Plug Button, Black (5/8")	1	3
5			Plug, Armrest, Black (3/4") (18GA)	1	1
5			Plug, Armrest, Black (3/4") (20GA)	1	1
6			Spring, Torsion with Button Lock	1	1
7			Handle, Quad Release	1	1
8			Screw, Self Tapping (#6-20 x 1/2")	1	2
9			Base, Arm, Chrome - Right	1	1
10			Pin, Locking	1	1
11			Spring, Arm Lock	1	1
12			Anti-Rattle	1	2
13			Rivet, Tubular	1	1
14			Handle, Lock, Black - Right	1	2
15			Spring, Release	1	1
16			Insert, Threaded	1	1
17			Guard, Clothing	1	1
18			Rivet	1	6
19			NLA - Bolt, Hex Head Cap (1/4-20 x 3/4")	1	1
20			Spacer, Coved (1/4 x 11/16 x 1/2")	1	1
22			Arm Pad, Desk Length w/ Law Label	1	1
23			Package, Screw Phillips Pan Head (#10-32 x 1-1/8")	1	1
17		1064129	Guard, Clothing	1	1
18		1028645	Rivet	1	6
1	G	8881130857-NL A	NLA - Kit, Armrest, Desk Length, Chrome - Left (Style 89)	1	1
2			NLA - Tube, Arm, Desk Length, Chrome - Left	1	1
3			Plug Button, Black (7/8")	1	2
4			Plug Button, Black (5/8")	1	3
5			Plug, Armrest, Black (3/4") (18GA)	1	1
5			Plug, Armrest, Black (3/4") (20GA)	1	1
6			Spring, Torsion with Button Lock	1	1
7			Handle, Quad Release	1	1
8			Screw, Self Tapping (#6-20 x 1/2")	1	2
9			Base, Arm, Chrome - Left	1	1
10			Pin, Locking	1	1
11			Spring, Arm Lock	1	1
12			Anti-Rattle	1	2
13			Rivet, Tubular	1	1
14			Handle, Lock, Black - Left	1	1
15			Spring, Release	1	1

9000XT & 9000XDT Non-Removable Space Saver Adjustable Height Arms

Item Number	Note	Part Number	Description	Quantity Per	
				Package	Assembly
16			Insert, Threaded	1	1
17			Guard, Clothing	1	1
18			Rivet	1	6
19			NLA - Bolt, Hex Head Cap (1/4-20 x 3/4")	1	1
20			Spacer, Coved (1/4 x 11/16 x 1/2")	1	1
22			Arm Pad, Desk Length w/ Law Label	1	1
23			Package, Screw Phillips Pan Head (#10-32 x 1-1/8")	1	1
17		1064129	Guard, Clothing	1	1
18		1028645	Rivet	1	6
1	A,F,G	8881135538-NL A	NLA - Kit, Armrest, Full Length, Chrome - Right (Style 79)	1	1
2			NLA - Tube, Arm, Full Length, Chrome - Right	1	1
3			Plug Button, Black (5/8")	1	3
4			Plug Button, Black (7/8")	1	2
5			Plug, Armrest, Black (3/4") (18GA)	1	1
5			Plug, Armrest, Black (3/4") (20GA)	1	1
6			Spring, Torsion with Button Lock	1	1
7			Handle, Quad Release	1	1
8			Screw, Self Tapping (#6-20 x 1/2")	1	2
9			Base, Arm, Chrome - Right	1	1
10			Pin, Locking	1	1
11			Spring, Arm Lock	1	1
12			Anti-Rattle	1	2
13			Rivet, Tubular	1	1
14			Handle, Lock, Black - Right	1	1
15			Spring, Release	1	1
16			Insert, Threaded	1	1
17			Guard, Clothing	1	1
18			Rivet	1	6
19			NLA - Bolt, Hex Head Cap (1/4-20 x 3/4")	1	1
20			Spacer, Coved (1/4 x 11/16 x 1/2")	1	1
22			NLA - Pad, Arm, Full Length w/ Law Label	1	1
23			Package, Screw Phillips Pan Head (#10-32 x 1-1/8")	1	2
17		1064129	Guard, Clothing	1	1
18		1028645	Rivet	1	6
1	A,F,G	8881135539-NL A	NLA - Kit, Armrest, Full Length, Chrome - Left (Style 79)	1	1
2			NLA - Tube, Arm, Full Length, Chrome - Left	1	1
3			Plug Button, Black (5/8")	1	3
4			Plug Button, Black (7/8")	1	2
5			Plug, Armrest, Black (3/4") (18GA)	1	1
5			Plug, Armrest, Black (3/4") (20GA)	1	1
6			Spring, Torsion with Button Lock	1	1

9000XT & 9000XDT Non-Removable Space Saver Adjustable Height Arms

Item Number	Note	Part Number	Description	Quantity Per	
				Package	Assembly
7			Handle, Quad Release	1	1
8			Screw, Self Tapping (#6-20 x 1/2")	1	2
9			Base, Arm, Chrome - Left	1	1
10			Pin, Locking	1	1
11			Spring, Arm Lock	1	1
12			Anti-Rattle	1	2
13			Rivet, Tubular	1	1
14			Handle, Lock, Black - Left	1	1
15			Spring, Release	1	1
16			Insert, Threaded	1	1
17			Guard, Clothing	1	1
18			Rivet	1	6
19			NLA - Bolt, Hex Head Cap (1/4-20 x 3/4")	1	1
20			Spacer, Coved (1/4 x 11/16 x 1/2")	1	1
22			NLA - Pad, Arm, Full Length w/ Law Label	1	1
23			Package, Screw Phillips Pan Head (#10-32 x 1-1/8")	1	2
17		1064129	Guard, Clothing	1	1
18		1028645	Rivet	1	6
1	A,D,G	8881135536	Kit, Armrest, Desk Length, Color - Right (Style 89)	1	1
2			Tube, Armrest, Desk, Black - Right	1	1
3			Plug Button, Black (5/8")	1	3
4			Plug Button, Black (7/8")	1	2
5			Plug, Armrest, Black (3/4") (18GA)	1	1
5			Plug, Armrest, Black (3/4") (20GA)	1	1
6			Spring, Torsion with Button Lock	1	1
7			Handle, Quad Release	1	1
8			Screw, Self Tapping (#6-20 x 1/2")	1	2
9			Base, Arm, Color - Right	1	1
10			Pin, Locking	1	1
11			Spring, Arm Lock	1	1
12			Anti-Rattle	1	1
13			Rivet, Tubular	1	1
14			Handle, Lock, Black - Right	1	2
15			Spring, Release	1	1
16			Insert, Threaded	1	1
17			Guard, Clothing	1	1
18			Rivet	1	6
19			NLA - Bolt, Hex Head Cap (1/4-20 x 3/4")	1	1
20			Spacer, Coved (1/4 x 11/16 x 1/2")	1	1
22			Arm Pad, Desk Length w/ Law Label	1	1
23			Package, Screw Phillips Pan Head (#10-32 x 1-1/8")	1	2
17		1064129	Guard, Clothing	1	1
18		1028645	Rivet	1	6

9000XT & 9000XDT Non-Removable Space Saver Adjustable Height Arms

Item Number	Note	Part Number	Description	Quantity Per	
				Package	Assembly
1	A,D,G	8881135537	Kit, Armrest, Desk Length, Color - Left (Style 89)	1	1
2			Tube, Armrest, Desk, Black - Left	1	1
3			Plug Button, Black (5/8")	1	3
4			Plug Button, Black (7/8")	1	2
5			Plug, Armrest, Black (3/4") (18GA)	1	1
5			Plug, Armrest, Black (3/4") (20GA)	1	1
6			Spring, Torsion with Button Lock	1	1
7			Handle, Quad Release	1	1
8			Screw, Self Tapping (#6-20 x 1/2")	1	2
9			Base, Arm, Color - Left	1	1
10			Pin, Locking	1	1
11			Spring, Arm Lock	1	1
12			Anti-Rattle	1	2
13			Rivet, Tubular	1	1
14			Handle, Lock, Black - Left	1	1
15			Spring, Release	1	1
16			Insert, Threaded	1	1
17			Guard, Clothing	1	1
18			Rivet	1	6
19			NLA - Bolt, Hex Head Cap (1/4-20 x 3/4")	1	1
2			Spacer, Coved (1/4 x 11/16 x 1/2")	1	1
22			Arm Pad, Desk Length w/ Law Label	1	1
23			Package, Screw Phillips Pan Head (#10-32 x 1-1/8")	1	2
17		1064129	Guard, Clothing	1	1
18		1028645	Rivet	1	6
1	A,D,G	8881135552	Kit, Armrest, Full Length, Color - Right (Style 79)	1	1
2			Tube, Arm, Black - Right	1	1
3			Plug Button, Black (7/8")	1	2
4			Plug Button, Black (5/8")	1	3
5			Plug, Armrest, Black (3/4") (18GA)	1	1
5			Plug, Armrest, Black (3/4") (20GA)	1	1
6			Spring, Torsion with Button Lock	1	1
7			Handle, Quad Release	1	1
8			Screw, Self Tapping (#6-20 x 1/2")	1	2
9			Base, Arm, Color - Right	1	1
10			Pin, Locking	1	1
11			Spring, Arm Lock	1	1
12			Anti-Rattle	1	2
13			Rivet, Tubular	1	1
14			Handle, Lock, Black - Right	1	1
15			Spring, Release	1	1
16			Insert, Threaded	1	1
17			Guard, Clothing	1	1

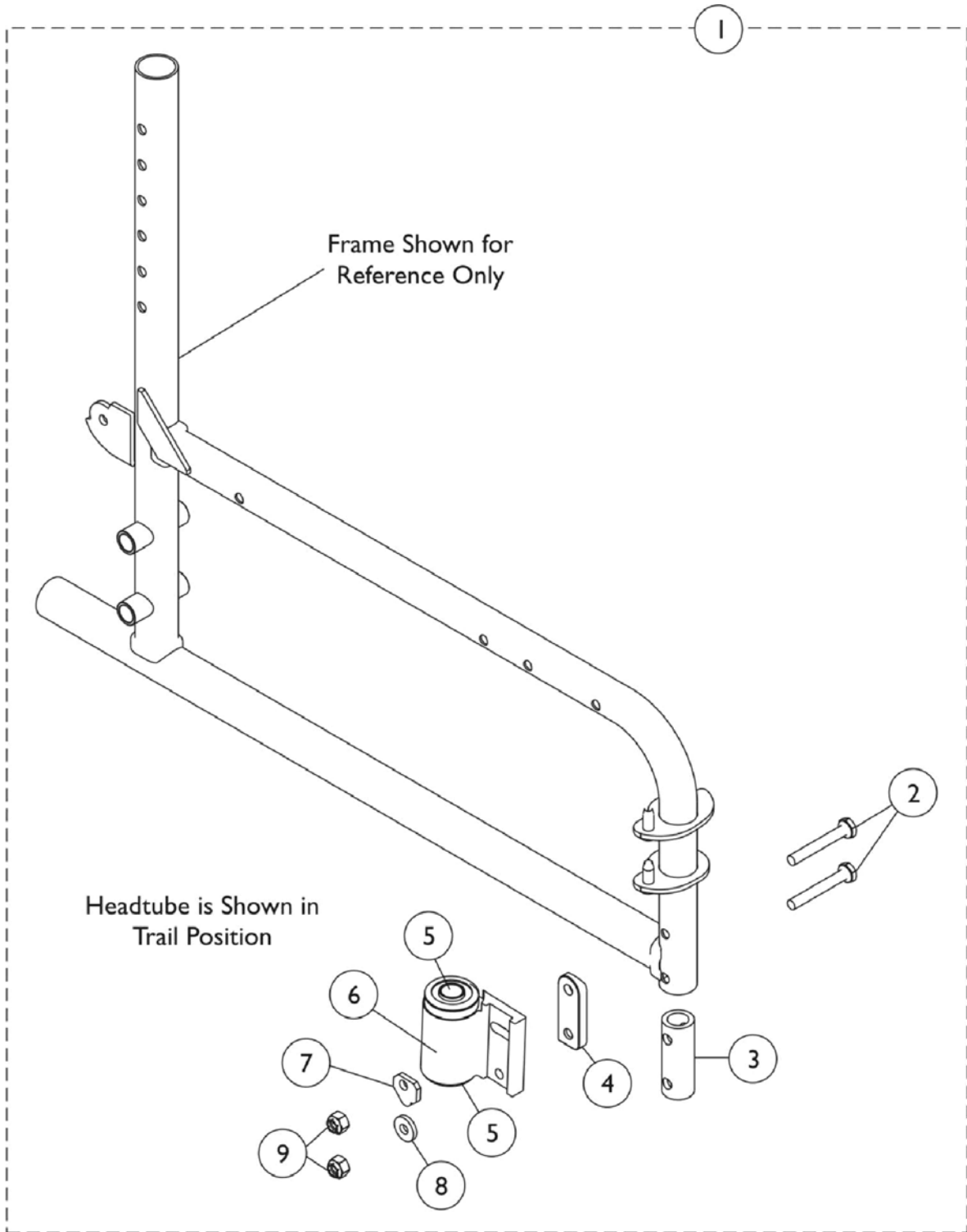
9000XT & 9000XDT Non-Removable Space Saver Adjustable Height Arms

Item Number	Note	Part Number	Description	Quantity Per	
				Package	Assembly
18			Rivet	1	6
19			NLA - Bolt, Hex Head Cap (1/4-20 x 3/4")	1	1
20			Spacer, Coved (1/4 x 11/16 x 1/2")	1	1
22			NLA - Pad, Arm, Full Length w/ Law Label	1	1
23			Package, Screw Phillips Pan Head (#10-32 x 1-1/8")	1	2
17		1064129	Guard, Clothing	1	1
18		1028645	Rivet	1	6
1	A,D,G	8881135553	Kit, Armrest, Full Length, Color - Left (Style 79)	1	1
2			Tube, Arm, Black - Left	1	1
3			Plug Button, Black (7/8")	1	2
4			Plug Button, Black (5/8")	1	3
5			Plug, Armrest, Black (3/4") (18GA)	1	1
5			Plug, Armrest, Black (3/4") (20GA)	1	1
6			Spring, Torsion with Button Lock	1	1
7			Handle, Quad Release	1	1
8			Screw, Self Tapping (#6-20 x 1/2")	1	2
9			Base, Arm, Color - Left	1	1
10			Pin, Locking	1	1
11			Spring, Arm Lock	1	1
12			Anti-Rattle	1	2
13			Rivet, Tubular	1	1
14			Handle, Lock, Black - Left	1	1
15			Spring, Release	1	1
16			Insert, Threaded	1	1
17			Guard, Clothing	1	1
18			Rivet	1	6
19			NLA - Bolt, Hex Head Cap (1/4-20 x 3/4")	1	1
20			Spacer, Coved (1/4 x 11/16 x 1/2")	1	1
22			NLA - Pad, Arm, Full Length w/ Law Label	1	1
23			Package, Screw Phillips Pan Head (#10-32 x 1-1/8")	1	2
17		1064129	Guard, Clothing	1	1
18		1028645	Rivet	1	6
21	B,F	8881127509	Kit, Arm Pad w/Screws - Full Length	1	1
22			NLA - Pad, Arm, Full Length w/ Law Label	1	1
23			Package, Screw Phillips Pan Head (#10-32 x 1-1/8")	1	2
21	B,F	8881127510	Kit, Arm Pad w/Screws - Desk Length	1	1
22			Arm Pad, Desk Length w/ Law Label	1	1
23			Package, Screw Phillips Pan Head (#10-32 x 1-1/8")	1	2
24	C	1058139	Kit, Armrest Hardware	1	1
25			Cup, Socket Pivot	1	1
26			NLA - Screw, Hex Head (1/4-20 x 1-3/8")	1	1
27			Locknut (1/4-20)	1	1
	E	7100053	Arm Lock Assembly, Black - Right	1	1

9000XT & 9000XDT Non-Removable Space Saver Adjustable Height Arms

Item Number	Note	Part Number	Description	Quantity Per	
				Package	Assembly
	E	7100054	Handle, Lock, Black - Right	1	1
			Rivet, Tubular	1	2
			Pin, Locking	1	2
			Spring, Arm Lock	1	2
			Arm Lock Assembly, Black - Left	1	1
			Handle, Lock, Black - Left	1	1
			Rivet, Tubular	1	2
			Pin, Locking	1	2
			Spring, Arm Lock	1	2
<p>NOTE: A - Includes items 2-23. B - Includes items 22 and 23. C - Includes items 25-27. D - Specify frame finish and upholstery color when ordering. See category titled, "Frame Finishes, Upholstery Colors, Decals and Packaging." E - Not shown. Includes items 10, 11, 13 and 14. F - Specify upholstery color when ordering. See category titled, "Frame Finishes, Upholstery Colors, Decals and Packaging." G - Item #5 Plug Button for 18GA Tubing used in front only.</p>					

Headtube Hardware, Adjustable 9000XT Option Only



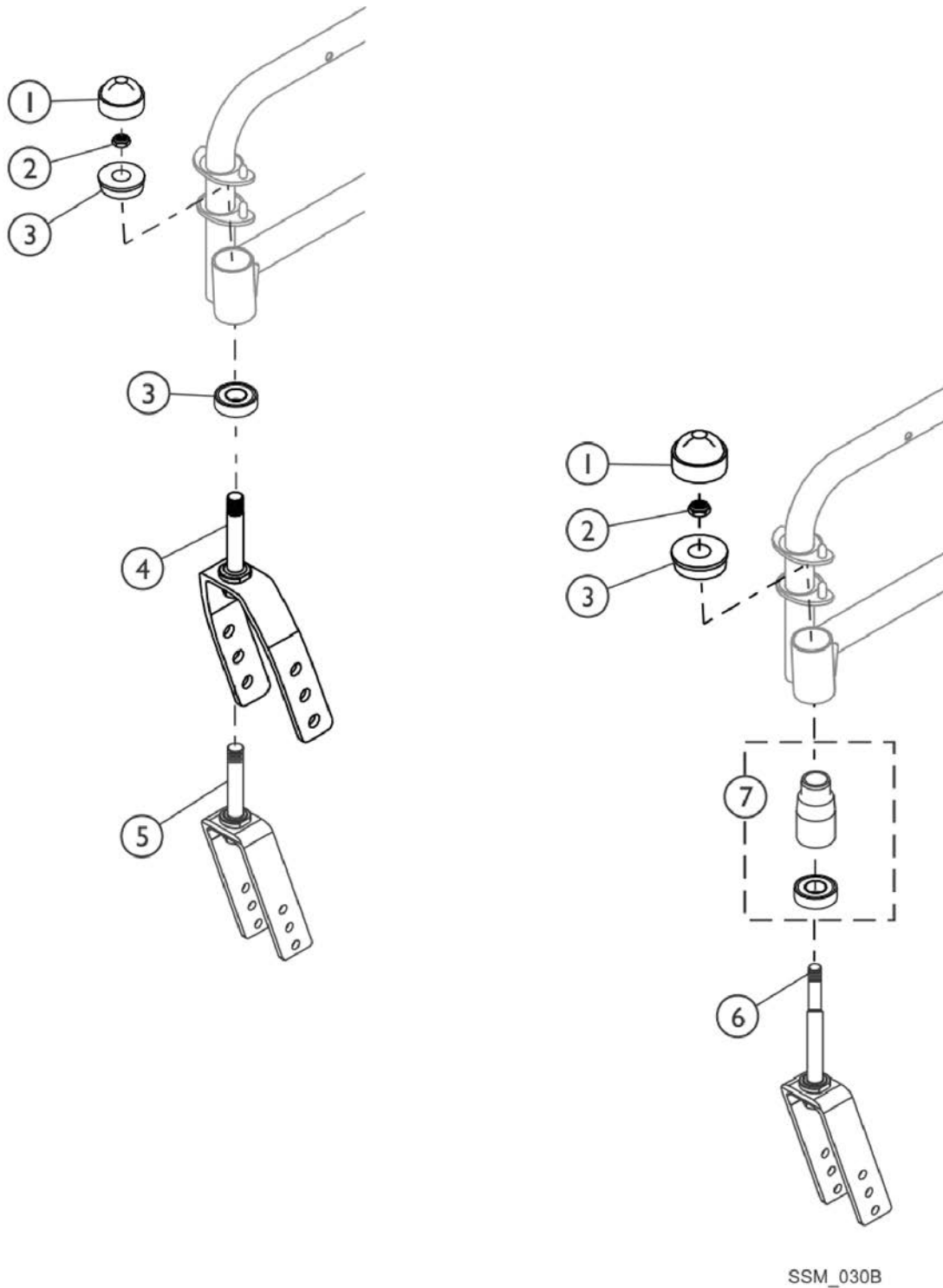
Headtube Hardware, Adjustable 9000XT Option Only

Item Number	Note	Part Number	Description	Quantity Per	
				Package	Assembly
1	A	1091074	Kit, Caster Headtube w/ Flanged Bearings and Hardware, Black (Pair)	1	1
2			Screw, Hex Head (1/4-28 x 1-3/4")	1	4
3			Tube, Insert	1	2
4			Spacer, Coved Headtube - Right	1	1
4			Spacer, Coved Headtube - Left	1	1
5			Bearing, Flange (1/2")	1	2
6			Headtube, Caster w/ Flanged Bearings, Black - Right	1	1
6			Headtube, Caster w/ Flanged Bearings, Black - Left	1	1
7			Cam, Headtube Adjustment	1	2
8			Washer (1/4 x 5/8 x 3/32")	1	2
9			Locknut (1/4-28)	1	4
1	B	1113590	Kit, Caster Headtube w/ Precision Bearings and Hardware, Black (Pair)	1	1
2			Screw, Hex Head (1/4-28 x 1-3/4")	1	4
3			Tube, Insert	1	2
4			Spacer, Coved Headtube - Right	1	1
4			Spacer, Coved Headtube - Left	1	1
5			Bearing (1/2" I.D. x 1-1/8" O.D.)	1	2
6			Headtube, Caster with Precision Bearings, Black - Right	1	1
6			NLA - Headtube, Caster with Precision Bearings, Black - Left	1	1
7			Cam, Headtube Adjustment	1	2
8			Washer (1/4 x 5/8 x 3/32")	1	2
9			Locknut (1/4-28)	1	4

NOTE: A - Includes items 2-9 and used on chairs ordered with the ADJC option.
B - Includes items 2-9 and used on chairs ordered with the ADJCPB option.

Forks and Hardware

9000SL / 9000XT / 9000XT Recliner



SSM_030B

Forks and Hardware

9000SL / 9000XT / 9000XT Recliner

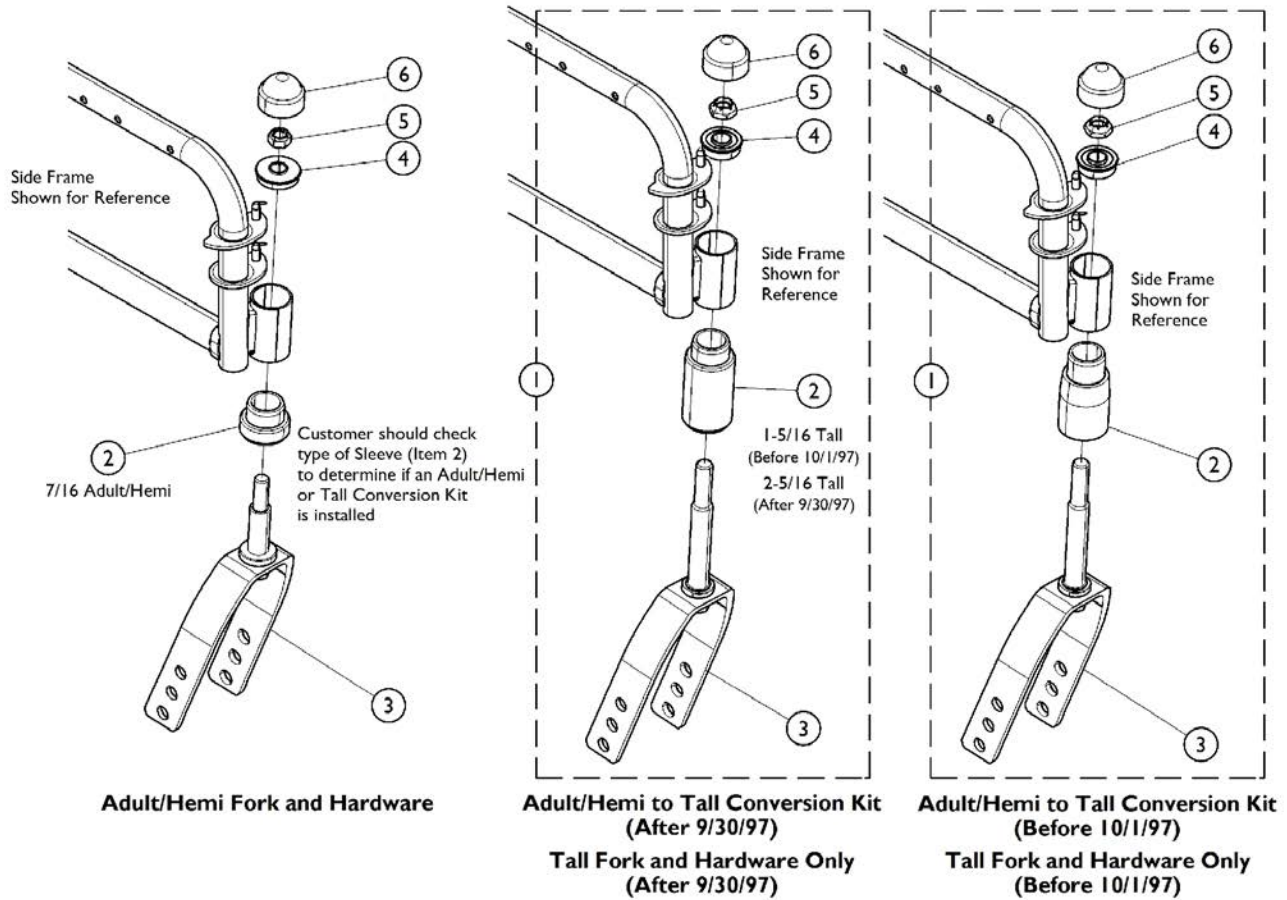
Item Number	Note	Part Number	Description	Quantity Per	
				Package	Assembly
1	E	1001843	Cap, Head Tube, Black	1	1
1	E	1131189	Package, Head Tube Cap	10	1
1	F	1192854	Cap, Head Tube, Black	1	1
2		1001979	Locknut (1/2-20)	1	1
3	E	1001801	Bearing, Flange (1/2")	1	2
3	F	1192848	Bearing, Flange (5/8")	1	2
4	A,E	1056640	Fork and Stem Assembly, Black (8" & 6 x 2" Caster)	1	1
4	A,F	1192855	Fork and Stem Assembly, Black (8" & 6 x 2" Caster)	1	1
5	B	1037420	Fork and Stem Assembly, Black (6 x 1" Caster)	1	1
5	D	1194267	Fork and Stem Assembly, Black (6 x 1" Caster)	1	1
6	C	1067784	Fork and Stem Assembly, Black (6 x 1" Caster)	1	1
7	C	1066589	Bottom Sleeve and Bearing Assembly, Black	1	1

NOTE: A - Used for 9XT/ 9SL and 9RC models.
 B - Not available for 9RC model. Used for 9XT Before 10/12/16 and ("ALL" 9SL models with 6" Casters).
 C - Only used for 9XT models with Adult S-T-F setting, AT902 6" Caster Option and a 24" Rear Wheel.
 D - Not available for 9RC model. Used for 9XT After 10/11/16 with 6" Caster.
 E - Used for 9XT, 9RC models Before 10/12/16 and ("ALL" 9SL models with 8" casters).
 F - Used for 9XT and 9RC models After 10/11/16.

Forks and Hardware

9000XDT - Adult/Hemi and Tall

When converting from an Adult/Hemi seat to floor to a Tall seat to floor wheelchair, you must also replace the Side Frames.



Forks and Hardware

9000XDT - Adult/Hemi and Tall

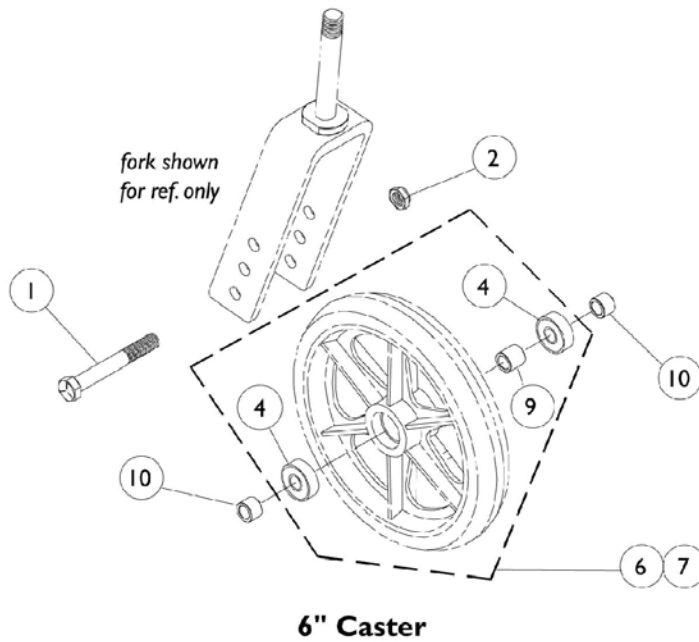
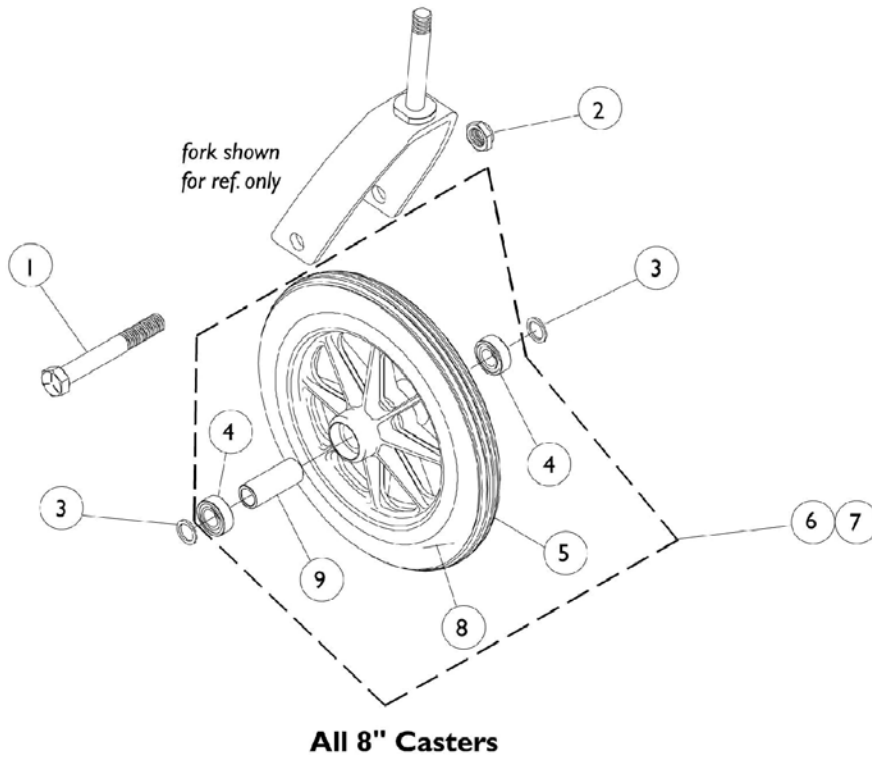
When converting from an Adult/Hemi seat to floor to a Tall seat to floor wheelchair, you must also replace the Side Frames.

Item Number	Note	Part Number	Description	Quantity Per	
				Package	Assembly
1	A,D	1070843-NLA	NLA - Kit, Conversion, Chrome, Adult/ Hemi to Tall (Pair)	2	1
1	A,E	1075042-NLA	NLA - Kit, Conversion, Chrome, Adult/ Hemi to Tall (Pair)	2	1
2	B,D	1066590-NLA	NLA - Sleeve w/ Bearing, Chrome, Tall	1	1
2	B,E	1180828	Sleeve w/ Bearing, Silver Vein (71P), Tall	1	1
2	C	1074930	Sleeve w/ Bearing, Black, Adult/Hemi	1	1
3		1065589	Fork and Stem Assembly, Adult/Hemi	1	1
3	B	1062585	Fork and Stem Assembly, Tall	1	1
4	B	1001801	Bearing, Flange (1/2")	1	1
4	C	1065530	Bearing, Flange (7/16")	1	1
5	B	1001979	Locknut (1/2-20)	1	1
5	C	20225X000	Locknut (7/16-20)	1	1
6		1001843	Cap, Head Tube, Black	1	1
	G	1037422	Kit, Wheel Lock Shoe Spacer, 22" Rear Wheels (Pair)	1	1
			Spacer, Wheel Lock Shoe (1-45/64")	1	2
			Screw, Set Socket Cup Point (#8-32 x 3/16")	1	4
	G	1070845-NLA	NLA - Instruction Sheet	1	1
	G	1075041	Instruction Sheet	1	1
6		1131189	Package, Head Tube Cap	10	1

NOTE: A - Includes items 2 - 6 and Instruction Sheet. The side frames also need to be changed when converting from an adult/hemi seat to floor to the tall seat to floor.
 B - Used with Tall Chairs only.
 C - Used with Adult/Hemi Chairs only.
 D - Before 10/1/97
 E - 10/1/97-4/11/13 Chrome replaced Black. After 4/11/13 Chrome was replaced with Silver Vein (71P). Currently their is not a Conversion Kit in Silver Vein available to replace item #1 1075042. Item #'s 2-6 and Instruction Sheet must be ordered separately.
 G - Not shown.

NOTE: 10/1/97-4/11/13 a product improvement was made to the Sleeve w/ Bearing and Black was discontinued and replaced with a Chrome finish. After 4/11/13 Chrome finish was replaced with Silver Vein (71P). Chairs with U2222 Rear Wheels will also need Wheellock Shoe Spacers w/ Hardware Part Number 1037422.

Front Casters and Mounting Hardware



Front Casters and Mounting Hardware

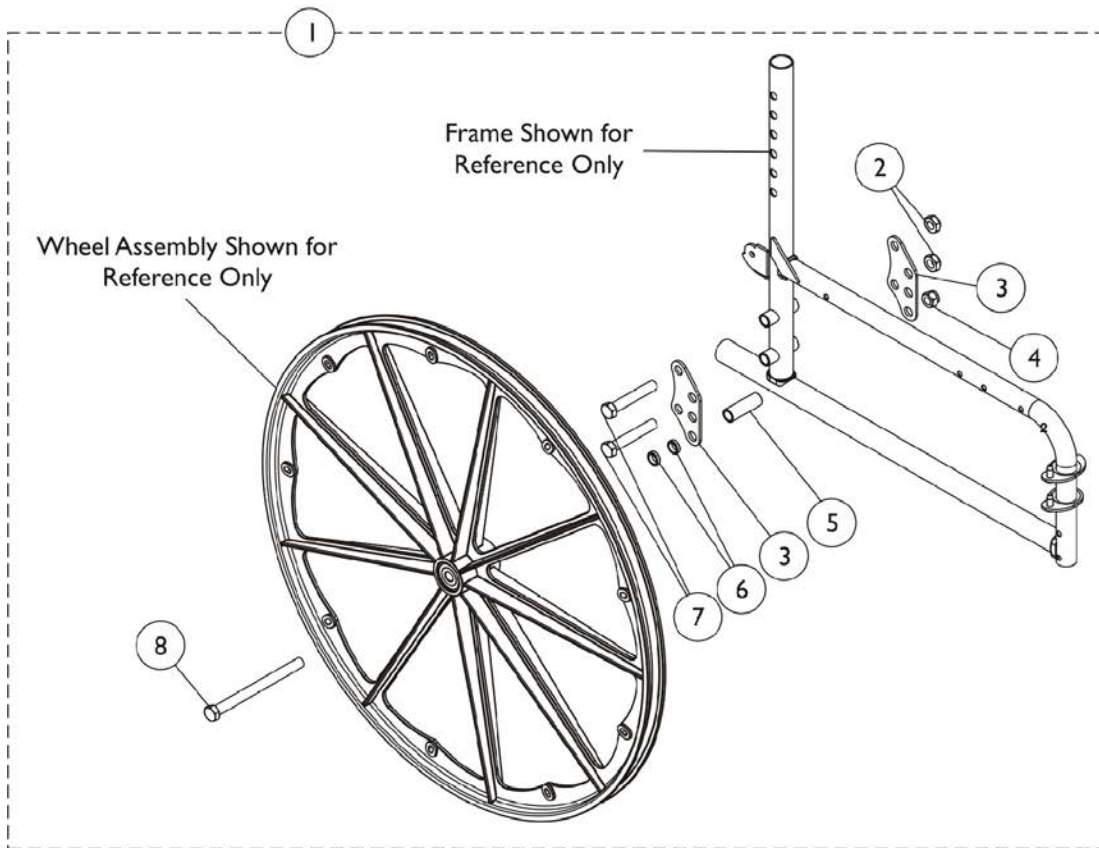
Item Number	Description	1686 Composite Light Grey Urethane 6 X 1"	AT902 Composite Dark Grey Urethane 6 X 1"	1290 Composite Cast-Charcoal 8 X 1"	AT903 Composite Urethane 8 X 1-1/4"
1	Front Axle	40317X002	40317X002	57667P007	57667P007
2	Axle Locknut	60264X001	60264X001	20225X000	20225X000
3	Axle Washer	N/A	N/A	1026101	7930312
4	Bearing	40117X026	N/A	1006049	1040102
5	Tire	N/A	N/A	1075458 See Note(s) B	1038157
6	Wheel Assembly - 1pc	1026956 See Note(s) A	1029500	1086841	1058649 See Note(s) A
7	Wheel Assembly - 1pr	N/A	1034352	1086842	N/A
8	Tube/Insert	N/A	N/A	N/A	N/A
9	Hub Spacer	1026172	N/A	1018982	1037911
10	Axle Spacer	1053202	1053202	N/A	N/A
NOTE: A - Includes tire, tube/insert, bearings, and spacer. B - Effective 1/14/05, tire color changed. Due to change, it is recommended tires be ordered in pairs. NOTE: #1686 and AT902 are not available for 9000XT Recliners.					

Front Casters and Mounting Hardware

Item Number	Description	1228 Composite Semi-Pneumatic After 6-9-97 8 X 1-3/4" See Note(s) A	1292 Composite Pneumatic 8 X 1-1/4"	1492 Composite Pneu. w/ Flat Free Insert 8 X 1-1/4"	1299 Composite Solid Rubber 8 X 1"
1	Front Axle	57667P007	57667P007	57667P007	57667P007
2	Axle Locknut	20225X000	1001979	1001979	1001979
3	Axle Washer	1016032	1016032	1016032	1026101
4	Bearing	1006049	1006049	1006049	1040102
5	Tire	--	40176X040	40176X040	1040144 See Note(s) C
6	Wheel Asm. - 1pc	1070811 See Note(s) B	1009481 See Note(s) B	1030773 See Note(s) B	1058648 See Note(s) B
7	Wheel Asm. - 1pr	1071666 See Note(s) B	--	--	--
8	Tube/Insert	--	40176X041	1010904-NLA	--
10	Axle Spacer	--	--	--	--
NOTE: A - Order in Pairs (#1071666) for chairs manufactured before 6-9-97. B - Includes tire, tube/insert, bearings, and spacer. C - Effective 1/14/05, tire color changed from grey to light grey. Due to change, it is recommended tires be ordered in pairs.					

Offset Axle with Hardware

9XT Option Only (After 8/1/02)



Offset Axle with Hardware 9XT Option Only (After 8/1/02)

Item Number	Note	Part Number	Description	Quantity Per	
				Package	Assembly
1	A	1111314	Mounting Axle Assembly	1	1
2		20225X000	Locknut (7/16-20)	1	2
3		1108525	Plate, Axle, Black	1	2
4		1045608	Locknut (7/16-20)	1	1
5		1111004	Lug, Axle, Black	1	1
6		1026101	Spacer (7/16 x 5/8 x 3/16")	1	2
7		1021755-NLA	NLA - Screw, Hex Head (7/16-20 x 2-1/2")	1	2
8		1085454	Bolt, Hex Head Cap (7/16-20 x 5-1/8")	1	1

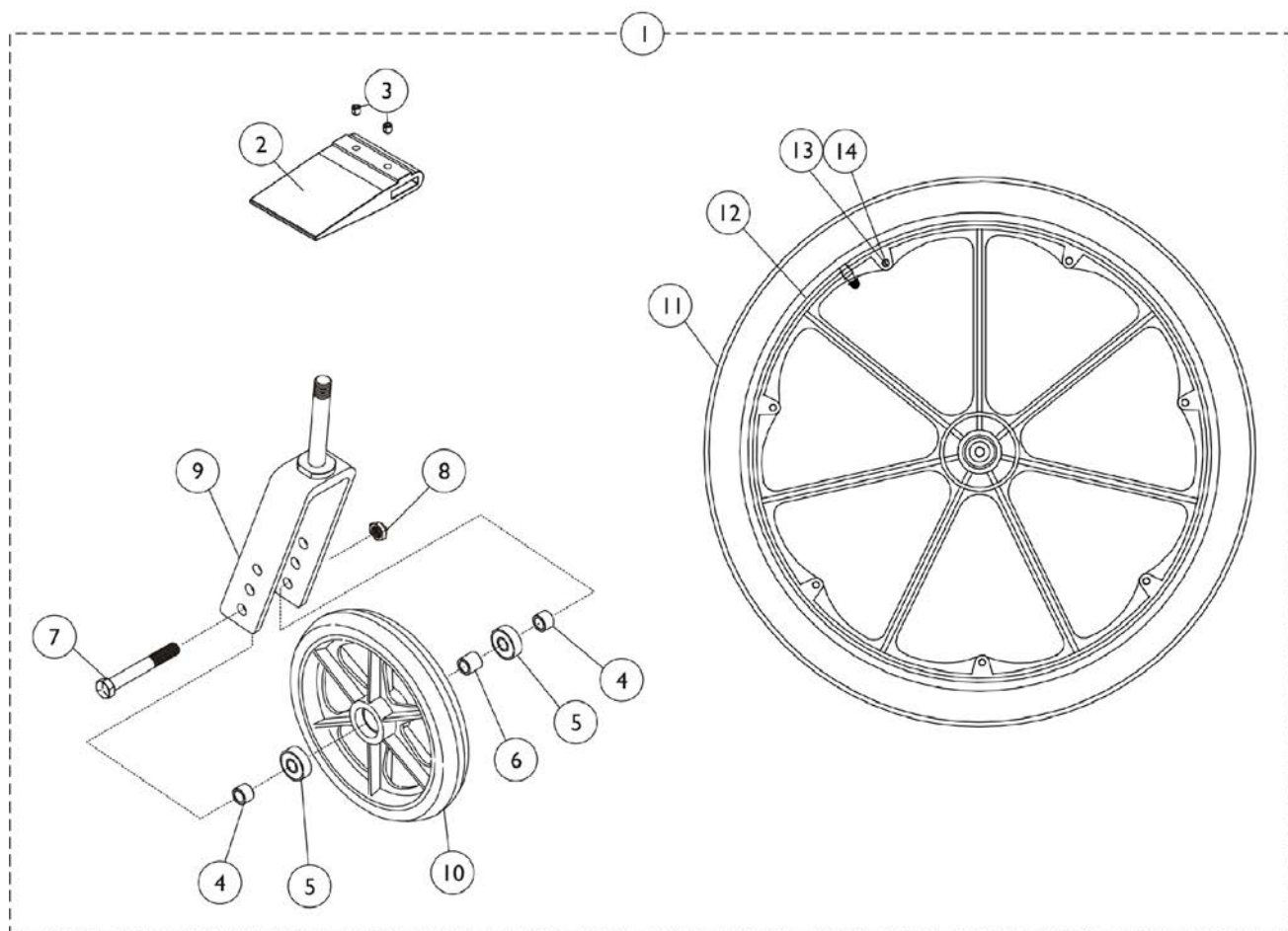
NOTE: A - Includes items 1-7.

20-6 and 22-6 Wheel Options - Aluminum Black Anodized Handrim

7/16" Bearing Only

NOTE: This item is not available for the 9000XDT or the 9000XT Recliner Wheel Chairs due to weight limitations.

NOTE: Wheel Options only available for 9XT models manufactured before 10/12/16. Can be used on ALL 9SL models with 6" Casters.



20-6 and 22-6 Wheel Options - Aluminum Black Anodized Handrim 7/16" Bearing Only

NOTE: This item is not available for the 9000XDT or the 9000XT Recliner Wheel Chairs due to weight limitations.

NOTE: Wheel Options only available for 9XT models manufactured before 10/12/16. Can be used on ALL 9SL models with 6" Casters.

20-6 and 22-6 Wheel Options - Aluminum Black Anodized Handrim

7/16" Bearing Only

NOTE: This item is not available for the 9000XDT or the 9000XT Recliner Wheel Chairs due to weight limitations.

NOTE: Wheel Options only available for 9XT models manufactured before 10/12/16. Can be used on ALL 9SL models with 6" Casters.

Item Number	Note	Part Number	Description	Quantity Per		
				Package	Assembly	
1	A,B,C	1037777-NLA	NLA - 20-6 Pneumatic Wheel Options with (6 x 1") Lt. Grey Urethane Casters	1	1	
2			Spacer, Wheel Lock Shoe (2-63/64")	1	2	
3			Screw, Set Socket Cup Point (#8-32 x 3/16")	1	4	
4			Spacer (5/16 x 7/16 x 1/4")	1	4	
5			Bearing, Flange (5/16")	1	4	
6			Spacer (5/16 x 7/16 x 15/32")	1	2	
7			Screw, Hex Head (5/16-24 x 2-1/4")	1	2	
8			Locknut (5/16-24)	1	2	
9			Fork and Stem Assembly, Black (6 x 1" Caster)	1	2	
10			NLA - Wheel Assembly, Composite, Urethane, Light Grey (6" x 1")	1	2	
11			Wheel Assembly, Composite, Pneumatic (20")	1	2	
12			Handrim, Aluminum, 7 PT, Black (34P) (20" Wheel)	1	2	
13			Screw, Phillips Pan Head w/ Patch (#10-32 x 1-3/4")	1	14	
14			Spacer (1/4 x 11/32 x 15/16")	1	14	
1	A,B,C, D	1052735	20-6 Pneumatic Wheel Options with (6 x 1") Dk. Grey Urethane Casters	1	1	
2			Spacer, Wheel Lock Shoe (2-63/64")	1	2	
3			Screw, Set Socket Cup Point (#8-32 x 3/16")	1	4	
4			Spacer (5/16 x 7/16 x 1/4")	1	4	
7			Screw, Hex Head (5/16-24 x 2-1/4")	1	2	
8			Locknut (5/16-24)	1	2	
9			Fork and Stem Assembly, Black (6 x 1" Caster)	1	2	
10			Wheel Assembly, 3 Spoke Urethane w/ Bearings, Dark Grey (6" x 1")	1	2	
11			Wheel Assembly, Composite, Pneumatic (20")	1	2	
12			Handrim, Aluminum, 7 PT, Blk Anodized (20" Wheel)	1	2	
13			Screw, Phillips Pan Head w/ Patch (#10-32 x 1-3/4")	1	14	
14			Spacer (1/4 x 11/32 x 15/16")	1	14	
1	A,B,C		1037778-NLA	NLA - 22-6 Pneumatic Wheel Options w/ (6 x 1") Lt. Grey Urethane Casters	1	1
2				Spacer, Wheel Lock Shoe (1-45/64")	1	2
3		Screw, Set Socket Cup Point (#8-32 x 3/16")		1	4	
4		Spacer (5/16 x 7/16 x 1/4")		1	4	
5		Bearing, Flange (5/16")		1	4	
6		Spacer (5/16 x 7/16 x 15/32")		1	2	
7		Screw, Hex Head (5/16-24 x 2-1/4")		1	2	

20-6 and 22-6 Wheel Options - Aluminum Black Anodized Handrim

7/16" Bearing Only

NOTE: This item is not available for the 9000XDT or the 9000XT Recliner Wheel Chairs due to weight limitations.

NOTE: Wheel Options only available for 9XT models manufactured before 10/12/16. Can be used on ALL 9SL models with 6" Casters.

Item Number	Note	Part Number	Description	Quantity Per	
				Package	Assembly
8			Locknut (5/16-24)	1	2
9			Fork and Stem Assembly, Black (6 x 1" Caster)	1	2
10			NLA - Wheel Assembly, Composite, Urethane, Light Grey (6" x 1")	1	2
11			Wheel Assembly, Composite, Pneumatic (22")	1	2
12			Handrim, Aluminum, 7 PT, Black (34P) (22" Wheel)	1	2
13			Screw, Phillips Pan Head w/ Patch (#10-32 x 1-3/4")	1	14
14			Spacer (1/4 x 11/32 x 15/16")	1	14
1	A,B,C	1052736	22-6 Pneumatic Wheel Options with (6 x 1") Dk. Grey Urethane Casters	1	1
2			Spacer, Wheel Lock Shoe (1-45/64")	1	2
3			Screw, Set Socket Cup Point (#8-32 x 3/16")	1	4
4			Spacer (5/16 x 7/16 x 1/4")	1	4
5			Bearing, Flange (5/16")	1	4
6			Spacer (5/16 x 7/16 x 15/32")	1	2
7			Screw, Hex Head (5/16-24 x 2-1/4")	1	2
8			Locknut (5/16-24)	1	2
9			Fork and Stem Assembly, Black (6 x 1" Caster)	1	2
10			NLA - Wheel, Urethane (6")	1	2
11			Wheel Assembly, Composite, Pneumatic (22")	1	2
12			Handrim, Aluminum, 7 PT, Blk Anodized (22" Wheel)	1	2
13			Screw, Phillips Pan Head w/ Patch (#10-32 x 1-3/4")	1	14
14			Spacer (1/4 x 11/32 x 15/16")	1	14
1	A,B,C	1064482	20-6 Urethane Wheel Options with (6 x 1") Lt. Grey Urethane Casters	1	1
2			Spacer, Wheel Lock Shoe (2-63/64")	1	2
3			Screw, Set Socket Cup Point (#8-32 x 3/16")	1	4
4			Spacer (5/16 x 7/16 x 1/4")	1	4
5			Bearing, Flange (5/16")	1	4
6			Spacer (5/16 x 7/16 x 15/32")	1	2
7			Screw, Hex Head (5/16-24 x 2-1/4")	1	2
8			Locknut (5/16-24)	1	2
9			Fork and Stem Assembly, Black (6 x 1" Caster)	1	2
10			NLA - Wheel Assembly, Composite, Urethane, Light Grey (6" x 1")	1	2
11			Wheel Assembly, Composite, Urethane (20")	1	2
12			Handrim, Aluminum, 7 PT, Blk Anodized (20" Wheel)	1	2

20-6 and 22-6 Wheel Options - Aluminum Black Anodized Handrim

7/16" Bearing Only

NOTE: This item is not available for the 9000XDT or the 9000XT Recliner Wheel Chairs due to weight limitations.

NOTE: Wheel Options only available for 9XT models manufactured before 10/12/16. Can be used on ALL 9SL models with 6" Casters.

Item Number	Note	Part Number	Description	Quantity Per	
				Package	Assembly
13	A,B,C	1064476	Screw, Phillips Pan Head w/ Patch (#10-32 x 1-3/4")	1	14
14			Spacer (1/4 x 11/32 x 15/16")	1	14
1			20-6 Urethane Wheel Options with (6 x 1") Dk. Grey Urethane Casters	1	1
2			Spacer, Wheel Lock Shoe (2-63/64")	1	2
3			Screw, Set Socket Cup Point (#8-32 x 3/16")	1	4
4			Spacer (5/16 x 7/16 x 1/4")	1	4
5			Bearing, Flange (5/16")	1	4
6			Spacer (5/16 x 7/16 x 15/32")	1	2
7			Screw, Hex Head (5/16-24 x 2-1/4")	1	2
8			Locknut (5/16-24)	1	2
9			Fork and Stem Assembly, Black (6 x 1" Caster)	1	2
10			NLA - Wheel, Urethane (6")	1	2
11	Wheel Assembly, Composite, Urethane (20")	1	2		
12	Handrim, Aluminum, 7 PT, Blk Anodized (20" Wheel)	1	2		
13	A,B,C	1064483	Screw, Phillips Pan Head w/ Patch (#10-32 x 1-3/4")	1	14
14			Spacer (1/4 x 11/32 x 15/16")	1	14
1			22-6 Urethane Wheel Options with (6 x 1") Lt. Grey Urethane Casters	1	1
2			Spacer, Wheel Lock Shoe (1-45/64")	1	2
3			Screw, Set Socket Cup Point (#8-32 x 3/16")	1	4
4			Spacer (5/16 x 7/16 x 1/4")	1	4
5			Bearing, Flange (5/16")	1	4
6			Spacer (5/16 x 7/16 x 15/32")	1	2
8			Locknut (5/16-24)	1	2
9			Fork and Stem Assembly, Black (6 x 1" Caster)	1	2
10			NLA - Wheel Assembly, Composite, Urethane, Light Grey (6" x 1")	1	2
11			Wheel Assembly, Composite, Urethane (22")	1	2
12	Handrim, Aluminum, 7 PT, Blk Anodized (22" Wheel)	1	2		
13	A,B,C	1064477	Screw, Phillips Pan Head w/ Patch (#10-32 x 1-3/4")	1	14
14			Spacer (1/4 x 11/32 x 15/16")	1	14
1			22-6 Urethane Wheel Options with (6 x 1") Dk. Grey Urethane Casters	1	1
2			Spacer, Wheel Lock Shoe (1-45/64")	1	2
3	Screw, Set Socket Cup Point (#8-32 x 3/16")	1	4		
4	Spacer (5/16 x 7/16 x 1/4")	1	4		

20-6 and 22-6 Wheel Options - Aluminum Black Anodized Handrim

7/16" Bearing Only

NOTE: This item is not available for the 9000XDT or the 9000XT Recliner Wheel Chairs due to weight limitations.

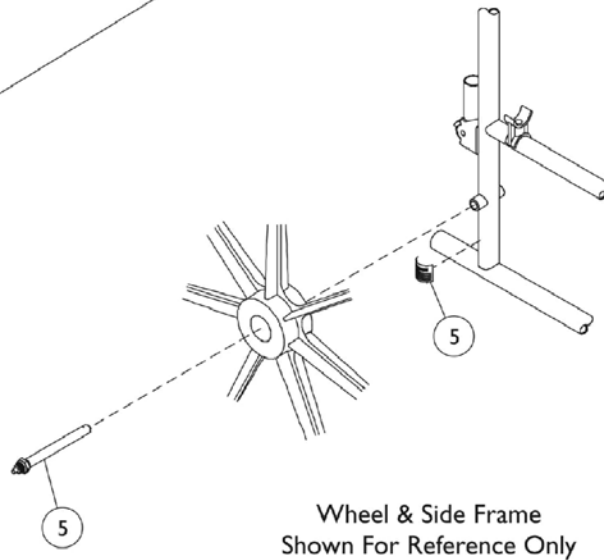
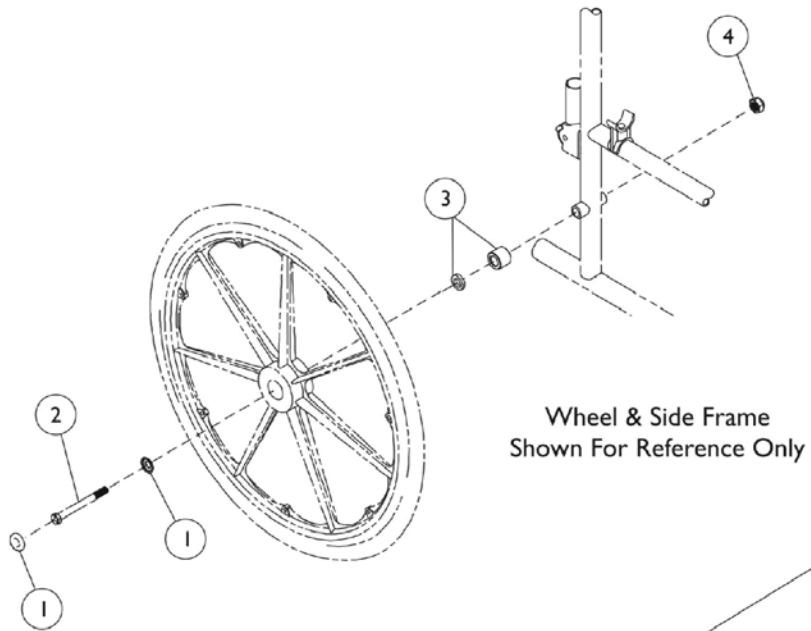
NOTE: Wheel Options only available for 9XT models manufactured before 10/12/16. Can be used on ALL 9SL models with 6" Casters.

Item Number	Note	Part Number	Description	Quantity Per	
				Package	Assembly
5			Bearing, Flange (5/16")	1	4
6			Spacer (5/16 x 7/16 x 15/32")	1	2
7			Screw, Hex Head (5/16-24 x 2-1/4")	1	2
8			Locknut (5/16-24)	1	2
9			Fork and Stem Assembly, Black (6 x 1" Caster)	1	2
10			NLA - Wheel, Urethane (6")	1	2
11			Wheel Assembly, Composite, Urethane (22")	1	2
12			Handrim, Aluminum, 7 PT, Blk Anodized (22" Wheel)	1	2
13			Screw, Phillips Pan Head w/ Patch (#10-32 x 1-3/4")	1	14
14			Spacer (1/4 x 11/32 x 15/16")	1	14

NOTE: A - Includes items 2-14.
 B - These wheel options can be used in conjunction with Amputee Attachments for 9000SL and 9000XT only.
 C - In order to convert the chair to hemi seat-to-floor height, please refer to the seat-to-floor matrix in the price list and/or the service manual.
 D - Item number 10 includes the Wheel and Items 5 and 6.

As of 8/11/15 Alum. 34P Black Handrims were replaced with Alum. Black Anodized Handrims. NOTE: NOTE: This item is not available for the 9000XDT or the 9000XT Recliner Wheel Chairs due to weight limitations.
 NOTE: Wheel Options only available for 9XT models manufactured before 10/12/16. Can be used on ALL 9SL models with 6" Casters.

Rear Wheel Hardware



Rear Wheel Hardware

Rear Wheel Hub Cap

Part Number	Description
1027600-NLA See Note(s) A	#1 Hub Cap, Black
1047943 See Note(s) B, C	#1 Hub Cap w/Hardware, Black

NOTE: A - Before 11/19/98.
B - After 11/20/98.
C - Includes: (1) Caplug washer #1016289 and (1) Caplug cap #1016291.

Rear Wheel Attaching Hardware

Description	Hardware Kit	#2 Axle	#3 Spacer	#4 Locknut
Arm Style 78 and 88	1034106 See Note(s) A, B	47203X029	N/A	1045608
Arm Style 18, 19, 19JY, 28, 29 and 29JY	1034109 See Note(s) A, B, D	1085454	1022671	1045608
Arm Style 79, 79JY, 89 and 89JY	1110319 See Note(s) B, A	47203X025	1026101	1045608
9000 XT Recliner	1067777 See Note(s) A, C	1028554-NLA	1079153-NLA	60030X000

NOTE: A - Includes items 2, 3 and 4.
B - Includes 7/16" Axle.
C - Includes 5/8" Axle.
D - Not Shown. Components contained in Kit Hardware 1034109 must be ordered separately. Order part #1085454 Bolt, 1045608 Locknut, 1022671 Spacer.

Quick Release Axle Rear Wheel Hardware

Description	Part Number
#5 Quick Release Axle - Conventional Arms	1034113
#5 Quick Release Axle - Space Saver Arms	1034114

Rear Wheels

NOTE: All Wheels are Composite.

5/8" Axle - 9000XT Recliner

Wheel Style	Handrim Attaching Point	Single Wheel Assembly	Tire	Tube/Insert	Bearing	Bearing Spacer
1763BK Pneumatic 20x1-3/8"	7	1037418 <small>See Note(s) A, B</small>	1017519	1017520	40117X006	1019695-NLA
U1763BK Urethane 20X1-1/4"	7	1075995 <small>See Note(s) A, B</small>	1037774	N/A	40117X006	1019695-NLA
1764BK Pneumatic 22 x 1-3/8"	7	1037419 <small>See Note(s) B, A</small>	1018544	1018545	40117X006	1019695-NLA
U1764BK Urethane 22 x 1-1/4"	7	1075996 <small>See Note(s) A, B</small>	1028250	N/A	40117X006	1019695-NLA
2222BK Composite w/DTM Tire 24 x 7/8"	9	1123885 <small>See Note(s) A</small>	1039304 <small>See Note(s) G</small>	N/A	40117X006	1019695-NLA
U2222 Urethane 24 x 1" (9 Spoke)	6	1055659-NLA <small>See Note(s) A, D</small>	1039304 <small>See Note(s) G, D</small>	N/A	40117X006 <small>See Note(s) D</small>	1019695-NLA <small>See Note(s) D</small>
U2222 Urethane 24 x 1" (9 Spoke)	6	1080383-NLA <small>See Note(s) F, A, E</small>	1080400 <small>See Note(s) F, E</small>	N/A	40117X006 <small>See Note(s) E</small>	1015756 <small>See Note(s) E</small>
U2222C Corded Urethane 24 x 1" (9 Spoke)	6	1121043	1118209 <small>See Note(s) G</small>	N/A	40117X006	1015756
2244BK Pneumatic 24 x 1-3/8"	7	1034128 <small>See Note(s) A</small>	40176X060	40176X061	40117X006	1019695-NLA
U2244BK Urethane 24 x 1-1/4" (7 Spoke)	7	1034130 <small>See Note(s) A</small>	1026904	N/A	40117X006	1019695-NLA
4244BK Pneumatic w/Flat Free Insert 24 x 1-3/8" <small>See Note(s) C</small>	7	1034129 <small>See Note(s) A</small>	40176X060	1010906	40117X006	1019695-NLA

Rear Wheels

NOTE: All Wheels are Composite.

5/8" Axle - 9000XT Recliner

Wheel Style	Handrim Attaching Point	Single Wheel Assembly	Tire	Tube/Insert	Bearing	Bearing Spacer
4763BK Pneumatic w/Flat Free Insert 20 x 1-3/8" See Note(s) C	7	1037416 See Note(s) A, B	1017519	1023322	40117X006	1019695-NLA
4764BK Pneumatic w/Flat Free Insert 22 x 1-3/8" See Note(s) C	7	1037417 See Note(s) A, B	1018544	1023323	40117X006	1019695-NLA
<p>NOTE: A - Does not include handrim. Includes tire, tube/insert, bearing and spacer. B - When ordering 20 or 22" wheels, a wheel lock shoe spacer may also be required. See category titled, "Wheel Locks." C - Wheels with Flat Free Inserts have a plug which caps an opening in the rim. See page titled, "Rear Wheel Hardware" for plug. D - Before 11/20/98. E - After 11/19/98. F - Non-Corded Tire replaced with a Corded Tire as of 11/16/09. refer to Wheel Style U2222C part #1121043 for a wheel assembly or part #1118209 for a tire. For chairs manufactured before 11/16/09, it is recommended to order (2) each in quantity to match. G - Corded Tires maybe more difficult to stretch over the wheel rim. The complete wheel assembly that has the tire and the wheel rim preassembled maybe advisable.</p> <p>NOTE: All Wheels are Composite.</p>						

Rear Wheels

NOTE: All Wheels are Composite.

7/16" Axle - 9000SL/XT/XDT

Wheel Style	Handrim Attaching Points	Single Wheel Assembly	Tire	Tube/Insert	Bearing	Bearing Spacer
1763BK Pneumatic 20x1-3/8"	7	1034126 <small>See Note(s) A, B</small>	1017519	1017520	40117X024	1015756
U1763BK Urethane 20X1-1/4"	7	1038555 <small>See Note(s) B, A</small>	1037774	N/A	40117X024	1015756
1764BK Pneumatic 22 x 1-3/8"	7	1027149 <small>See Note(s) A, B</small>	1018544	1018545	40117X024	1015756
U1764BK Urethane 22 x 1-1/4"	7	1032115 <small>See Note(s) B, A</small>	1028250	N/A	40117X024	1015756
U2222 Urethane 24 x 1" (9 Spoke)	6	1044193 <small>See Note(s) A, D</small>	1039304 <small>See Note(s) F, D</small>	N/A	40117X024 <small>See Note(s) D</small>	1015756 <small>See Note(s) D</small>
U2222 Urethane 24 x 1" (9 Spoke)	6	1080378 <small>See Note(s) G, A, E</small>	1080400 <small>See Note(s) G, E</small>	N/A	40117X024	1015756
U2222C Corded Urethane 24 x 1" (9 Spoke)	6	1122726 <small>See Note(s) A, H</small>	1118209 <small>See Note(s) H, C, F</small>	N/A	40117X024 <small>See Note(s) E</small>	1015756 <small>See Note(s) E</small>
2244BK Pneumatic 24 x 1-3/8"	7	1025123 <small>See Note(s) A</small>	40176X060	40176X061	40117X024	1015756
U2244BK Urethane 24 x 1-1/4" 7 Spoke	7	1032117 <small>See Note(s) A</small>	1026904	N/A	40117X024	1015756
4244BK Pneumatic w/Flat Free Insert 24 x 1-3/8" <small>See Note(s) C</small>	7	1025124 <small>See Note(s) A</small>	40176X060	1010906	40117X024	1015756
4763BK Pneumatic w/Flat Free Insert 20 x 1-3/8" <small>See Note(s) C</small>	7	1034127 <small>See Note(s) B, A</small>	1017519	1023322	40117X024	1015756

Rear Wheels

NOTE: All Wheels are Composite.

7/16" Axle - 9000SL/XT/XDT

Wheel Style	Handrim Attaching Points	Single Wheel Assembly	Tire	Tube/Insert	Bearing	Bearing Spacer
4764BK Pneumatic w/Flat Free Insert 22 x 1-3/8" See Note(s) C	7	1027150 See Note(s) B, A	1018544	1023323	40117X024	1015756
5244BK Pneumatic w/Flat Free Insert 24 x 1-3/8" 9XDT Heavy Duty See Note(s) C	7	1066438 See Note(s) A	40176X060	1045280	40117X024	1019695-NLA

NOTE: A - Includes tire, tube/insert, bearing, and spacer. Does not include handrim.
 B - When ordering 20 or 22" wheels, a wheel lock shoe spacer may also be required. See Wheel Locks.
 C - Wheels with Flat Free Inserts have a plug which caps an opening in the rim. See category titled, "Rear Wheel Hardware" for plug.
 D - Before 11/20/98
 E - After 11/19/98
 F - Corded Tires maybe more difficult to stretch over the wheel rim. The complete wheel assembly that has the tire and wheel rim preassembled maybe advisable.
 G - Non-Corded Tire replaced with Corded Tire as of 11/16/09. Refer to Wheel style U2222C part #1122726 for a wheel assembly or part #1118209 for a tire. For chairs manufactured before 11/16/09, it is recommended to order (2) each in quantity to match.
 H - The U2222C Wheel Style is still used for 9XDT Heavy Duty and all other models that used U2222 Wheel Style before 11/16/09

Rear Wheel and Handrim Assemblies

Assemblies include (1) ea. per side: Wheel, Handrim and Attaching Hardware. 5/8" axle rear wheels are used for 9RC models only.

As of 8/11/15 Chrome Handrims were replaced by Alum. Clear Anodized and Alum. Black 34P was replaced by Alum. Black Anodized Handrims ON-CHAIR.

Rear Wheel and Handrim Assemblies - 20" Wheel with 5/8" Axle

9000XT Recliner

Wheel Type Model Number	Description	Part Number
1763BK	Assembly, Wheel 20" 5/8" Axle, Composite Pneumatic - Alum. Clear Anodized Handrim	1133352 See Note(s) A, C
1763BK	Assembly, Wheel 20" 5/8" Axle, Composite Pneumatic - Alum. Black Anodized Handrim	1133353 See Note(s) C, A
1763BK	Assembly, Wheel 20" 5/8" Axle, Composite Pneumatic - Plastic Coated Handrim	1133354 See Note(s) A
U1763BK	Assembly, Wheel 20" 5/8" Axle, Composite Urethane - Alum. Clear Anodized Handrim	1133355 See Note(s) C, B
U1763BK	Assembly, Wheel 20" 5/8" Axle, Composite Urethane - Alum. Black Anodized Handrim	1133356 See Note(s) C, B
U1763BK	Assembly, Wheel 20" 5/8" Axle, Composite Urethane - Plastic Coated Handrim	1133357 See Note(s) B
4763BK	Assembly, Wheel 20" 5/8" Axle, Composite Pneumatic with Flat Free Inserts - Alum. Clear Anodized Handrim	1133364 See Note(s) C
4763BK	Assembly, Wheel 20" 5/8" Axle, Composite Pneumatic with Flat Free Inserts - Alum. Black Anodized Handrim	1133365 See Note(s) C
4763BK	Assembly, Wheel 20" 5/8" Axle, Composite Pneumatic with Flat Free Inserts - Plastic Coated Handrim	1133366
<p>NOTE: A - 20 x 1-1/8" Wheel B - 20 x 1-1/4" Wheel C - Chrome Handrims have been replaced with Alum. Clear Anodized Handrims. Alum. 34P Black Handrims have been replaced with Alum. Black Anodized Handrims. It is recommended to order in pairs to match.</p>		

Rear Wheel and Handrim Assemblies

Assemblies include (1) ea. per side: Wheel, Handrim and Attaching Hardware. 5/8" axle rear wheels are used for 9RC models only.

As of 8/11/15 Chrome Handrims were replaced by Alum. Clear Anodized and Alum. Black 34P was replaced by Alum. Black Anodized Handrims ON-CHAIR.

Rear Wheel and Handrim Assemblies - 22" Wheel with 5/8" Axle

9000XT Recliner

Wheel Type Model Number	Description	Part Number
4764BK See Note(s) A	Assembly, Wheel 22", 5/8" Axle, Composite Pneumatic with Flat Free Insert - Alum. Clear Anodized Handrim	1133367
4764BK	Assembly, Wheel 22", 5/8" Axle, Composite Pneumatic with Flat Free Insert - Alum. Black Anodized Handrim	1133368 See Note(s) A
4764BK	Assembly, Wheel 22", 5/8" Axle, Composite Pneumatic with Flat Free Insert - Plastic Coated Handrim	1133369
1764BK	Assembly, Wheel 22", 5/8" Axle, Composite Pneumatic - Alum. Clear Anodized Handrim	1133358 See Note(s) A
1764BK	Assembly, Wheel 22", 5/8" Axle, Composite Pneumatic - Alum. Black Anodized Handrim	1133359 See Note(s) A
1764BK	Assembly, Wheel 22", 5/8" Axle, Composite Pneumatic - Plastic Coated Handrim	1133360
U1764BK	Assembly, Wheel 22", 5/8" Axle, Composite Urethane - Alum. Clear Anodized Handrim	1133361 See Note(s) A
U1764BK	Assembly, Wheel 22", 5/8" Axle, Composite Urethane - Alum. Black Anodized Handrim	1133362 See Note(s) A
U1764BK	Assembly, Wheel 22", 5/8" Axle, Composite Urethane - Plastic Coated Handrim	1133363

NOTE: A - Chrome Handrims have been replaced with Alum. Clear Anodized Handrims. Alum. 34P Black Handrims have been replaced with Alum. Black Anodized Handrims. It is recommended to order in pairs to match.

Rear Wheel and Handrim Assemblies

Assemblies include (1) ea. per side: Wheel, Handrim and Attaching Hardware. 5/8" axle rear wheels are used for 9RC models only.

As of 8/11/15 Chrome Handrims were replaced by Alum. Clear Anodized and Alum. Black 34P was replaced by Alum. Black Anodized Handrims ON-CHAIR.

Rear Wheel and Handrim Assemblies - 24" Wheel with 5/8" Axle

9000XT Recliner

Wheel Type Model Number	Description	Part Number
U2222C	Assembly, Wheel 24", 5/8" Axle, Composite Urethane - Alum. Clear Anodized Handrim	1133297 See Note(s) C, A
U2222C	Assembly, Wheel 24", 5/8" Axle, Composite Urethane - Composite Handrim	1133298 See Note(s) A
U2222C	Assembly, Wheel 24", 5/8" Axle, Composite Urethane - Plastic Coated Handrim	1133299 See Note(s) A
U2244BK	Assembly, Wheel 24", 5/8" Axle, Composite Urethane - Alum. Clear Anodized Handrim	1133302 See Note(s) D, C
U2244BK	Assembly, Wheel 24", 5/8" Axle, Composite Urethane - Alum. Black Anodized Handrim	1133303 See Note(s) C, D
U2244BK	Assembly, Wheel 24", 5/8" Axle, Composite Urethane - Composite Handrim	1133304 See Note(s) C
U2244BK	Assembly, Wheel 24", 5/8" Axle, Composite Urethane - Plastic Coated Handrim	1133305 See Note(s) C
2244BK	Assembly, Wheel 24", 5/8" Axle, Composite Pneumatic - Alum. Clear Anodized Handrim	1133310 See Note(s) D
2244BK	Assembly, Wheel 24", 5/8" Axle, Composite Pneumatic - Alum. Black Anodized Handrim	1133311 See Note(s) D
2244BK	Assembly, Wheel 24", 5/8" Axle, Composite Pneumatic - Composite Handrim	1133312
2244BK	Assembly, Wheel 24", 5/8" Axle, Composite Pneumatic - Plastic Coated Handrim	1133313
4244BK	Assembly, Wheel 24", 5/8" Axle, Composite Pneumatic with Flat Free Insert - Alum. Clear Anodized Handrim	1133314 See Note(s) D
4244BK	Assembly, Wheel 24", 5/8" Axle, Composite Pneumatic with Flat Free Insert - Alum. Black Anodized Handrim See Note(s) D	1133315 See Note(s) D

Rear Wheel and Handrim Assemblies

Assemblies include (1) ea. per side: Wheel, Handrim and Attaching Hardware. 5/8" axle rear wheels are used for 9RC models only.

As of 8/11/15 Chrome Handrims were replaced by Alum. Clear Anodized and Alum. Black 34P was replaced by Alum. Black Anodized Handrims ON-CHAIR.

Rear Wheel and Handrim Assemblies - 24" Wheel with 5/8" Axle

9000XT Recliner

Wheel Type Model Number	Description	Part Number
4244BK	Assembly, Wheel 24", 5/8" Axle, Composite Pneumatic with Flat Free Insert - Composite Handrim	1133316
4244BK	Assembly, Wheel 24", 5/8" Axle, Composite Pneumatic with Flat Free Insert - Plastic Coated Handrim	1133317
5244BK	Assembly, Wheel 24", 5/8" Axle, Pneumatic w/ FF - Alum. Clear Anodized Handrim See Note(s) D	1133301 See Note(s) D, B
<p>NOTE: A - As of 11/16/09 the Bill of Material was changed to replace the Non-Corded Tire with a Corded Tire. For chairs manufactured before 11/16/09, it is recommended to order (2) each in quantity to match B - 24 x 1-3/4" Pneumatic Tire. C - 24" Urethane Tire. D - Chrome Handrims have been replaced with Alum. Clear Anodized Handrims. Alum. 34P Black Handrims have been replaced with Alum. Black Anodized Handrims. It is recommended to order in pairs to match.</p>		

Rear Wheel and Handrim Assemblies

Assemblies include (1) ea. per side: Wheel, Handrim and Attaching Hardware. 5/8" axle rear wheels are used for 9RC models only.

As of 8/11/15 Chrome Handrims were replaced by Alum. Clear Anodized and Alum. Black 34P was replaced by Alum. Black Anodized Handrims ON-CHAIR.

Rear Wheel and Handrim Assemblies - 20" Wheel with 7/16" Axle

9000SL/ XT/ XDT

Wheel Type Model Numbers	Description	Part Number
1763BK	Assembly, Wheel 20" 7/16" Axle, Composite Pneumatic - Alum. Clear Anodized Handrim	1133336 See Note(s) A
1763BK	Assembly, Wheel 20" 7/16" Axle, Composite Pneumatic - Alum. Black Anodized Handrim	1133337 See Note(s) A
1763BK	Assembly, Wheel 20" 7/16" Axle, Composite Pneumatic - Plastic Coated Handrim	1133338
U1763BK	Assembly, Wheel 20" 7/16" Axle, Composite Urethane - Alum. Clear Anodized Handrim	1133318 See Note(s) A
U1763BK	Assembly, Wheel 20" 7/16" Axle, Composite Urethane - Alum. Black Anodized Handrim	1133319 See Note(s) A
U1763BK	Assembly, Wheel 20" 7/16" Axle, Composite Urethane - Plastic Coated Handrim	1133320
4763BK	Assembly, Wheel 20" 7/16" Axle, Composite with Flat Free Insert - Alum. Clear Anodized Handrim	1133342 See Note(s) A
4763BK	Assembly, Wheel 20" 7/16" Axle, Composite with Flat Free Insert - Alum. Black Anodized Handrim	1133343 See Note(s) A
4763BK	Assembly, Wheel 20" 7/16" Axle, Composite with Flat Free Insert - Plastic Coated Handrim	1133344
NOTE: A - Chrome Handrims have been replaced with Alum. Clear Anodized Handrims. Alum. 34P Black Handrims have been replaced with Alum. Black Anodized Handrims. It is recommended to order in pairs to match.		

Rear Wheel and Handrim Assemblies

Assemblies include (1) ea. per side: Wheel, Handrim and Attaching Hardware. 5/8" axle rear wheels are used for 9RC models only.

As of 8/11/15 Chrome Handrims were replaced by Alum. Clear Anodized and Alum. Black 34P was replaced by Alum. Black Anodized Handrims ON-CHAIR.

Rear Wheel & Handrim Assemblies - 22" Wheel w/ 7/16" Axle

9000SL/ XT/ XDT

Wheel Type Model Number	Description	Part Number
1764BK	Assembly, Wheel 22" 7/16" Axle, Composite Pneumatic - Alum. Clear Anodized Handrim	1133339 See Note(s) C, B
1764BK	Assembly, Wheel 22" 7/16" Axle, Composite Pneumatic - Alum. Black Anodized Handrim	1133340 See Note(s) B, C
1764BK	Assembly, Wheel 22" 7/16" Axle, Composite Pneumatic - Plastic Coated Handrim	1133341 See Note(s) B
U1764BK	Assembly, Wheel 22" 7/16" Axle, Composite Urethane - Alum. Clear Anodized Handrim	1133321 See Note(s) A, C
U1764BK	Assembly, Wheel 22" 7/16" Axle, Composite Urethane - Alum. Black Anodized Handrim	1133322 See Note(s) C, A
U1764BK	Assembly, Wheel 22" 7/16" Axle, Composite Urethane - Plastic Coated Handrim	1133323 See Note(s) A
4764BK	Assembly, Wheel 22" 7/16" Axle, Composite Pneumatic with Flat Free Insert - Alum. Clear Anodized Handrim	1133345 See Note(s) B, C
4764BK	Assembly, Wheel 22" 7/16" Axle, Composite Pneumatic with Flat Free Insert - Alum. Black Anodized Handrim	1133346 See Note(s) C, B
4764BK	Assembly, Wheel 22" 7/16" Axle, Composite Pneumatic with Flat Free Insert - Plastic Coated Handrim	1133347 See Note(s) B
<p>NOTE: A - 22 x 1-1/4" Wheel B - 22 x 1-3/8" Wheel C - Chrome Handrims have been replaced with Alum. Clear Anodized Handrims. Alum. 34P Black Handrims have been replaced with Alum. Black Anodized Handrims. It is recommended to order in pairs to match.</p>		

Rear Wheel and Handrim Assemblies

Assemblies include (1) ea. per side: Wheel, Handrim and Attaching Hardware. 5/8" axle rear wheels are used for 9RC models only.

As of 8/11/15 Chrome Handrims were replaced by Alum. Clear Anodized and Alum. Black 34P was replaced by Alum. Black Anodized Handrims ON-CHAIR.

Rear Wheel and Handrim Assemblies - 24" Wheel with 7/16" Axle

9000SL/ XT/ XDT

Wheel Type Model Number	Description	Part Number
U2222C	Assembly, Wheel 24", 7/16" Axle, Composite Urethane 6 pt. Alum. Clear Anodized Handrim	1133306 See Note(s) A, D
U2222C	Assembly, Wheel 24", 7/16" Axle, Composite Urethane 6 pt. Plastic Coated Handrim	1133307 See Note(s) A
U2222C	Assembly, Wheel 24", 7/16" Axle, Composite Urethane - 9 pt. Composite Handrim	1152229 See Note(s) B
2244BK	Assembly, Wheel 24", 7/16" Axle, Composite Pneumatic - Alum. Clear Anodized Handrim	1133324 See Note(s) D
2244BK	Assembly, Wheel 24", 7/16" Axle, Composite Pneumatic - Alum. Black Anodized Handrim	1133325 See Note(s) D
2244BK	Assembly, Wheel 24", 7/16" Axle, Composite Pneumatic - Composite Handrim	1133326
2244BK	Assembly, Wheel 24", 7/16" Axle, Composite Pneumatic - Plastic Coated Handrim	1133327
U2244BK	Assembly, Wheel 24", 7/16" Axle, Composite Urethane - Alum. Clear Anodized Handrim	1133332 See Note(s) D
U2244BK	Assembly, Wheel 24", 7/16" Axle, Composite Urethane - Alum. Black Anodized Handrim	1133333 See Note(s) D
U2244BK	Assembly, Wheel 24", 7/16" Axle, Composite Urethane - Composite Handrim	1133334 See Note(s) C
U2244BK	Assembly, Wheel 24", 7/16" Axle, Composite Urethane - Plastic Coated Handrim	1133335 See Note(s) C
4244BK	Assembly, Wheel 24", 7/16" Axle, Composite Pneumatic with Flat Free Insert - Alum. Black Anodized Handrim	1133328 See Note(s) D
4244BK	Assembly, Wheel 24", 7/16" Axle, Composite Pneumatic with Flat Free Insert- Composite Handrim	1133329

Rear Wheel and Handrim Assemblies

Assemblies include (1) ea. per side: Wheel, Handrim and Attaching Hardware. 5/8" axle rear wheels are used for 9RC models only.

As of 8/11/15 Chrome Handrims were replaced by Alum. Clear Anodized and Alum. Black 34P was replaced by Alum. Black Anodized Handrims ON-CHAIR.

Rear Wheel and Handrim Assemblies - 24" Wheel with 7/16" Axle

9000SL/ XT/ XDT

Wheel Type Model Number	Description	Part Number
4244BK	Assembly, Wheel 24", 7/16" Axle, Composite Pneumatic with Flat Free Insert- Alum. Clear Anodized Handrim	1133330 See Note(s) D
4244BK	Assembly, Wheel 24", 7/16" Axle, Composite Pneumatic with Flat Free Insert- Plastic Coated Handrim	1133331
5244BK	Assembly, Wheel 24", 7/16" Axle, Composite with Heavy Duty Flat Free Insert - Composite Handrim	1133348
5244BK	Assembly, Wheel 24", 7/16" Axle, Composite with Heavy Duty Flat Free Insert - Alum. Clear Anodized Handrim	1133349 See Note(s) D
5244BK	Assembly, Wheel 24", 7/16" Axle, Composite with Heavy Duty Flat Free Insert - Alum. Black Anodized Handrim	1133350 See Note(s) D
5244BK	Assembly, Wheel 24", 7/16" Axle, Composite with Heavy Duty Flat Free Insert - Plastic Coated Handrim	1133351
<p>NOTE: A - As of 11/16/09 the Bill of Material was changed to replace the Non-Corded Tire with a Corded Tire. For chairs manufactured before 11/16/09, it is recommended to order (2) each in quantity to match B - 24 x 1" Corded Low Profile Urethane Tire. C - 24" Urethane Tire. D - Chrome Handrims have been replaced with Alum. Clear Anodized Handrims. Alum. 34P Black Handrims have been replaced with Alum. Black Anodized Handrims. It is recommended to order in pairs to match.</p>		

Non-Projection Handrims and Attaching Hardware

As of 8/11/15 Chrome Handrims were replaced by Alum. Clear Anodized and Alum. Black 34P was replaced by Alum. Black Anodized Handrims.

Composite (COM)

Wheel Style	Wheel Type	Handrim Only	Attaching Points	Attaching Hardware Kit
U2244BK	24" Composite Urethane Treaded Tire	1064036	7	1065790 See Note(s) A
2244BK	24" Composite Pneumatic Tire	1064036	7	1065790 See Note(s) A
4244BK	24" Composite Pneumatic w/Flat Free Insert	1064036	7	1065790 See Note(s) A
5244BK	24" Heavy Duty Composite Pneumatic w/Flat Free Insert	1064036	7	1065790 See Note(s) A
U2222	24" Composite Urethane Tire	1063919	9	1065791 See Note(s) A

NOTE: A - Hardware kit contains hardware for (1) handrim. See category titled, "Non-Projection Handrims Attaching Hardware" for more details.

Chrome Plated (CHDRM)

Wheel Style	Wheel Type	Handrim Only	Attaching Points	Attaching Hardware Kit
1763BK	20" Composite Pneumatic Tire	1019999	7	1025153 See Note(s) A
U1763BK	20" Composite Urethane Tire	1019999	7	1025153 See Note(s) A
4763BK	20" Composite Pneumatic w/Flat Free Insert	1019999	7	1025153 See Note(s) A
1764BK	22" Composite Pneumatic Tire	1020000	7	1025153 See Note(s) A
U1764BK	22" Composite Urethane Tire	1020000	7	1025153 See Note(s) A
4764BK	22" Composite Pneumatic w/Flat Free Insert	1020000	7	1025153 See Note(s) A
U2222C	24" Composite Urethane Tire	1055272-NLA	6	1042074 See Note(s) A
2244BK	24" Composite Pneumatic Tire	1054966	7	1025153 See Note(s) A
U2244BK	24" Composite Urethane w/Treaded Tire	1054966	7	1025153 See Note(s) A

Non-Projection Handrims and Attaching Hardware

As of 8/11/15 Chrome Handrims were replaced by Alum. Clear Anodized and Alum. Black 34P was replaced by Alum. Black Anodized Handrims.

Chrome Plated (CHDRM)

Wheel Style	Wheel Type	Handrim Only	Attaching Points	Attaching Hardware Kit
4244BK	24" Composite Pneumatic w/Flat Free Insert	1054966	7	1025153 See Note(s) A
5244BK	24" Heavy-Duty Composite Pneumatic w/ Flat Free Insert	1054966	7	1025153 See Note(s) A

NOTE: A - Hardware kit contains hardware for (1) handrim. See category titled, "Non-Projection Handrims Attaching Hardware" for more details.

NOTE: For 9000SL chairs built between 6/1/01 and 6/20/02, please call an Invacare Parts Specialist at 1-800-333-6900 extension 3722 with the serial number of the chair in order to receive the correct handrim.

NOTE: As of 8/11/15 Chrome Handrims were replaced by Alum. Clear Anodized and Alum. Black 34P was replaced by Alum. Black Anodized Handrims.

Non-Projection Handrims and Attaching Hardware

As of 8/11/15 Chrome Handrims were replaced by Alum. Clear Anodized and Alum. Black 34P was replaced by Alum. Black Anodized Handrims.

Aluminum - Clear Anodized

Wheel Style	Handrim Only	Attaching Points	Attaching Hardware Kit
U2222C Corded Urethane 24 x 1" (9 Spoke)	1183681	6	1042074 See Note(s) A
2244BK 24" Composite Pneumatic Tire	1183680	7	1025153 See Note(s) A
4244BK 24" Composite Pneumatic w/Flat Free Insert	1183680	7	1025153 See Note(s) A
U2244BK 24" Composite Urethane Treaded Tire	1183680	7	1025153 See Note(s) A
5244BK 24" Heavy Duty Composite w/Flat Free Insert	1183680	7	1025153 See Note(s) A
4763BK 20" Composite Pnuematic w/Flat Free Insert	1183683	7	1025153 See Note(s) A
1763BK 20" Composite Pneumatic Tire	1183683	7	1025153 See Note(s) A
U1763BK 20" Composite Urethane w/Flat Free Insert	1183683	7	1025153 See Note(s) A
1764BK 22" Composite Pneumatic Tire	1183682	7	1025153 See Note(s) A
4764BK 22" Composite Pneumatic w/Flat Free Insert	1183682	7	1025153 See Note(s) A
U1764BK 22" Composite Urethane Tire	1183682	7	1025153 See Note(s) A

NOTE: A - Hardware kit contains enough hardware for (1) handrim. See category titled, "Non-Projection Handrims Attaching Hardware" for more details.

Non-Projection Handrims and Attaching Hardware

As of 8/11/15 Chrome Handrims were replaced by Alum. Clear Anodized and Alum. Black 34P was replaced by Alum. Black Anodized Handrims.

Aluminum - Flat Black 34P

Wheel Type	Handrim Only	Attaching Points	Attaching Hardware Kit
U2222 24" Composite Urethane Tire	1120063-NLA See Note(s) B	6	1042074
2244BK 24" Composite Pneumatic Tire	1015406	7	1025153
4244BK 24" Composite Pneumatic w/Flat Free Insert	1015406	7	1025153
U2244BK 24" Composite Urethane Treaded Tire	1015406	7	1025153
5244BK 24" Heavy Duty Composite w/Flat Free Insert	1015406	7	1025153
4763BK 20" Composite Pnuematic w/Flat Free Insert	1020017	7	1025153
1763BK 20" Composite Pneumatic Tire	1020017	7	1025153
U1763BK 20" Composite Pneumatic w/Flat Free Insert	1020017	7	1025153
1764BK 22" Composite Pneumatic Tire	1020018	7	1025153
4764BK 22" Composite Pneumatic w/Flat Free Insert	1020018	7	1025153
U1764BK 22" Composite Urethane Tire	1020018	7	1025153

NOTE: B - NLA. See Black Anodized Handrim Chart and order part #1186220.

NOTE: When replacing handrims for chairs built before 12/17/99 order in pairs. Handrim color has changed from Pewter to Flat Black.

NOTE: As of 8/11/15 Chrome Handrims were replaced by Alum. Clear Anodized and Alum. Black 34P was replaced by Alum. Black Anodized Handrims.

Non-Projection Handrims and Attaching Hardware

As of 8/11/15 Chrome Handrims were replaced by Alum. Clear Anodized and Alum. Black 34P was replaced by Alum. Black Anodized Handrims.

Aluminum - Black Anodized

Wheel Style	Handrim Only	Attaching Points	Attaching Hardware Kit
U2222 24" Composite Urethane Tire	1186220	6	1042074 See Note(s) A
U2222CT 24" Composite Urethane Treaded Tire	1186220	6	1042074 See Note(s) A
2244BK 24" Composite Pneumatic Tire	1186219	7	1025153 See Note(s) A
4244BK 24" Composite Pneumatic w/Flat Free Insert	1186219	7	1025153 See Note(s) A
U2244BK 24" Composite Urethane Treaded Tire	1186219	7	1025153 See Note(s) A
5244BK 24" Heavy Duty Composite w/Flat Free Insert	1186219	7	1025153 See Note(s) A
4763BK 20" Composite Pnuematic w/Flat Free Insert	1186217	7	1025153 See Note(s) A
1763BK 20" Composite Pneumatic Tire	1186217	7	1025153 See Note(s) A
U1763BK 20" Composite Urethane w/Flat Free Insert	1186217	7	1025153 See Note(s) A
1764BK 22" Composite Pneumatic Tire	1186218	7	1025153 See Note(s) A
4764BK 22" Composite Pneumatic w/Flat Free Insert	1186218	7	1025153 See Note(s) A
U1764BK 22" Composite Urethane Tire	1186218	7	1025153 See Note(s) A

NOTE: A - Hardware kit contains enough hardware for (1) handrim. See category titled, "Non-Projection Handrims Attaching Hardware" for more details.

Non-Projection Handrims and Attaching Hardware

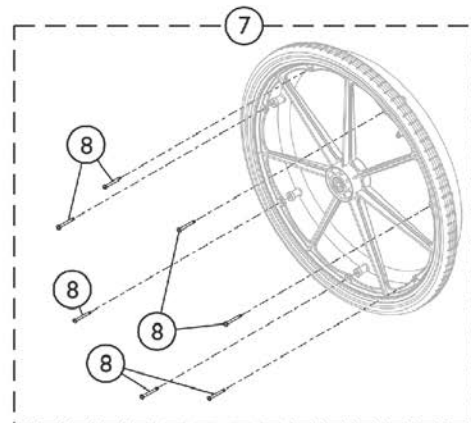
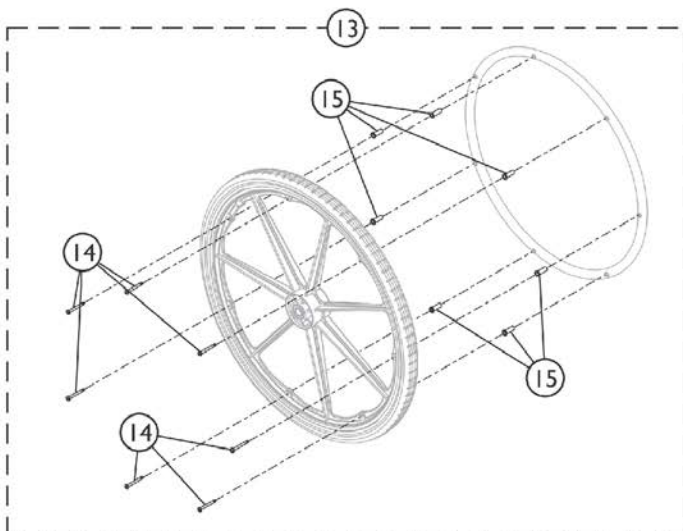
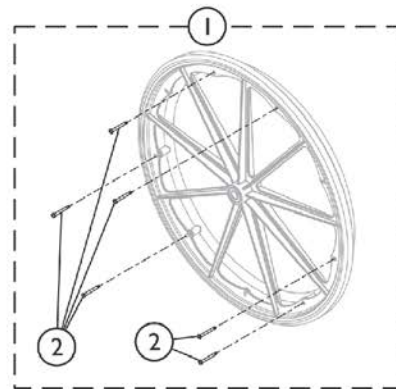
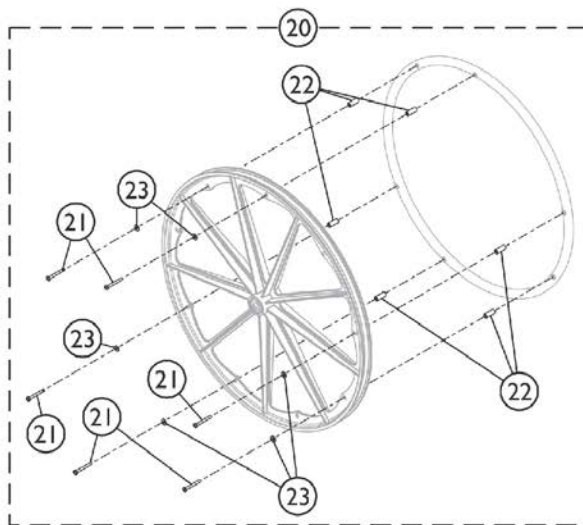
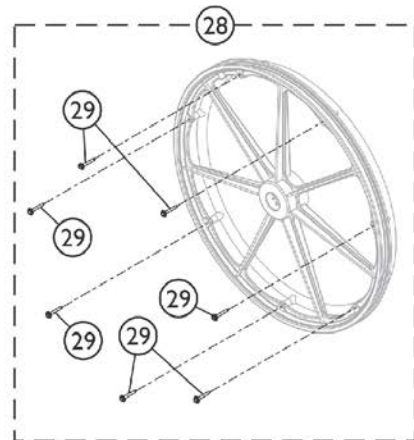
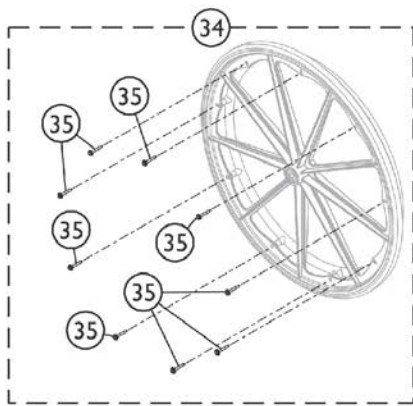
As of 8/11/15 Chrome Handrims were replaced by Alum. Clear Anodized and Alum. Black 34P was replaced by Alum. Black Anodized Handrims.

Black Plastic Coated

Wheel Type	Handrim Only	Attaching Points	Attaching Hardware Kit
U2222 24" Composite Urethane Tire	1115462	6	1025150 See Note(s) A
2244BK 24" Composite Pneumatic Tire	1115397	7	1025158 See Note(s) A
U2244BK 24" Composite Urethane Treaded Tire	1115397	7	1025158 See Note(s) A
4244BK 24" Composite Pneumatic w/Flat Free Insert	1115397	7	1025158 See Note(s) A
5244BK 24" Heavy Duty Composite Pneumatic w/Flat Free Insert	1115397	7	1025158 See Note(s) A
1763BK 20" Composite Pneumatic Tire	1115400	7	1025158 See Note(s) A
U1763BK 20" Composite Urethane Tires	1115400	7	1025158 See Note(s) A
4763BK 20" Composite Pneumatic w/Flat Free Insert	1115400	7	1025158 See Note(s) A
1764BK 22" Composite Pneumatic Tire	1115401	7	1025158 See Note(s) A
U1764BK 22" Composite Urethane Tire	1115401	7	1025158 See Note(s) A
4764BK 22" Composite Pneumatic w/Flat Free Insert	1115401	7	1025158 See Note(s) A

NOTE: A - Hardware kit contains hardware for (1) handrim. See category titled, "Non-Projection Handrims Attaching Hardware" for more details.

Non-Projection Handrim Attaching Hardware



SSM_031A

Non-Projection Handrim Attaching Hardware

Item Number	Note	Part Number	Description	Quantity Per	
				Package	Assembly
1	A	1025150	Hardware, Handrim Attaching - 6 PT	1	1
2		1007375	Screw, Phillips Pan Head w/ Patch (#10-32 x 1-3/4")	1	6
7	B	1025158	Hardware, Handrim Attaching - 7 PT.	1	1
8		1007375	Screw, Phillips Pan Head w/ Patch (#10-32 x 1-3/4")	1	7
13	C	1025153	Hardware, Handrim Attaching - 7 PT	1	1
14		1007375	Screw, Phillips Pan Head w/ Patch (#10-32 x 1-3/4")	1	7
15		1016438	Spacer (1/4 x 11/32 x 15/16")	1	7
20	D	1042074	Hardware, Handrim Attaching - 6 PT.	1	1
21		1007375	Screw, Phillips Pan Head w/ Patch (#10-32 x 1-3/4")	1	6
22		1012649	Spacer (3/16 x 3/8 x 15/16")	1	6
23		1013218	Washer (#10 Flat)	1	6
28	E	1065790	Hardware, Handrim Attaching - 7 PT.	1	1
29		1098755	Screw, Hex Head SEMS (#8-10 x 1-1/2")	1	7
34	F	1065791	Hardware, Handrim Attaching - 9 PT.	1	1
35		1098755	Screw, Hex Head SEMS (#8-10 x 1-1/2")	1	9
NOTE: A - Includes item 2. B - Includes item 8. C - Includes items 14 and 15. D - Includes items 21-23. E - Includes item 29. F - Includes item 35.					

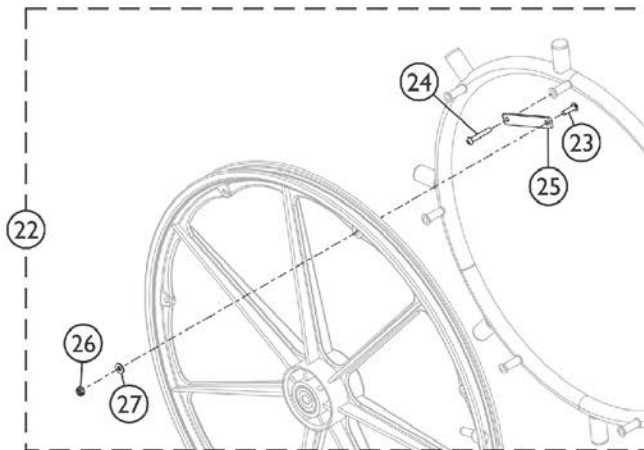
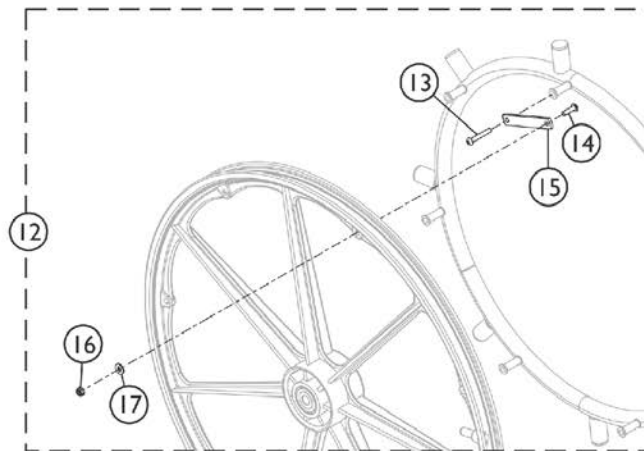
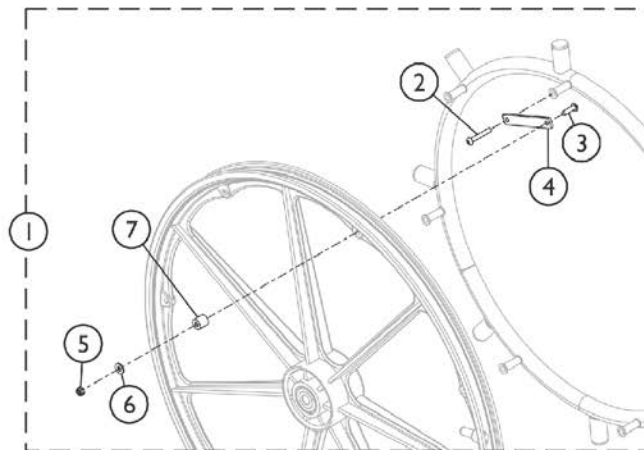
Projection Handrims and Attaching Hardware

Black Plastic Coated

Wheel Style	Wheel Type	Handrim Type	Handrim Only	Attaching Points	Attaching Hardware Kit
2244BK	24" Composite Pneumatic Tire	8 Oblique	1115396	7	1062765 See Note(s) A
4244BK	24" Composite Pneumatic w/Flat Free Insert	8 Oblique	1115396	7	1062765 See Note(s) A
5244BK	24" Heavy Duty Composite Pneumatic w/Flat Free Insert	8 Oblique	1115396	7	1062765 See Note(s) A
U2244BK	24" Composite Urethane Treaded Tire	8 Oblique	1115396	7	1062765 See Note(s) A
U2222	24" Composite Urethane Tire	8 Oblique	1115398	6	1062763 See Note(s) A
2244BK	24" Composite Pneumatic Tire	8 Vertical	1115394	7	1062764 See Note(s) A
4244BK	24" Composite Pneumatic w/Flat Free Insert	8 Vertical	1115394	7	1062764 See Note(s) A
5244BK	24" Heavy Duty Composite Pneumatic w/Flat Free Insert	8 Vertical	1115394	7	1062764 See Note(s) A
U2244BK	24" Composite Urethane Treaded Tire	8 Vertical	1115394	7	1062764 See Note(s) A
U2222	24" Composite Urethane Tire	8 Vertical	1115399	6	1062763 See Note(s) A
5244BK	24" Heavy-Duty Composite Pneumatic w/Flat Free Insert	12 Vertical	1115395	7	1062764 See Note(s) A
U2244BK	24" Composite Urethane Treaded Tire	12 Vertical	1115395	7	1062764 See Note(s) A
2244BK	24" Composite Pneumatic Tire	12 Vertical	1115395	7	1062764 See Note(s) A
4244BK	24" Composite Pneumatic w/Flat Free Insert	12 Vertical	1115395	7	1062764 See Note(s) A

NOTE: A - Hardware kit contains enough hardware for (1) handrim. See category titled, "Projection Handrims Attaching Hardware" for more details.

Projection Handrims - Attaching Hardware



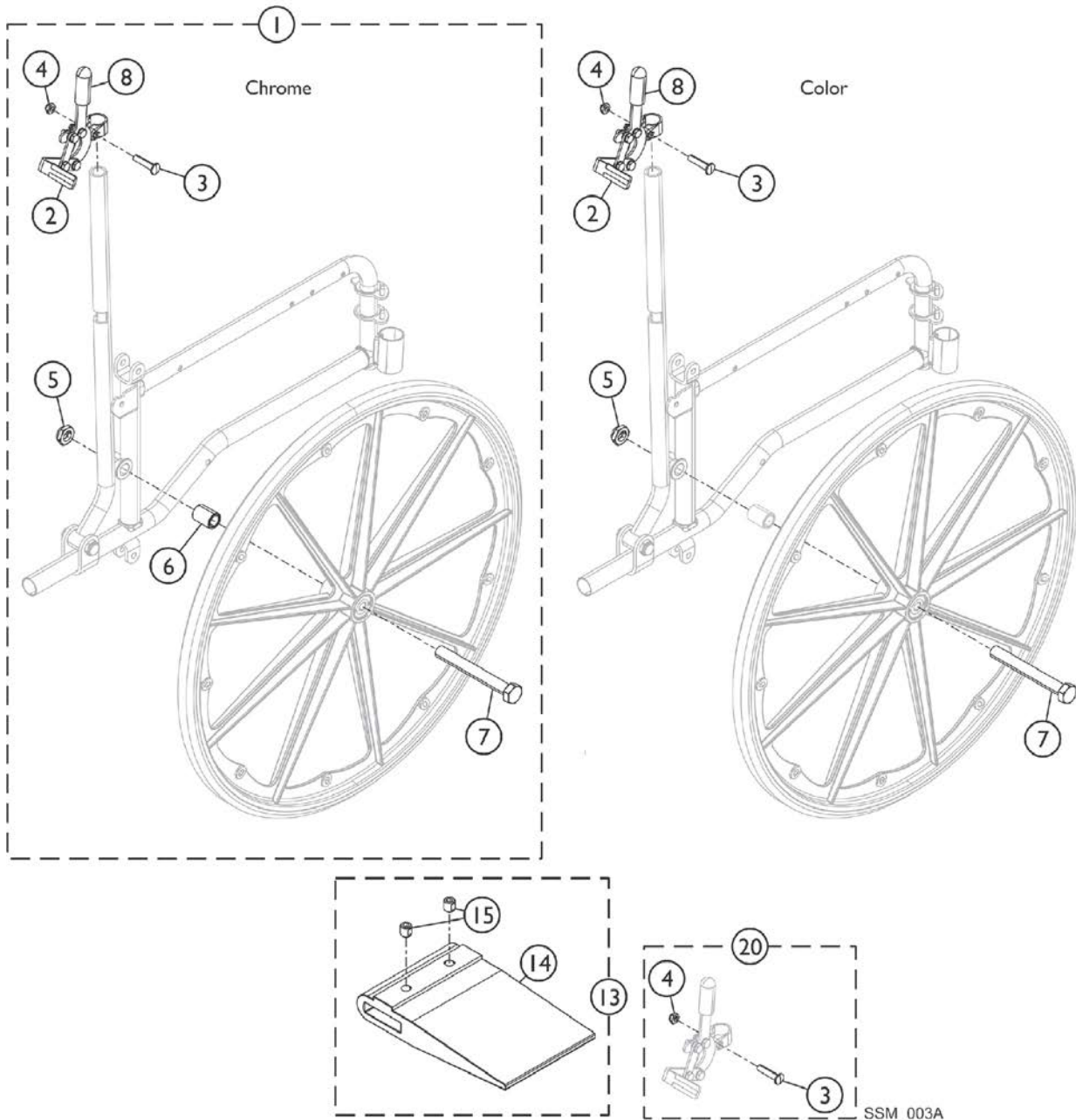
SSM_032A

Projection Handrims - Attaching Hardware

Item Number	Note	Part Number	Description	Quantity Per	
				Package	Assembly
1	A	1062763	Hardware, Projection Handrim Attaching - 6 PT	1	1
2		11008X011	Screw, Phillips Round Head (#10-32 x 1-3/8")	1	6
3		16718X000-NLA	NLA - Screw, Phillips Pan Head (#10-32 x 7/8")	1	6
4		47559X008	Link, Attaching, Chrome	1	6
5		60279X003	Locknut (#10-32)	1	6
6		1013218	Washer (#10 Flat)	1	6
7		1017870-NLA	NLA - Spacer (3/16 x 1/2 x 3/16")	1	6
12	B	1062765	Hardware, Oblique Projection Handrim Attaching - 7 PT	1	1
13		11008X003-NLA	NLA - Screw, Phillip Pan Head (#10-32 x 1-1/4")	1	7
14		40163X008	Screw, Phillips Pan Head (#10-32 x 11/16")	1	7
15		47559X008	Link, Attaching, Chrome	1	7
16		60279X003	Locknut (#10-32)	1	7
17		1013218	Washer (#10 Flat)	1	7
22		C	1062764	Hardware, Vertical Projection Handrim Attaching - 7 PT	1
23	40163X008		Screw, Phillips Pan Head (#10-32 x 11/16")	1	7
24	1007375		Screw, Phillips Pan Head w/ Patch (#10-32 x 1-3/4")	1	7
25	47559X008		Link, Attaching, Chrome	1	7
26	60279X003		Locknut (#10-32)	1	7
27	1013218		Washer (#10 Flat)	1	7
NOTE: A - Includes items 2-7. B - Includes items 13-17. C - Includes items 23-27.					

Attendant Operated Wheel Locks

STD, Convention Arm, 9RC



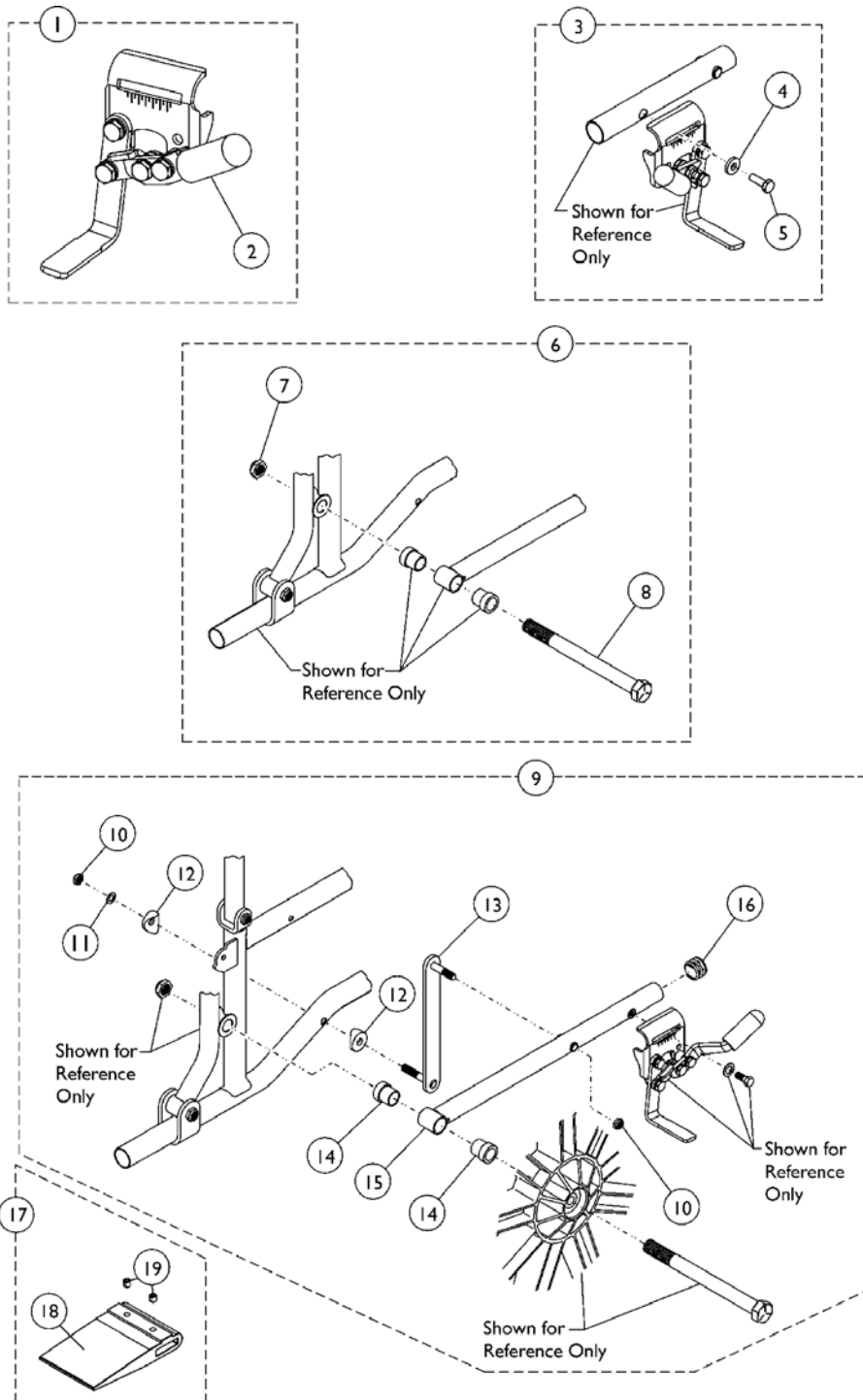
Attendant Operated Wheel Locks STD, Convention Arm, 9RC

Item Number	Note	Part Number	Description	Quantity Per	
				Package	Assembly
1	A,C	1078349	Kit, Wheel Lock Assembly, Black - Right	1	1
2			Wheel Lock Assembly w/o Hardware, Black- Left	1	1
3			Bolt, Lug (5/16-24 x 1-3/8")	1	1
4			Locknut (5/16-24)	1	1
5			Locknut (5/8-18)	1	1
6			NLA - Spacer	1	1
7			NLA - Screw, Hex Head (5/8-18 x 5")	1	1
8			Tip, Rubber Wheel Lock Handle, Black	1	1
			Instruction Sheet, Attendant Operated Wheel Lock	1	1
1	A,C	1078348	Kit, Wheel Lock Assembly, Black - Left	1	1
2			Wheel Lock Assembly w/o Hardware, Black- Right	1	1
3			Bolt, Lug (5/16-24 x 1-3/8")	1	1
4			Locknut (5/16-24)	1	1
5			Locknut (5/8-18)	1	1
6			NLA - Spacer	1	1
7			NLA - Screw, Hex Head (5/8-18 x 5")	1	1
8			Tip, Rubber Wheel Lock Handle, Black	1	1
			Instruction Sheet, Attendant Operated Wheel Lock	1	1
13	B	1037421	Kit, Wheel Lock Shoe Spacer, 20" Rear Wheels (Pair)	1	1
14			Spacer, Wheel Lock Shoe (2-63/64")	1	2
15			Screw, Set Socket Cup Point (#8-32 x 3/16")	1	4
13	B	1037422	Kit, Wheel Lock Shoe Spacer, 22" Rear Wheels (Pair)	1	1
14			Spacer, Wheel Lock Shoe (1-45/64")	1	2
15			Screw, Set Socket Cup Point (#8-32 x 3/16")	1	4
20	D	1030987	Hardware, Wheel Lock Attaching	1	1
3			Bolt, Lug (5/16-24 x 1-3/8")	1	2
4			Locknut (5/16-24)	1	2
2	E	1181875	Wheel Lock Assembly w/o Hardware, Black- Right	1	1
2	E	1181876	Wheel Lock Assembly w/o Hardware, Black- Left	1	1
3		11232X009	Bolt, Lug (5/16-24 x 1-3/8")	1	1
4		60264X001	Locknut (5/16-24)	1	1
5		60030X000	Locknut (5/8-18)	1	1
7		1028554-NLA	NLA - Screw, Hex Head (5/8-18 x 5")	1	1
8		47376X024	Tip, Rubber Wheel Lock Handle, Black	1	1

NOTE: A - Includes items 2 - 8 and Instruction Sheet.
B - Includes items 14 and 15.
C - Instruction sheet not shown in illustration.
D - Includes items 3 and 4.
E - Requires installation instructions part number 1078344, visit www.invacare.com for more details.

Patient Operated Style Wheel Locks

9696R/1245, Conventional Arm, 9RC



Patient Operated Style Wheel Locks 9696R/1245, Conventional Arm, 9RC

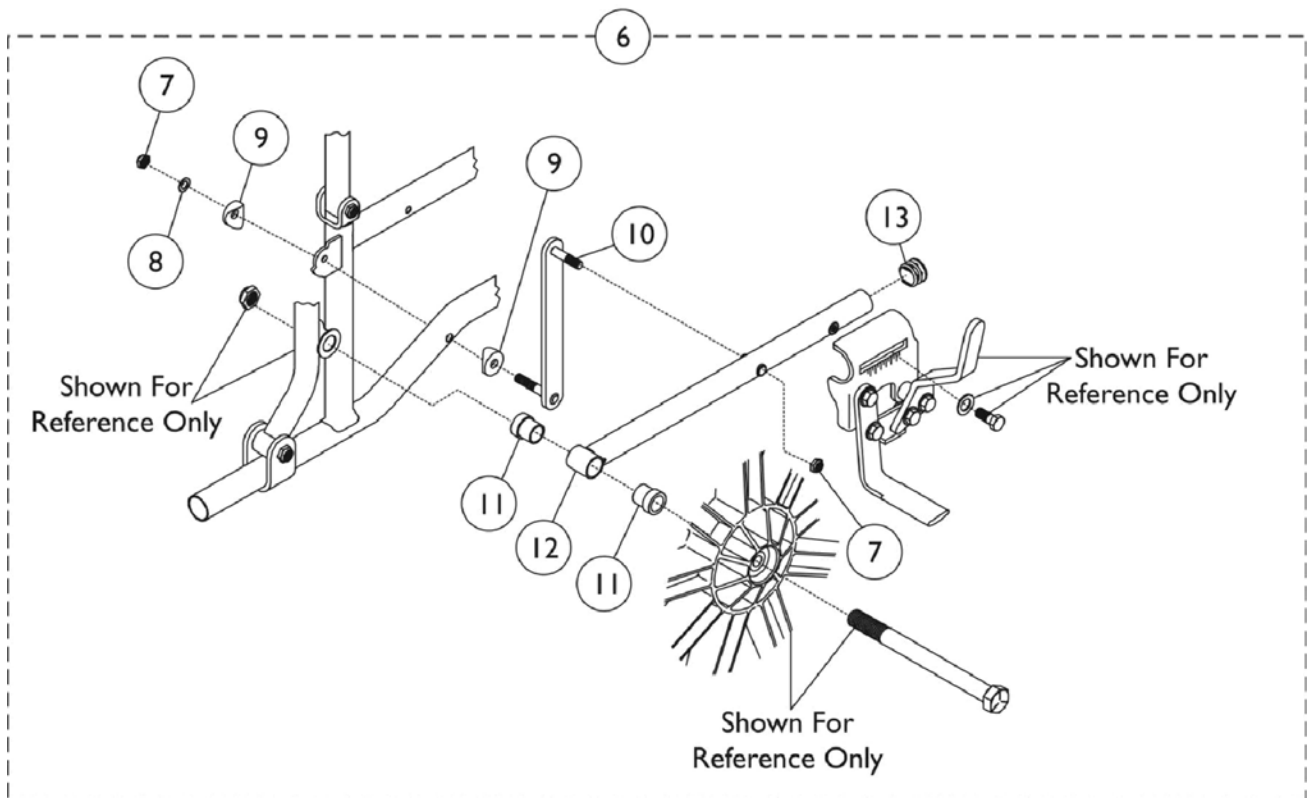
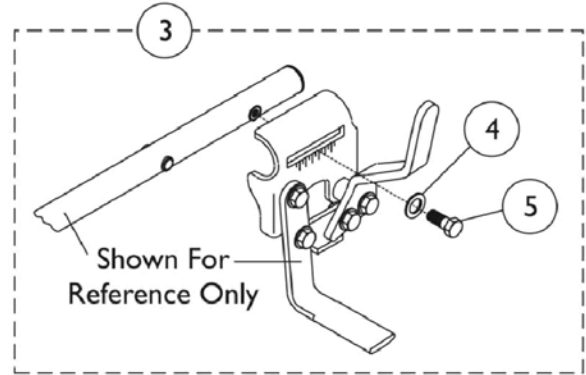
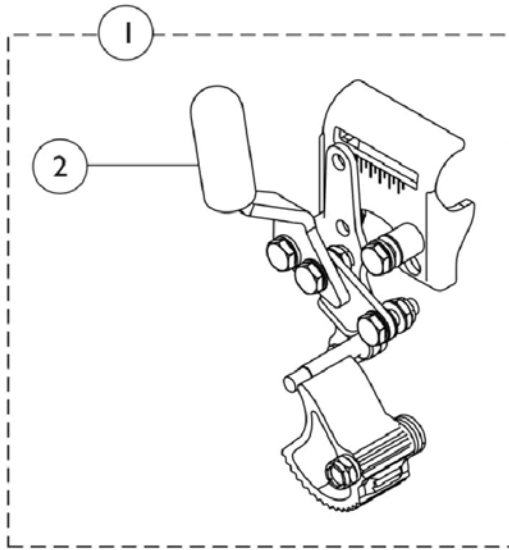
Item Number	Note	Part Number	Description	Quantity Per	
				Package	Assembly
1		1023493	Wheel Lock Assembly, Push to Lock - Right	1	1
1		1023494	Wheel Lock Assembly, Push / Lock - Left	1	1
1		1023484	Wheel Lock Assembly, Pull / Lock - Right	1	1
1		1023485	Wheel Lock Assembly, Pull / Lock - Left	1	1
2		47376X024	Tip, Rubber Wheel Lock Handle, Black	1	1
3	A,F	1035964	Kit, Hardware, Wheel Lock (Pair)	1	1
4			Washer (1/4 x 5/8 x 3/32")	1	2
5			NLA - Screw, Hex Head (1/4-20 x 3/4")	1	2
6	B	1035978	Kit, Hardware, Rear (Pair)	1	1
7			Locknut (5/8-18)	1	2
8			Screw, Hex Head (5/8-18 x 5-1/2")	1	2
9	C,D	8881181877	Kit, Hardware, Wheel Lock	1	1
10			Locknut (5/16-24)	1	2
11			Washer, Steel (11/32 x 5/8 x 3/64")	1	1
12			Spacer, Coved (3/4 x 1 x 1/2")	1	2
13			Strap and Stud Assembly	1	1
14			Spacer (7/8")	1	2
15			Arm, Pivot, Color	1	1
16			Plug Button, Black (7/8")	1	1
	E	1052754-NLA	NLA - Instruction Sheet, Patient Operated Wheel Lock	1	1
17	G	1037421	Kit, Wheel Lock Shoe Spacer, 20" Rear Wheels (Pair)	1	1
18			Spacer, Wheel Lock Shoe (2-63/64")	1	2
19			Screw, Set Socket Cup Point (#8-32 x 3/16")	1	4
17	H	1037422	Kit, Wheel Lock Shoe Spacer, 22" Rear Wheels (Pair)	1	1
18			Spacer, Wheel Lock Shoe (1-45/64")	1	2
19			Screw, Set Socket Cup Point (#8-32 x 3/16")	1	4

NOTE: A - Includes items 4 and 5.
 B - Includes items 7 and 8.
 C - Included items 10-16.
 D - When ordering this part, #1035964 must also be ordered.
 E - Not Shown.
 F - When ordering this kit for a 9XT Recliner, also order 8881181877. Specify 71P Silver Vein. Chrome is No Longer Available.
 G - Includes items 18 and 19. Use with 20" Rear Wheels.
 H - Includes items 18 and 19. Use with 22" Rear Wheels.

NOTE: When changing from Attendant Operated Wheel Locks to Patient Operated Wheel Locks, Item #6 (#1035978) is required.

Hill Holder Wheel Locks

9697R, Conventional Arm, 9RC



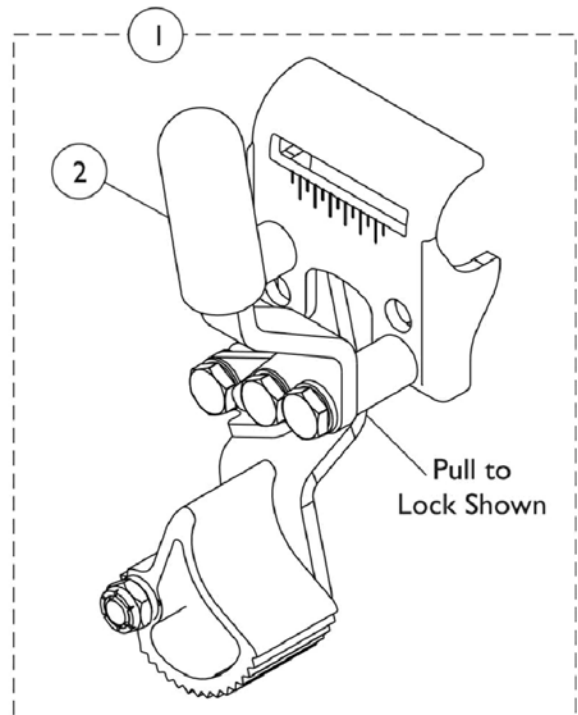
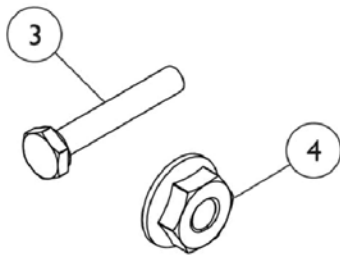
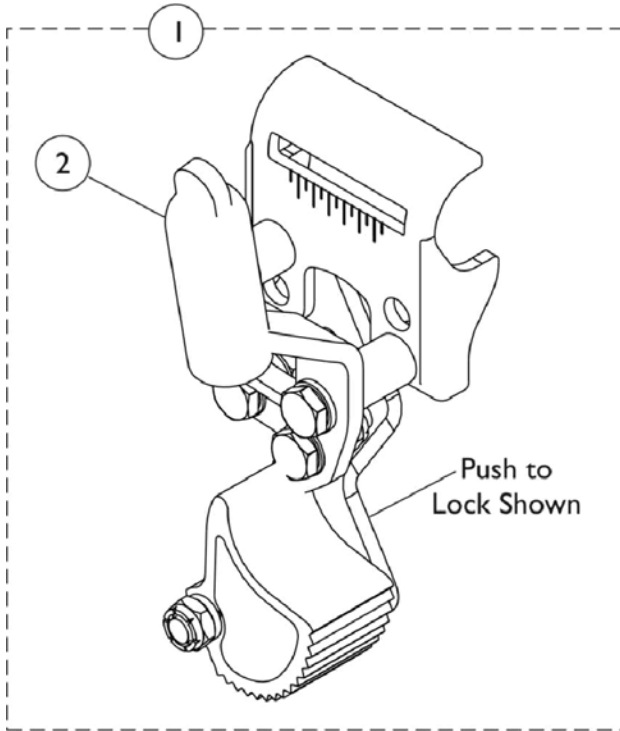
Hill Holder Wheel Locks 9697R, Conventional Arm, 9RC

Item Number	Note	Part Number	Description	Quantity Per	
				Package	Assembly
1		1023495-NLA	NLA - Wheel Lock Assembly, Hill Holder, Push to Lock - Right	1	1
1		1023496-NLA	NLA - Wheel Lock Assembly, Hill Holder, Push to Lock - Left	1	1
1		1023499-NLA	NLA - Wheel Lock Assembly, Hill Holder, Pull to Lock - Right	1	1
1		1023500-NLA	NLA - Wheel Lock Assembly, Hill Holder, Pull to Lock - Left	1	1
2		47376X024	Tip, Rubber Wheel Lock Handle, Black	1	1
3	A	1035964	Kit, Hardware, Wheel Lock (Pair)	1	1
4			Washer (1/4 x 5/8 x 3/32")	1	2
5			NLA - Screw, Hex Head (1/4-20 x 3/4")	1	2
6	B	8881181877	Kit, Hardware, Wheel Lock	1	1
7			Locknut (5/16-24)	1	2
8			Washer, Steel (11/32 x 5/8 x 3/64")	1	1
9			Spacer, Coved (3/4 x 1 x 1/2")	1	2
10			Strap and Stud Assembly	1	1
11			Spacer (7/8")	1	2
12			Arm, Pivot, Color	1	1
13			Plug Button, Black (7/8")	1	1

NOTE: A - Includes items 4 and 5.
B - Includes items 7-13. Specify Silver Vein (71P) when ordering. Chrome is No Longer Available.

Hill Holder Wheel Locks

9695, Conventional Arm, 9XT/9SL



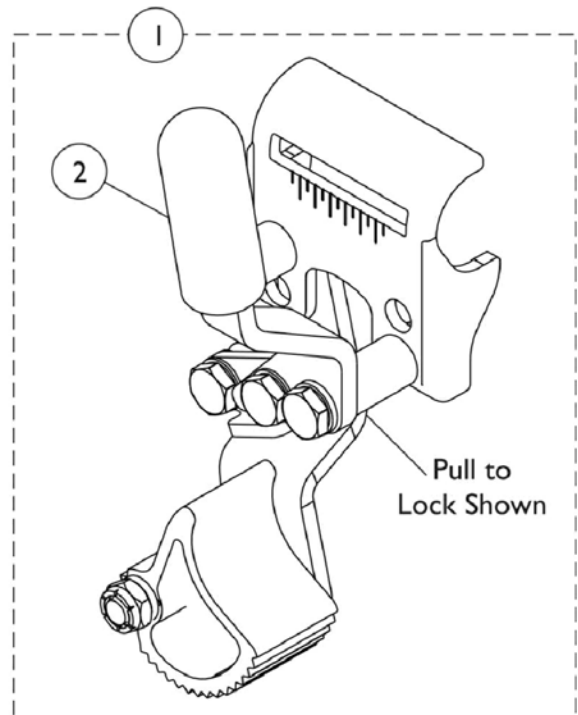
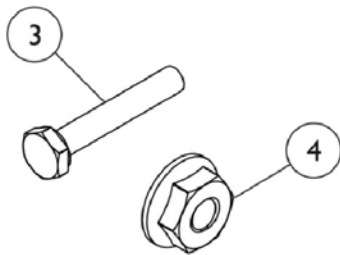
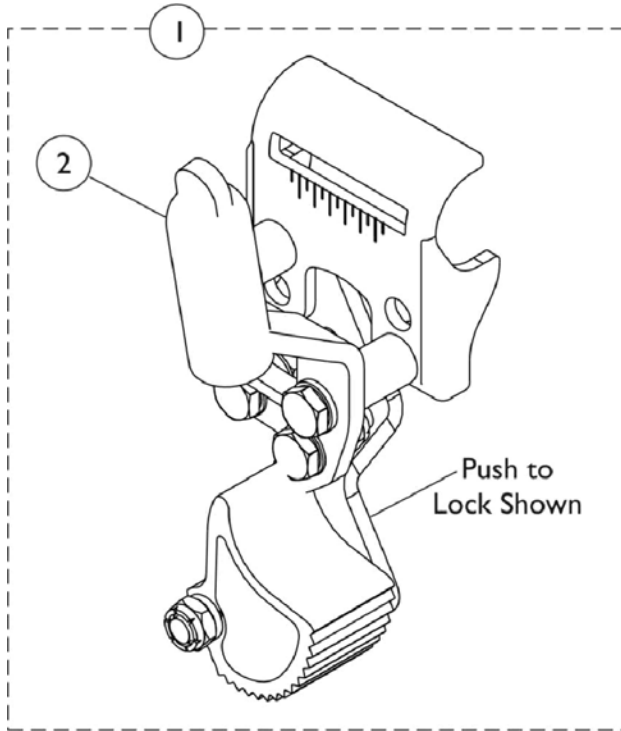
Hill Holder Wheel Locks

9695, Conventional Arm, 9XT/9SL

Item Number	Note	Part Number	Description	Quantity Per	
				Package	Assembly
1	A	1034210	Wheel Lock Assembly, Hill Holder, Push to Lock - Right	1	1
1	A	1034211	Wheel Lock Assembly, Hill Holder, Push to Lock - Left	1	1
1	B	1025429-NLA	NLA - Wheel Lock Assembly, Hill Holder, Pull to Lock - Right	1	1
1	B	1025430-NLA	NLA - Wheel Lock Assembly, Hill Holder, Pull to Lock - Left	1	1
2		47376X024	Tip, Rubber Wheel Lock Handle, Black	1	1
3		1021402	Bolt, Carriage (1/4-20 x 1-1/4")	1	1
4		1021403	Nut, Hex Flang (1/4-20)	1	1
NOTE: A - For use with Adult style chairs B - For use with Hemi style chairs.					
NOTE: Hill holders right and left can only be used on 22" and 24" Pneumatic Tires.					

Hill Holder Wheel Locks

9695, Space Saver Arm, 9XT/9SL



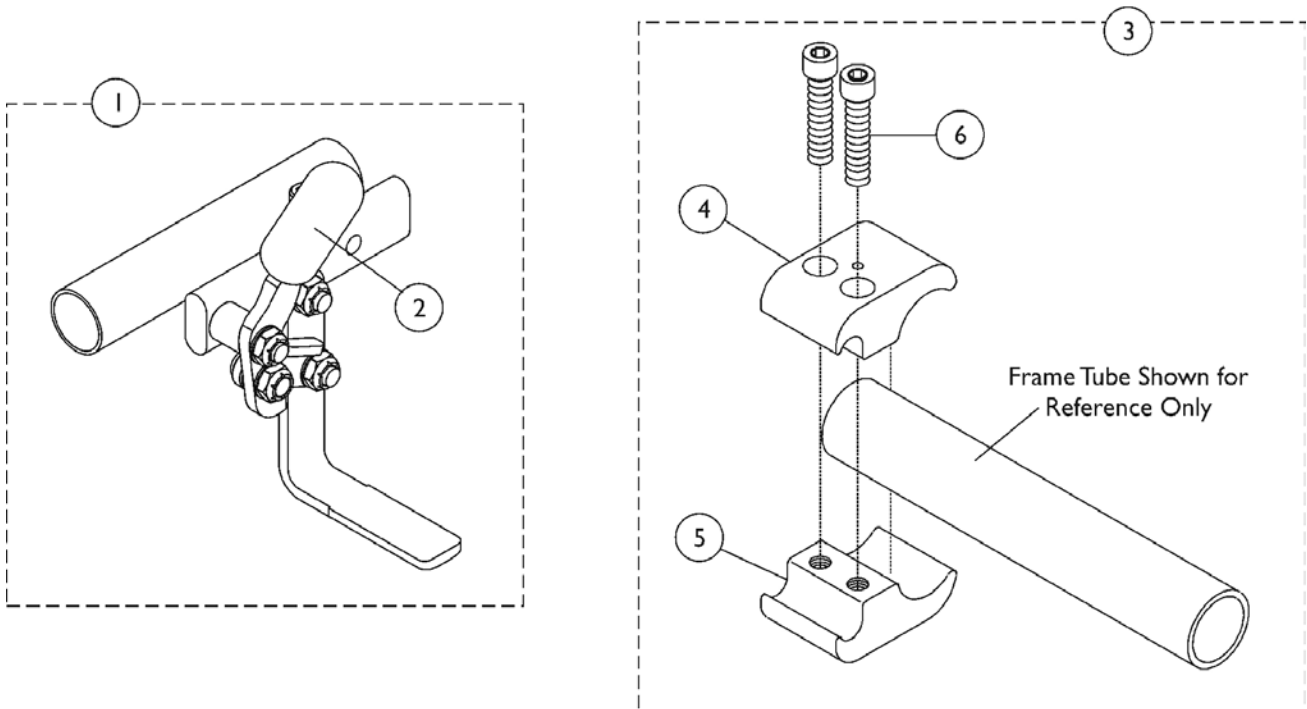
Hill Holder Wheel Locks

9695, Space Saver Arm, 9XT/9SL

Item Number	Note	Part Number	Description	Quantity Per	
				Package	Assembly
1	A	1034212	Wheel Lock Assembly, Hill Holder, Push to Lock - Right	1	1
1	A	1034213	Wheel Lock Assembly, Hill Holder, Push to Lock - Left	1	1
1	B	1034214	Wheel Lock Assembly, Hill Holder, Pull to Lock - Right	1	1
1	B	1034215	Wheel Lock Assembly, Hill Holder, Pull to Lock - Left	1	1
2		47376X024	Tip, Rubber Wheel Lock Handle, Black	1	1
3		1021402	Bolt, Carriage (1/4-20 x 1-1/4")	1	1
4		1021403	Nut, Hex Flang (1/4-20)	1	1
NOTE: A - To be used with Adult style chairs. B - To be used with Hemi style chairs.					

Clamp-On High Mount Wheel Locks

A1567/1721, Conventional Arm, 9XT (Introduced 8/1/02)



Clamp-On High Mount Wheel Locks

A1567/1721, Conventional Arm, 9XT (Introduced 8/1/02)

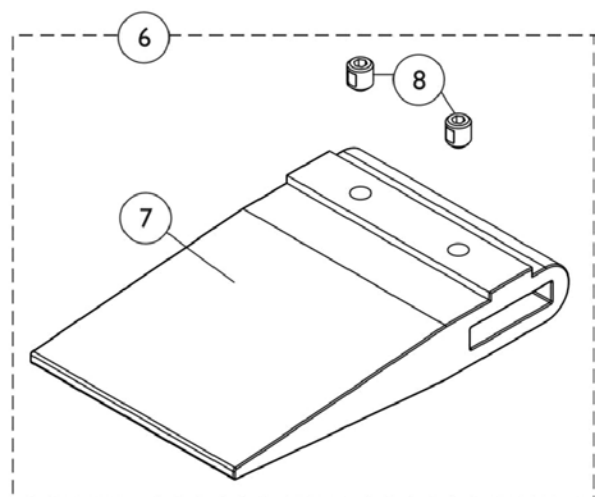
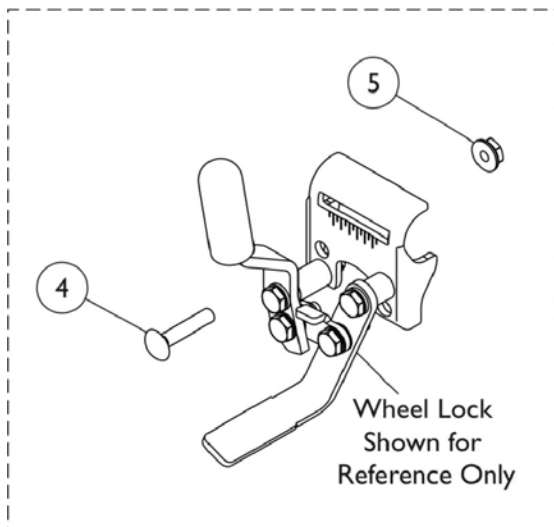
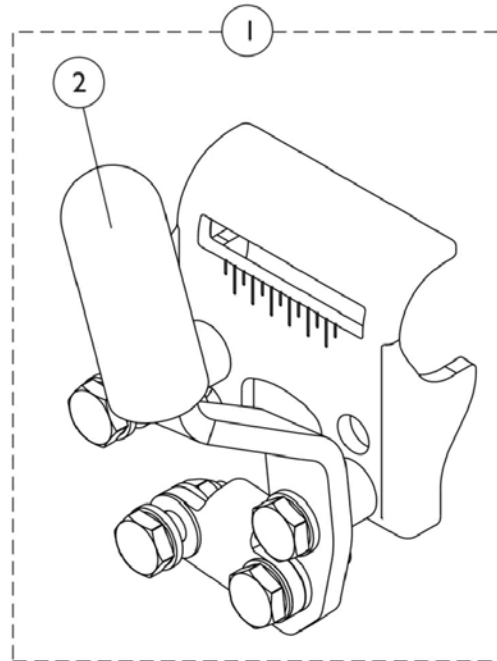
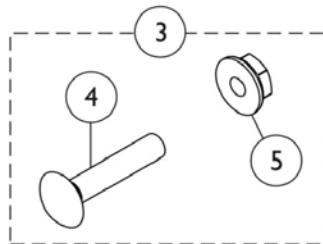
Item Number	Note	Part Number	Description	Quantity Per	
				Package	Assembly
1		1047703	Wheel Lock, High Mount, Push to Lock - Right	1	1
1		1047704	Wheel Lock, High Mount, Push to Lock - Left	1	1
1		1049539	Wheel Lock, Clamp On, Pull to Lock - Right	1	1
1		1049540	Wheel Lock, Clamp On, Pull to Lock - Left	1	1
2		47376X024	Tip, Rubber Wheel Lock Handle, Black	1	1
3	A	1039343	Kit, Clamp Wheel Lock Hardware (Pair)	1	1
4			NLA - Clamp, Wheel Lock, Non-Threaded (7/8")	1	2
5			Clamp, Wheel Lock, Threaded (7/8")	1	2
6			Screw, Allen Head (1/4-20 x 1")	1	4

NOTE: A - In order to assemble, the non-threaded clamp is above the seat rail or frame and the threaded is below the seat rail or frame.

NOTE: If 9XT Chair is ordered with Clamp-On Wheel Locks and Front Riggings, due to different release handle, Front Riggings should be ordered through specials.

Link-Pivot Style Wheel Locks

9691B/9690B, Conventional Arm 9XT/9XDT/9SL & Conventional Arm Super Low Model, 9XT (B4 8/14/03 Stock) (2/12/04-4/13/07 Bldr.) (After 4/13/07 Stock)



Link-Pivot Style Wheel Locks

9691B/9690B, Conventional Arm 9XT/9XDT/9SL & Conventional Arm Super Low Model, 9XT (B4 8/14/03 Stock) (2/12/04-4/13/07 Bldr.) (After 4/13/07 Stock)

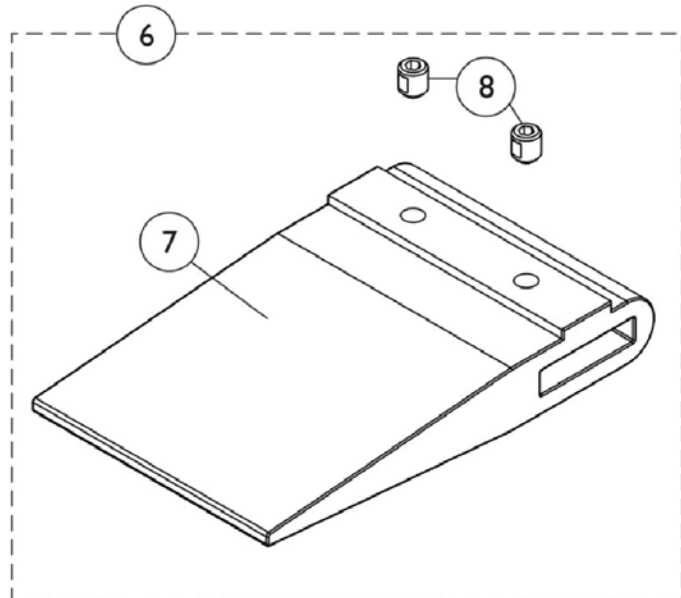
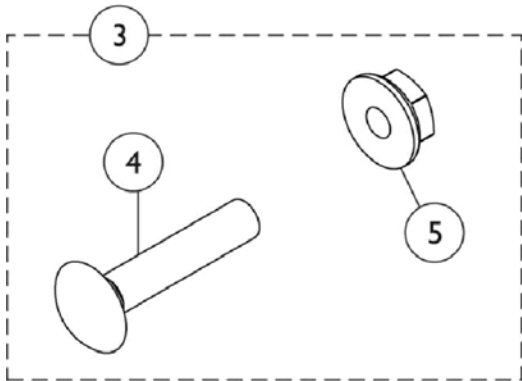
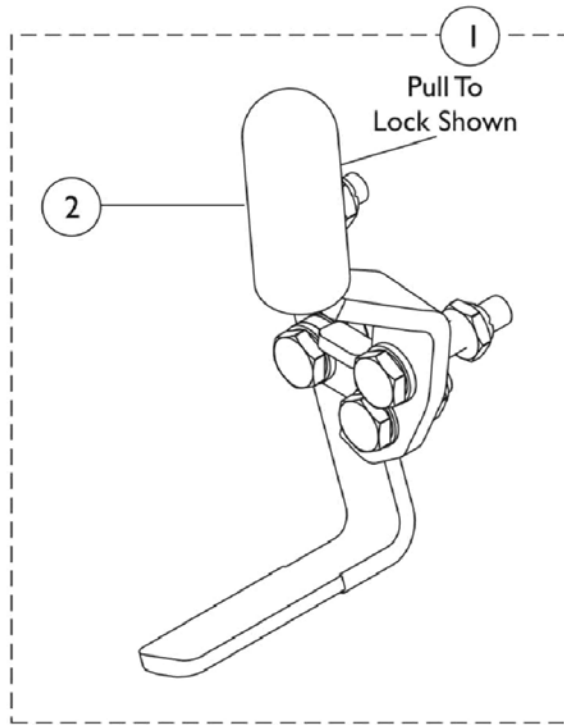
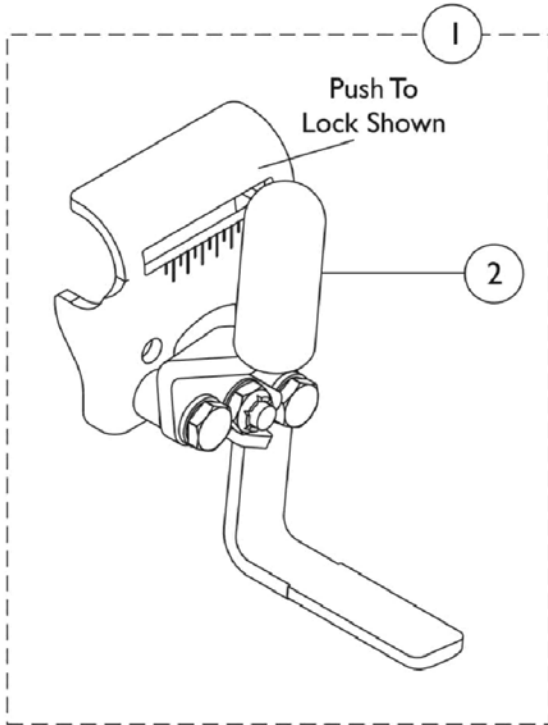
Item Number	Note	Part Number	Description	Quantity Per	
				Package	Assembly
1		1101452	Wheel Lock Assembly, Push to Lock, Black - Right	1	1
1		1101453	Wheel Lock Assembly, Push to Lock, Black - Left	1	1
1		1101454	Wheel Lock Assembly, Pull to Lock, Black - Right	1	1
1		1101455	Wheel Lock Assembly, Pull to Lock, Black - Left	1	1
1	A	1064764	Wheel Lock Assembly, Long, Black, Push to Lock - Right	1	1
1	A	1064765	Wheel Lock Assembly, Long, Black, Push to Lock - Left	1	1
1	A	1064760	Wheel Lock Assembly, Long, Black, Pull to Lock - Right	1	1
1	A	1064761	Wheel Lock Assembly, Long, Black, Pull to Lock - Left	1	1
2		47376X024	Tip, Rubber Wheel Lock Handle, Black	1	1
3	B	1017677	Kit, Hardware, Wheel Lock (Pair)	1	1
4			Bolt, Carriage (1/4-20 x 1-1/4")	1	2
5			Nut, Hex Flang (1/4-20)	1	2
6	C	7400110	Wheel Lock Shoe Spacer Kit, 20" Rear Wheels	1	1
7			Spacer, Wheel Lock Shoe (2-63/64")	1	2
8			Screw, Set Socket Cup Point (#8-32 x 3/16")	1	4
6	C	1037422	Kit, Wheel Lock Shoe Spacer, 22" Rear Wheels (Pair)	1	1
7			Spacer, Wheel Lock Shoe (1-45/64")	1	2
8			Screw, Set Socket Cup Point (#8-32 x 3/16")	1	4
6	C,D	7400109	Kit, Wheel Lock Shoe Spacer (Pair)	1	1
7			Spacer, Wheel Lock Shoe (2-7/16")	1	2
8			Screw, Set Socket Cup Point (#8-32 x 3/16")	1	4

NOTE: A - For use on Super Low chairs only.
 B - Includes items 4 and 5.
 C - Includes items 7 and 8.
 D - This item is not included in the Wheel Lock Assembly. This item may be required for chairs with 20" or 22" wheels, 9000XDT chairs with an Amputee Attachment, 19-20" seat depth or tall chairs with U2222 rear wheels.

Note: Stock pick and Bldr. pick dates refer to how the wheel lock option was offered at the time.

Link-Pivot Style Wheel Locks

9691B/9690B, Space Saver Arm, 9XT/9XDT/9SL & Space Saver Arm Super Low Model, 9XT (B4 8/14/03 Stock) (2/12/04-4/13/07 Bldr.) (After 4/13/07 Stock)



Link-Pivot Style Wheel Locks

9691B/9690B, Space Saver Arm, 9XT/9XDT/9SL & Space Saver Arm Super Low Model, 9XT (B4 8/14/03 Stock) (2/12/04-4/13/07 Bldr.) (After 4/13/07 Stock)

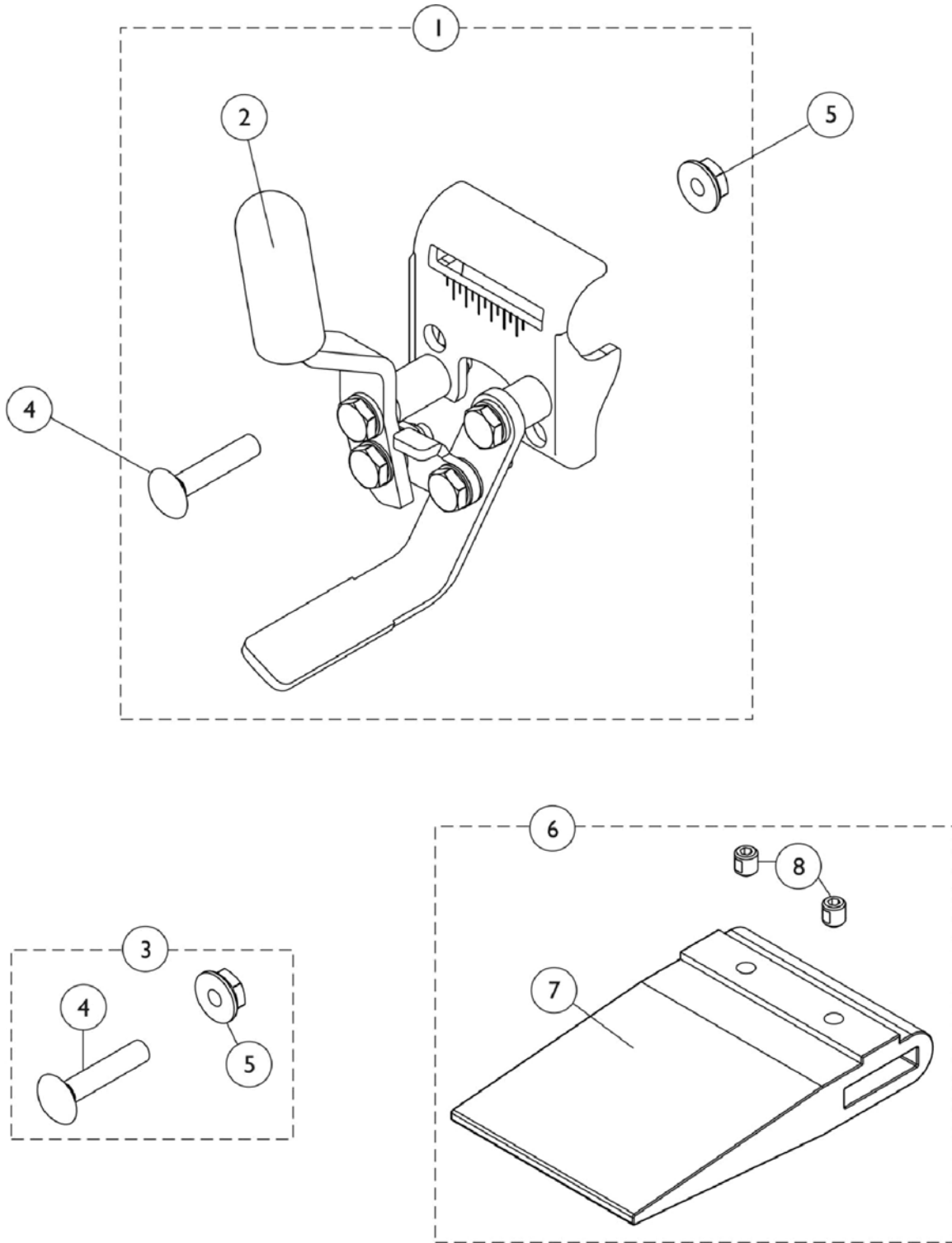
Item Number	Note	Part Number	Description	Quantity Per	
				Package	Assembly
1		1111924	Wheel Lock Assembly, Push to Lock, Black - Right	1	1
1		1111925	Wheel Lock Assembly, Push to Lock, Black - Left	1	1
1		1111926	Wheel Lock Assembly, Pull to Lock, Black - Right	1	1
1		1111927	Wheel Lock Assembly, Pull to Lock, Black - Left	1	1
1	D	1023484	Wheel Lock Assembly, Pull / Lock - Right	1	1
1	D	1023485	Wheel Lock Assembly, Pull / Lock - Left	1	1
1	D	1023493	Wheel Lock Assembly, Push to Lock - Right	1	1
1	D	1023494	Wheel Lock Assembly, Push / Lock - Left	1	1
2		47376X024	Tip, Rubber Wheel Lock Handle, Black	1	1
3	A	1017677	Kit, Hardware, Wheel Lock (Pair)	1	1
4			Bolt, Carriage (1/4-20 x 1-1/4")	1	2
5			Nut, Hex Flang (1/4-20)	1	2
6	C,B	1048656	Kit, Wheel Lock Shoe Spacer	1	1
7			Spacer, Wheel Lock Shoe (1-45/64")	1	1
8			Screw, Set Socket Cup Point (#8-32 x 3/16")	1	2

NOTE: A - Includes items 4 and 5.
 B - These items are not included with wheel lock, they may be needed if a chair has 20 or 22" rear wheels.
 C - Includes items 7 and 8.
 D - Space Saver Arm, Super Low Models, 9XT

Note: Stock pick and Bldr. pick dates refer to how the wheel lock option was offered at the time.

Link-Pivot Style Wheel Locks

9691B/9690B, Space Saver Arm, 9XTP-Canada Only - Added 2/12/04



Link-Pivot Style Wheel Locks

9691B/9690B, Space Saver Arm, 9XTP-Canada Only - Added 2/12/04

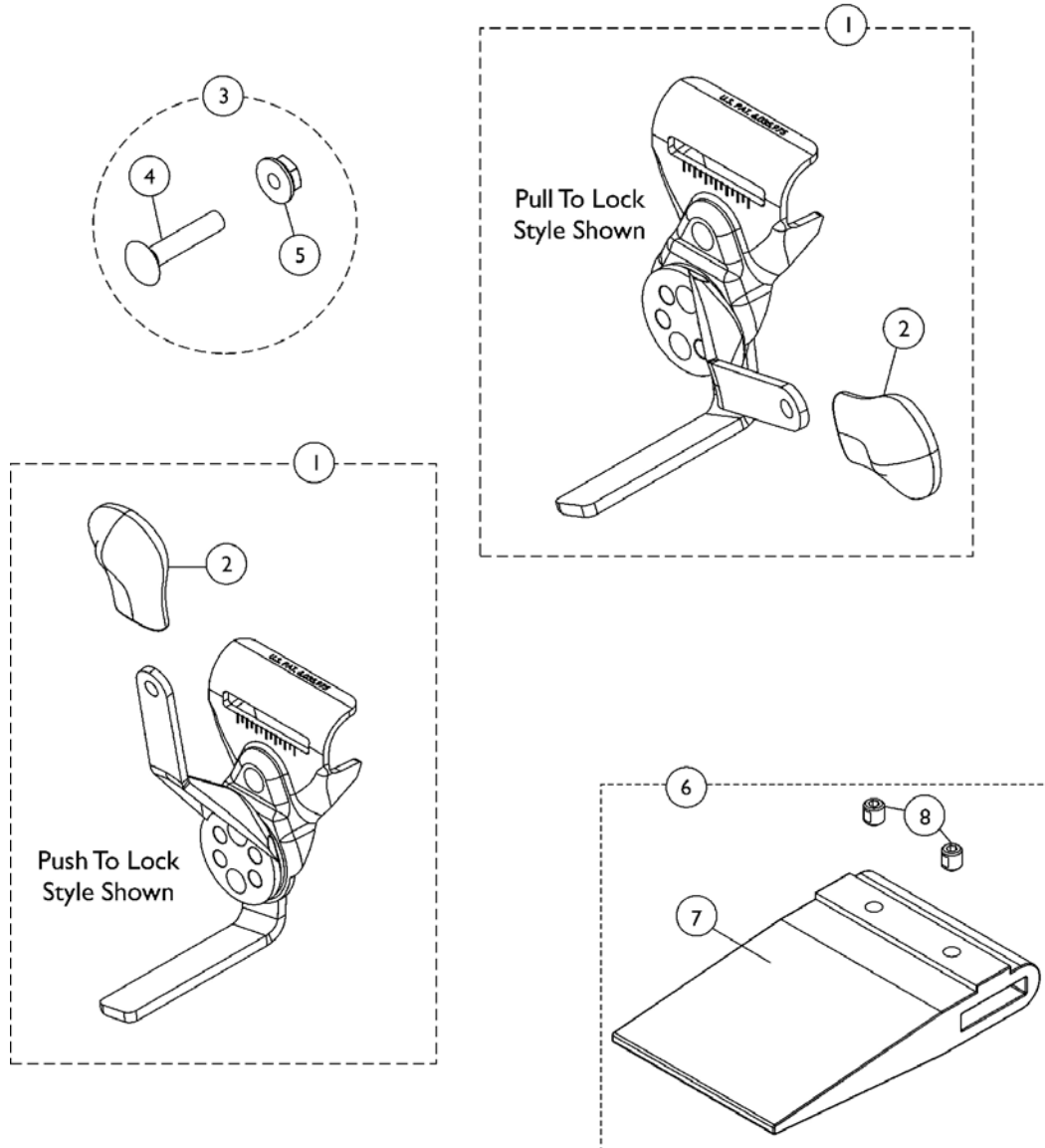
Item Number	Note	Part Number	Description	Quantity Per	
				Package	Assembly
1	A,C	1031792	Wheel Lock Assembly, Push to Lock, Adult - Right	1	1
1	A,C	1031793	Wheel Lock Assembly, Push to Lock, Adult - Left	1	1
1	B,C	1031794	Wheel Lock Assembly, Pull to Lock, Hemi - Right	1	1
1	B,C	1031795	Wheel Lock Assembly, Pull to Lock, Hemi - Left	1	1
2		47376X024	Tip, Rubber Wheel Lock Handle, Black	1	1
3	D	1017677	Kit, Hardware, Wheel Lock (Pair)	1	1
4			Bolt, Carriage (1/4-20 x 1-1/4")	1	2
5			Nut, Hex Flang (1/4-20)	1	2
6	E,F	1037421	Kit, Wheel Lock Shoe Spacer, 20" Rear Wheels (Pair)	1	1
7			Spacer, Wheel Lock Shoe (2-63/64")	1	2
8			Screw, Set Socket Cup Point (#8-32 x 3/16")	1	4
6	E,G	1037422	Kit, Wheel Lock Shoe Spacer, 22" Rear Wheels (Pair)	1	1
7			Spacer, Wheel Lock Shoe (1-45/64")	1	2
8			Screw, Set Socket Cup Point (#8-32 x 3/16")	1	4
6	E,H	7400109	Kit, Wheel Lock Shoe Spacer (Pair)	1	1
7			Spacer, Wheel Lock Shoe (2-7/16")	1	2
8			Screw, Set Socket Cup Point (#8-32 x 3/16")	1	4

NOTE: A - These items are not included with wheel lock shoe spacer, they may be needed if chair has 20 or 22" rear wheels. Shoe spacer is also required for 9000XDT Chairs with 19-20" seat depth and Tall Chairs with U2222 rear wheels.
 B - 9000XDT Chairs with Amputee Attachment and 19-20" Seat Depth - pair.
 C - Wheel Lock assemblies do not include hardware, which are items 4 and 5.
 D - Includes items 4 and 5.
 E - Includes items 7 and 8.
 F - For use on 20" rear wheel.
 G - For use on 22" rear wheel.
 H - For use on 9000XDT chairs with amputee attachment and 19-20" seat depth.

NOTE: All Wheel Locks have been changed to black in color.

Disk Style Wheel Locks

9690/9691, Conventional or Space Saver Arm, 9XT/9XDT/9SL
(8/14/03-4/13/07 Stock) (After 4/13/07 Bldr.)



Disk Style Wheel Locks

9690/9691, Conventional or Space Saver Arm, 9XT/9XDT/9SL (8/14/03-4/13/07 Stock) (After 4/13/07 Bldr.)

Item Number	Note	Part Number	Description	Quantity Per	
				Package	Assembly
1	A,H,HI, J	1110227-NLA	NLA - Wheel Lock Assembly, Disk Pull to Lock, Black - Right	1	1
1	A,H,HI, J	1110228-NLA	NLA - Wheel Lock Assembly, Disk Pull to Lock, Black - Left	1	1
1	A,H,HI, J	1110225-NLA	NLA - Wheel Lock Assembly, Disk Push to Lock, Black - Right	1	1
1	A,H,HI, J	1110226-NLA	NLA - Wheel Lock Assembly, Disk Push to Lock, Black - Left	1	1
2		1110160-NLA	NLA - Tip, Plastic Wheel Lock Handle, Black	1	1
3	B	1017677	Kit, Hardware, Wheel Lock (Pair)	1	1
4			Bolt, Carriage (1/4-20 x 1-1/4")	1	2
5			Nut, Hex Flang (1/4-20)	1	2
6	C,D,G	1067279	Kit, Wheel Lock Shoe Spacer	1	1
7			Spacer, Wheel Lock Shoe (2-7/16")	1	1
8			Screw, Set Socket Cup Point (#8-32 x 3/16")	1	2
6	C,E,G	1048656	Kit, Wheel Lock Shoe Spacer	1	1
7			Spacer, Wheel Lock Shoe (1-45/64")	1	1
8			Screw, Set Socket Cup Point (#8-32 x 3/16")	1	2
6	C,F	1037421	Kit, Wheel Lock Shoe Spacer, 20" Rear Wheels (Pair)	1	1
7			Spacer, Wheel Lock Shoe (2-63/64")	1	2
8			Screw, Set Socket Cup Point (#8-32 x 3/16")	1	4
	K,L	1101452	Wheel Lock Assembly, Push to Lock, Black - Right	1	1
	K,L	1101453	Wheel Lock Assembly, Push to Lock, Black - Left	1	1
	K,L	1101454	Wheel Lock Assembly, Pull to Lock, Black - Right	1	1
	K,L	1101455	Wheel Lock Assembly, Pull to Lock, Black - Left	1	1
	K,M	1111924	Wheel Lock Assembly, Push to Lock, Black - Right	1	1
	K,M	1111925	Wheel Lock Assembly, Push to Lock, Black - Left	1	1
	K,M	1111926	Wheel Lock Assembly, Pull to Lock, Black - Right	1	1
	K,M	1111927	Wheel Lock Assembly, Pull to Lock, Black - Left	1	1

Disk Style Wheel Locks

9690/9691, Conventional or Space Saver Arm, 9XT/9XDT/9SL (8/14/03-4/13/07 Stock) (After 4/13/07 Bldr.)

- NOTE: A - Includes the Wheel Lock and item #2.
B - Includes items 4 and 5.
C - Includes items 7 and 8
D - Used with 22" or 24" Rear Wheels with Amputee Attachment.
E - Used with 22" Rear Wheels without Amputee Attachment.
F - Used with 20" Rear Wheels. Shoe Spacer is used with or without an Amputee Attachment.
G - Kit quantity covers one side only.
H - Disk Style Wheel Locks are no longer available as a Service Part. Must convert to Link-Pivot Style Wheel Locks listed.
Order Right/Left side to match. For Conventional Arms use part #'s 1101452/1101453 (Push to Lock) or 1101454/1101455 (Pull to Lock).
HI - For Space Saver Arms use part #'s 1111924/1111925 (Push to Lock) or 1111926/1111927 (Pull to Lock). Can use existing attaching hardware.
J - Additional Wheel Lock information can be found under categories titled "Wheel Locks -9XT/9XDT/9SL-Link-Pivot Style, w/ Conventional Arms" or "Wheel Locks -9XT/9XDT/9SL-Link-Pivot Style, w/ Space Saver Arms".
K - Not Shown
L - Use for Conventional Arms.
M - Use for Space Saver Arms.

NOTE: Stock pick and Bldr. pick dates refer to how the wheel lock option was offered at the time.

NOTE: Push to Lock Wheel Lock is used on an Adult style wheelchair. Pull to Lock Wheel Lock is used on a Hemi style wheelchair.

Front Rigging, Upper Support Assembly

Footrest Upper Support Assembly

Prior Model Number	Current Model Number	Chair Width	Side	Part Number
H903, T943 A/C - Silver Vein	T93H A/C	14 - 22"	Right	1030706-NLA
H903, T943 A/C - Silver Vein	T93H A/C	14 - 22"	Left	1030707-NLA
H903, T943 A/C - Black	T93H A/C	14 - 22"	Right	1034139
H903, T943 A/C - Black	T93H A/C	14 - 22"	Left	1034140
H903	T943 A/C - Color	14 - 22"	Right	8881032955 See Note(s) A
H903	T943 A/C - Color	14 - 22"	Left	8881032956 See Note(s) A
N/A	T93H A/S/C - Color	14 - 22"	Right	8881118241 See Note(s) A
N/A	T93H A/S/C - Color	14 - 22"	Left	8881118242 See Note(s) A
N/A	T93H A/C - Black	14 - 22"	Right	1111272
N/A	T93H A/C - Black	14 - 22"	Left	1111273
N/A	T93H A/S/C - Black	14 - 22"	Right	1111274 See Note(s) C
N/A	T93H A/S/C - Black	14 - 22"	Left	1111275 See Note(s) C
N/A	T93H A/S/C - Black	14 - 22"	Right	1192525 See Note(s) D
N/A	T93H A/S/C - Black	14 - 22"	Left	1192526 See Note(s) D
N/A	GT93H A/C - Black	16 - 22"	Right	1192525
N/A	GT93H A/C - Black	16 - 22"	Left	1192526
N/A	T93H A/S/C - Color	14 - 22"	Right	8881180774 See Note(s) B
N/A	T93H A/S/C - Color	14 - 22"	Left	8881180775 See Note(s) B
N/A	GT93H A/C - Color	16 - 22"	Right	8881194312 See Note(s) A
N/A	GT93H A/C - Color	16 - 22"	Left	8881194310 See Note(s) A
N/A	T963 A/C - Color	14 - 22"	Right	8881111315 See Note(s) A
N/A	T963 A/C - Color	14 - 22"	Left	8881111316 See Note(s) A
N/A	T963 A/C - Black	14 - 22"	Right	1111319
N/A	T963 A/C - Black	14 - 22"	Left	1111320
SH93ES, SH93E - Chrome	SH93ES, SH93E - Chrome	14 - 22"	Right	1124555-NLA
SH93ES, SH93E - Chrome	SH93ES, SH93E - Chrome	14 - 22"	Left	1124556-NLA

Front Rigging, Upper Support Assembly

Footrest Upper Support Assembly

Prior Model Number	Current Model Number	Chair Width	Side	Part Number
SH93ES, SH93E - Black	SH93ES, SH93E - Black	14 - 22"	Right	1065218
SH93ES, SH93E - Black	SH93ES, SH93E - Black	14 - 22"	Left	1065219
SH93ES, SH93E - Color	SH93ES, SH93E - Color	14 - 22"	Right	8881065220 See Note(s) A
SH93ES, SH93E - Color	SH93ES, SH93E - Color	14 - 22"	Left	8881065221 See Note(s) A
H93E/S	H93E/S	16 - 22"	Right	1031245-NLA
H93E/S	H93E/S	16 - 22"	Left	1031246-NLA
H93M	H93M	16 - 22"	Right	1031243-NLA
H93M	H93M	16 - 22"	Left	1031244-NLA
H93M with FPP	H93M with FPP	14 - 22"	Right	1035449-NLA
H93M with FPP	H93M with FPP	14 - 22"	Left	1035450-NLA
NOTE: A - Specify frame finish when ordering, see category titled, "Frame Finishes, Upholstery Colors, Decals and Packaging." B - Specify 71P Silver Vein frame finish when ordering. C - After 10/14/14 color changed from Chrome to Black. It is recommended to order both the right and left side to match. D - As of 5/16/19 Model T93H now have the same Bill of Material as GT93H.				

Front Rigging, Upper Support Assembly

Legrest Upper Support Assembly

Prior Model Number	Current Model Number	Chair Width	Side	Part Number
T944 A/C Black	T94H A/C	14 - 22"	Right	1110338 See Note(s) C
T944 A/C Black	T94H A/C	14 - 22"	Left	1110339 See Note(s) C
T944 A/C Color	T94H A/C	14 - 22"	Right	8881180761 See Note(s) B
T944 A/C Color	T94H A/C	14 - 22"	Left	8881180762 See Note(s) B
N/A	T94H A/C	14 - 22"	Right	1194381 See Note(s) D
N/A	T94H A/C	14 - 22"	Left	1194382 See Note(s) D
T944 A/C Black	T94H A/C	14 - 22"	Right	1110336
T944 A/C Black	T94H A/C	14 - 22"	Left	1110337
H904	T944A/C	14 - 22"	Right	1031360-NLA
H904	T944A/C	14 - 22"	Left	1031361-NLA
SH904M, SH904MS	SH904M, SH904MS	14 - 15"	Right	1124553
SH904M, SH904MS	SH904M, SH904MS	14 - 15"	Left	1124554
AHL4	AHL4	16 - 22"	Right	1041799
AHL4	AHL4	14 - 22"	Left	1041800
N/A	TH94 A/S/C - Chrome	14 - 22"	Right	1124219
N/A	TH94 A/S/C - Chrome	14 - 22"	Left	1124220
N/A	TH94 A/S/C - Black	14 - 22"	Right	1124217
N/A	TH94 A/S/C - Black	14 - 22"	Left	1124218
N/A	GT94H A/C - Black	16 - 22"	Right	1194381
N/A	GT94H A/C - Black	16 - 22"	Left	1194382

NOTE: B - Specify 71P Silver Vein frame finish when ordering.
C - After 10/14/14 color changed from Chrome to Black. It is recommended to order both the right and left side to match.
D - As of 5/16/19 Model T94H now have the same Bill of Material as GT94H.

Pivot Slide Tube with Footplate

Footrest Pivot Slide Tube w/ Aluminum Footplate

Prior Model Number	Current Model Number	Chair Width	Frame side	Part Number
T963S, SH93ES, H903 Chrome	T963A, T943S, SH93ES, TH93S Chrome	14 - 22"	Right	1020232-NLA
T963S, SH93ES, H903 Chrome	T963A, T943S, SH93ES, TH93S Chrome	14 - 22"	Left	1020233-NLA
T963S, H903, SH93ES Black	T963A, SH93ES, T943S, TH93S, Black	14 - 22"	Right	1035200
T963S, H903, SH93ES Black	T963A, SH93ES, T943S, TH93S, Black	14 - 22"	Left	1035201
SH93E, T963A Chrome	SH93E, T963A, T943A, TH93A Chrome	14 - 22"	Right	1017243-NLA
SH93E, T963A Chrome	SH93E, T963A, T943A, TH93A Chrome	14 - 22"	Left	1017244-NLA
SH93E, T963A, SH93E Black	SH93E, T943A, T963A, SH93E, TH93A Black	14 - 22"	Right	1035202
SH93E, T963A, SH93E Black	SH93E, T943A, T963A, SH93E, TH93A Black	14 - 22"	Left	1035203
N/A	T63C Black	14 - 22"	Right	1033059
N/A	T63C Black	14 - 22"	Left	1033060
N/A	T63C Chrome	14 - 22"	Right	1017224-NLA
N/A	T63C Chrome	14 - 22"	Left	1017225-NLA
H93E, H93M	H93E, H93M Chrome	14 - 15"	Right	1020232-NLA
H93E, H93M	H93E, H93M Chrome	14 - 15"	Left	1020233-NLA
H93E, H93M	H93E, H93M Chrome	16 - 22"	Right	1028905-NLA
H93E, H93M	H93E, H93M Chrome	16 - 22"	Left	1028906-NLA
H93M w/ FPP	H93M w/ FPP	14 - 15"	Right	1031936-NLA
H93M w/ FPP	H93M w/ FPP	14 - 15"	Left	1031937-NLA
H93M w/ FPP	H93M w/ FPP Chrome	16 - 22"	Right	1033381-NLA
H93M w/ FPP	H93M w/ FPP Chrome	16 - 22"	Left	1033382-NLA
N/A	T93HA Black	18 - 22"	Right	1110344
N/A	T93HA Black	18 - 22"	Left	1110345

Pivot Slide Tube with Footplate

Footrest Pivot Slide Tube w/ Aluminum Footplate

Prior Model Number	Current Model Number	Chair Width	Frame side	Part Number
N/A	T93HSA, T93HA Black	14 - 15"	Right	1110361
N/A	T93HSA, T93HA Black	14 - 15"	Left	1110362
N/A	T93HSA, T93HA Chrome	14 - 15"	Right	1110363-NLA
N/A	T93HSA, T93HA Chrome	14 - 15"	Left	1110364-NLA
N/A	GT93HA/T93HA, T93HAB - Black	16 - 22"	Right	1111285
N/A	GT93HA/T93HA, T93HAB - Black	16 - 22"	Left	1111286
N/A	T93HA, T93HAB - Black	16 - 22"	Right	1111287-NLA
N/A	T93HA, T93HAB - Black	16 - 22"	Left	1111288-NLA

NOTE: 2" and 4" Longer Pivot Slide Tube with Footplate Assembly is not available.

Pivot Slide Tube with Footplate

Legrest Pivot Slide Tube w/ Aluminum Footplate

Prior Model #	Current Model #	Chair Width	Side	Part Number
SH904MS	SH904MS, T94HS Chrome	14 - 15"	Right	1020234-NLA
SH904MS	SH904MS, T94HS Chrome	14 - 15"	Left	1020235-NLA
SH904M	SH904M	16 - 18"	Right	1017237-NLA
SH904M	SH904M	16 - 18"	Left	1017238-NLA
H904	T944S	14 - 15"	Right	1020234-NLA
H904	T944S	14 - 15"	Left	1020235-NLA
N/A	T944A, TH94A Chrome	16 - 22"	Right	1017237-NLA
N/A	T944A, TH94A Chrome	16 - 22"	Left	1017238-NLA
N/A	TH94A Black	16 - 22"	Right	1124235
N/A	TH94A Black	16 - 22"	Left	1124236
N/A	TH94S Black	14 - 15"	Right	1124237
N/A	TH94S Black	14 - 15"	Left	1124238
AHS4	AHS4	14 - 15"	Right	1023905-NLA
AHS4	AHS4	14 - 15"	Left	1023906-NLA
AHL4	AHL4	16 - 22"	Right	1023907
AHL4	AHL4	16 - 22"	Left	1023908
N/A	GT94HA/T94HA/T94H AB Black	16 - 22"	Right	1110315 See Note(s) B
N/A	GT94HA/T94HA/T94H AB Black	16 - 22"	Left	1110316 See Note(s) B
N/A	T94HA/T94HAB Black	16 - 22"	Right	1110317-NLA See Note(s) B
N/A	T94HA/T94HAB Black	16 - 22"	Left	1110318-NLA See Note(s) B
N/A	T94HAB Black	18 - 22"	Right	1110344 See Note(s) B
N/A	T94HAB Black	18 - 22"	Left	1110345 See Note(s) B
N/A	T94HA/T94HAB Black	16 - 22"	Right	1110348 See Note(s) B
N/A	T94HA/T94HAB Black	16 - 22"	Left	1110349 See Note(s) B

Pivot Slide Tube with Footplate

Legrest Pivot Slide Tube w/ Aluminum Footplate

Prior Model #	Current Model #	Chair Width	Side	Part Number
N/A	T94HS/T94HSB Black	14 - 15"	Right	1110365 See Note(s) B
N/A	T94HS/T94HSB Black	14 - 15"	Left	1110366 See Note(s) B
N/A	T94HS/T94HSB Chrome	14 - 15"	Right	1110367-NLA See Note(s) B
N/A	T94HS/T94HSB Chrome	14 - 15"	Left	1110368-NLA See Note(s) B

NOTE: B - T94HAB or T94HSB w/ bolt through kit.

NOTE: Footplate and pivot slide tube are attached to legrest T94HA/T94HAB using spring buttons or bolt thru hardware.

NOTE: 2" and 4" Longer Pivot Slide Tube with Footplate Assembly is not available.

Pivot Slide Tube with Footplate

Bolt Through and Spring Button Kits

Style	Part Number	Quantity per Package	Quantity Per Footrest (pr)	Quantity Per Legrest (pr)
Spring Button Hardware Kit	1188335 See Note(s) A	2	4	4
Bolt Through Hardware Kit	1101776 See Note(s) A	2	2	2
Tool Kit	1058407 See Note(s) B	1	N/A	N/A

NOTE: A - Kit includes 2 ea. Double Spring Buttons.
B - Kit includes allen wrench, key, and open end wrench. The Bolt Thru Hardware uses the Tool Kit for installation.

Footrest Pivot Slide Tube w/ Composite Footplate

Prior Model #	Current Model #	Chair Width	Side	Part Number
H903 Chrome	T943C, TH93C, T963C Chrome	16 - 22"	Right	1017224-NLA
H903 Chrome	T943C, TH93C, T963C Chrome	16 - 22"	Left	1017225-NLA
H903 Black	T943C, TH93C, T963C, Black	16 - 22"	Right	1033059
H903 Black	T943C, TH93C, T963C, Black	16 - 22"	Left	1033060
N/A	T963C, TH93S, Black	14 - 15"	Right	1035200
N/A	T963C, TH93S, Black	14 - 15"	Left	1035201
N/A	T963C, TH93S Chrome	14 - 15"	Right	1020232-NLA
N/A	T963C, TH93S Chrome	14 - 15"	Left	1020233-NLA
N/A	T963C Chrome	16 - 22"	Right	1017224-NLA
N/A	T963C Chrome	16 - 22"	Left	1017225-NLA
N/A	T93HC/T93HCB Chrome	16 - 22"	Right	1111291-NLA See Note(s) A
N/A	T93HC/T93HCB Chrome	16 - 22"	Left	1111292-NLA See Note(s) A
N/A	T93HC/T93HCB Black	16 - 22"	Right	1111289 See Note(s) A
N/A	T93HC/T93HCB Black	16 - 22"	Left	1111290 See Note(s) A
N/A	GT93HC Black	16 - 22"	Right	1194329 See Note(s) A
N/A	GT93HC Black	16 - 22"	Left	1194330 See Note(s) A

Pivot Slide Tube with Footplate

NOTE: A - T93HC/T93HCB Pivot/Slide Tube and Footplate Assemblies are attached to Footrest Supports using Spring Buttons or Bolt Thru Hardware.

NOTE: 2" and 4" Longer Pivot Slide Tube with Footplate Assembly is not available.

Pivot Slide Tube with Footplate

Legrest Pivot Slide Tube w/ Composite Footplate

Prior Model #	Current Model #	Chair Width	Side	Part Number
H904	T944C, TH94C Chrome	16 - 22"	Right	1017233-NLA
H904	T944C, TH94C Chrome	16 - 22"	Left	1017234-NLA
AHL4	AHL4	16 - 22"	Right	1023909-NLA
AHL4	AHL4	16 - 22"	Left	1023910-NLA
N/A	GT94HC/T94HC/TH9 4CB Black	16 - 22"	Right	1110311
N/A	GT94HC/T94HC/TH9 4CB Black	16 - 22"	Left	1110312
N/A	T94HC/TH94CB Chrome	16 - 22"	Right	1110313-NLA
N/A	T94HC/TH94CB Chrome	16 - 22"	Left	1110314-NLA

Footplate & Pivot Slide Tube are attached to T94HC/T94HCB Legrest using Spring Buttons or Bolt Thru Hardware.
NOTE: 2" and 4" Longer Pivot Slide Tube with Footplate Assembly is not available.

Pivot Slide Tube w/ Tubular Footplate

Prior Model #	Current Model #	Chair Width	Side	Part Number
H903 Chrome/Black	T943S	14 - 15"	Right	1030752-NLA
H903 Chrome/Black	T943S	14 - 15"	Left	1030753-NLA
H903 Chrome/Black	T943C	16 - 22"	Right	1012263-NLA
H903 Chrome/Black	T943C	16 - 22"	Left	1012264-NLA

See Support Assembly page for Pivot/Slide Tube Attaching Hardware.

Pivot Slide Tube with Footplate

Pivot Slide Tubes w/ Extra Large Footplate

Footrests

Footrest Model Number	Chair Width	Side	Part Number
T963A, T93HA, Black	16 - 22"	Right	1031924-NLA
T963A, T93HA, Black	16 - 22"	Left	1031925-NLA
T963A, T963C, H93M, T93HA Chrome	16 - 22"	Right	1031926-NLA See Note(s) A
T963A, T963C, H93M, T93HA Chrome	16 - 22"	Left	1031927-NLA See Note(s) A
T963S	16 - 22"	Right	1031928-NLA
T963S	16 - 22"	Left	1031929-NLA
T963S	14 - 15"	Right	1031930-NLA See Note(s) A
T963S	14 - 15"	Left	1031931-NLA See Note(s) A
GT93HA/T93HA, T93HAB	16 - 22"	Right	1110344
GT93HA/T93HA, T93HAB	16 - 22"	Left	1110345
T93HA	14 - 15"	Right	1110346
T93HA	14 - 15"	Left	1110347

NOTE: A - All the Footrest model numbers this is used on may not be listed here.

NOTE: 2" and 4" Longer Pivot Slide Tube with Footplate Assembly is not available.

Pivot Slide Tube with Footplate

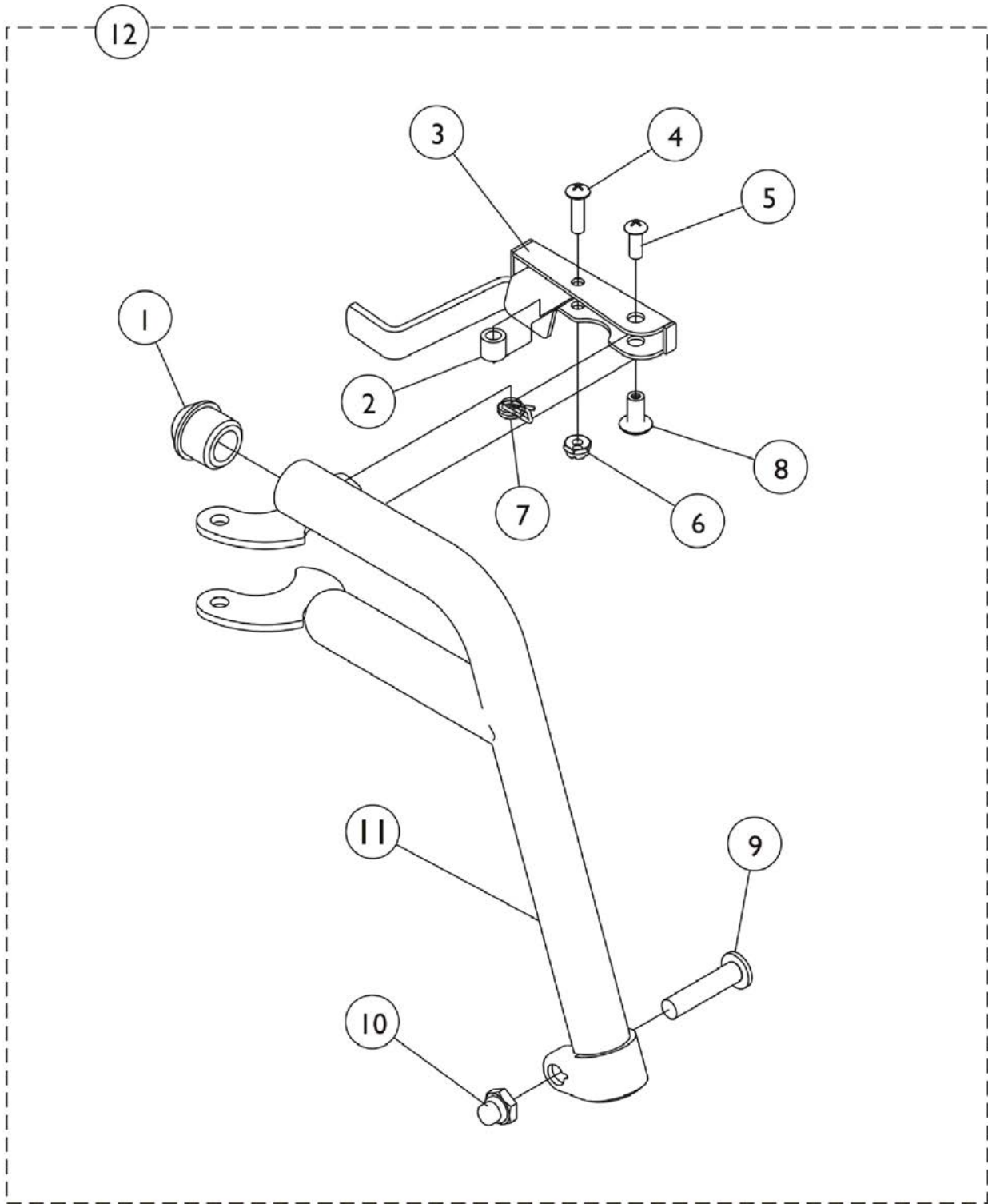
Pivot Slide Tube w/ Extra Large Footplate

Legrest

Legrest Model Number	Chair Width	Side	Part Number
GT94HA/T94HA Black	16 - 22"	Right	1110348 See Note(s) B
GT94HA/T94HA Black	16 - 22"	Left	1110349 See Note(s) B
T94HA-Chrome	16 - 22"	Right	1110350-NLA See Note(s) A
T94HA-Chrome	16 - 22"	Left	1110351-NLA See Note(s) A
T94HA-Black	16 - 22"	Right	1124239 See Note(s) B
T94HA-Black	16 - 22"	Left	1124240 See Note(s) B
AHS4-Chrome	14 - 15"	Right	1035454-NLA See Note(s) A
AHS4-Chrome	14 - 15"	Left	1035455-NLA See Note(s) A
AHL4-Chrome	16 - 22"	Right	1035456 See Note(s) A
AHL4-Chrome	16 - 22"	Left	1035457 See Note(s) A
SH904MS, H904, T944A/C-Chrome	14 - 15"	Right	1031932-NLA See Note(s) A
SH904MS, H904, T944A/C-Chrome	14 - 15"	Left	1031933-NLA See Note(s) A
SH904M, H904, T944A/C, TH94A-Chrome	16 - 22"	Right	1031934-NLA See Note(s) A
SH904M, H904, T944A/C, TH94A-Chrome	16 - 22"	Left	1031935-NLA See Note(s) A
NOTE: A - Chrome B - Black			
NOTE: 2" and 4" Longer Pivot Slide Tube with Footplate Assembly is not available.			

Footrest Support Assembly

H903, T943A/C/S



Footrest Support Assembly H903, T943A/C/S

Item Number	Note	Part Number	Description	Quantity Per	
				Package	Assembly
1		1020719	Anti-Rattle, Black	1	1
2		47565X057	Bushing (7/32 x 3/8 x 11/32")	1	1
3	A,C	1033305-NLA	NLA - Handle, Release, Chrome - Right	1	1
3	A	1033306-NLA	NLA - Handle, Release, Chrome - Left	1	1
3	A,C,D	1031469-NLA	NLA - Handle, Release, Black - Right	1	1
3	A,C,D	1031470-NLA	NLA - Handle, Release, Black - Left	1	1
	E	1087698-NLA	NLA - Handle, Release, Chrome - Right	1	1
	E	1087699-NLA	NLA - Handle, Release, Chrome - Left	1	1
4		40163X008	Screw, Phillips Pan Head (#10-32 x 11/16")	1	1
4	D	1025716	Screw, Phillips Pan Head (#10-32 x 11/16")	1	1
5		40163X002	Screw, Phillips Round Head (#10-32 x 1/2")	1	1
5	D	1026114	Screw, Phillips Pan Head (#10-32 x 1/2")	1	1
6		60279X003	Locknut (#10-32)	1	1
6	D	1025735	Locknut (#10-32)	1	1
7		1008935	Spring, Release - Right	1	1
7		1008936	Spring, Release - Left	1	1
7	D	1028707	Spring, Release - Right	1	1
7	D	1028708	Spring, Release - Left	1	1
8		67005X000	Rivnut (#10-32)	1	1
8	D	1028846-NLA	NLA - Rivnut (#10-32)	1	1
9		11232X009	Bolt, Lug (5/16-24 x 1-3/8")	1	1
9	D	1026030	Bolt, Lug (5/16-24 x 1-3/8")	1	1
10		1107321	Nut, Low Cap (5/16"-24)	1	1
11		1020416-NLA	NLA - Tube, Support, Footrest, Chrome - Right	1	1
11		1020417-NLA	NLA - Tube, Support, Footrest, Chrome - Left	1	1
11	D	1020428-NLA	NLA - Tube, Support, Footrest, Black - Right	1	1
11	D	1020429-NLA	NLA - Tube, Support, Footrest, Black - Left	1	1
11	B,D	8881065636	Tube, Support, Footrest, Color - Right	1	1
11	B,D	8881065637	Tube, Support, Footrest, Color - Left	1	1
12		See Chart	Footrest Support Assembly - H903, T943A/C/S	1	1

NOTE: A - When front rigging are ordered for a 9000XT Chair with clamp-on wheel locks, the front riggings should be ordered through Invacare Specials due to a different release handle style.
 B - Specify frame color when ordering, see category titled, "Frame Finishes, Upholstery Colors, Decals and Packaging."
 C - Release Handles used on 9000XT with Clamp-on Wheellock After 8/1/02.
 D - For use on black or colored chairs.
 E - Not shown. Order this item when ordering chair with Cyclical Lever Drive only.

NOTE: Due to design change, for all chairs built prior to 10/01/00 it is suggested that release handles be replaced in pairs.

Footrest Support Assembly - H903, T943A/C/S

Prior Model Number	Current Model Number	Chair Width	Right Side	Left Side
--------------------	----------------------	-------------	------------	-----------

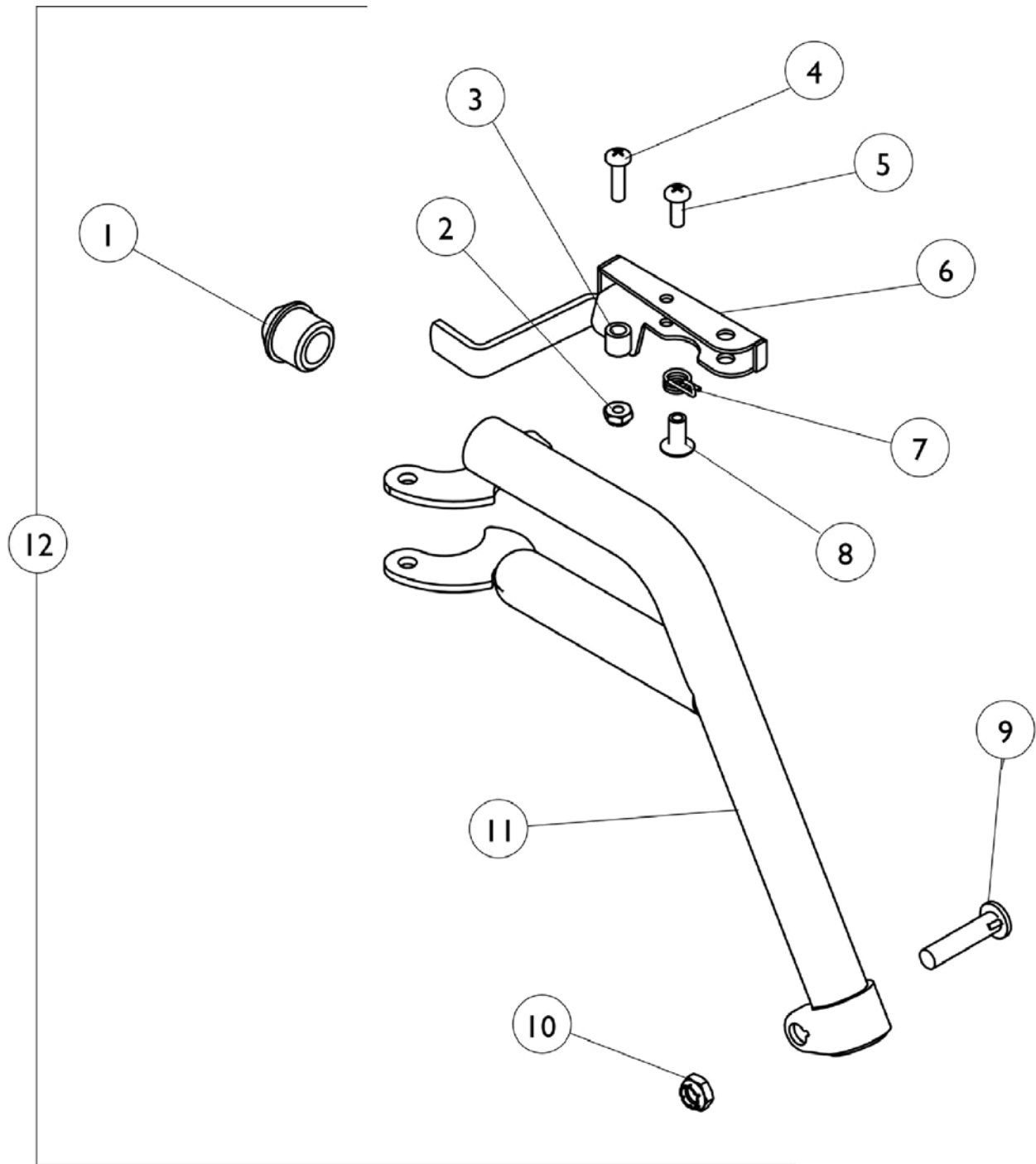
Footrest Support Assembly

H903, T943A/C/S

Footrest Support Assembly - H903, T943A/C/S

Prior Model Number	Current Model Number	Chair Width	Right Side	Left Side
H903, T943 A/C Silver Vein	T93H A/C	14-22"	1030706-NLA	1030707-NLA
H903, T943 A/C Black	T93H A/C	14-22"	1034139	1034140
H903	T943 A/C	14-22"	8881032955	8881032956

Footrest Support Assembly T963A/C/S



Footrest Support Assembly T963A/C/S

Item Number	Note	Part Number	Description	Quantity Per	
				Package	Assembly
1		1020719	Anti-Rattle, Black	1	1
2	A	60279X003	Locknut (#10-32)	1	1
2	B	1025735	Locknut (#10-32)	1	1
3		47565X057	Bushing (7/32 x 3/8 x 11/32")	1	1
4	A	40163X008	Screw, Phillips Pan Head (#10-32 x 11/16")	1	1
4	B	1025716	Screw, Phillips Pan Head (#10-32 x 11/16")	1	1
5	A	40163X002	Screw, Phillips Round Head (#10-32 x 1/2")	1	1
5	B	1026114	Screw, Phillips Pan Head (#10-32 x 1/2")	1	1
6	A,D	1035539	Handle, Release, Black - Right	1	1
6	A,D	1035540	Handle, Release, Black - Left	1	1
6	B,D	1035539	Handle, Release, Black - Right	1	1
6	B,D	1035540	Handle, Release, Black - Left	1	1
	F	1087698-NLA	NLA - Handle, Release, Chrome - Right	1	1
	F	1087699-NLA	NLA - Handle, Release, Chrome - Left	1	1
7	A	1008935	Spring, Release - Right	1	1
7	A	1008936	Spring, Release - Left	1	1
7	B	1028707	Spring, Release - Right	1	1
7	B	1028708	Spring, Release - Left	1	1
8	A	67005X000	Rivnut (#10-32)	1	1
8	B	1028846-NLA	NLA - Rivnut (#10-32)	1	1
9	A	11232X009	Bolt, Lug (5/16-24 x 1-3/8")	1	1
9	B	1026030	Bolt, Lug (5/16-24 x 1-3/8")	1	1
10	A	1107321	Nut, Low Cap (5/16"-24)	1	1
10	B	1025730	Locknut (5/16-24)	1	1
11	A	1111153-NLA	NLA - Support, Footrest, Black - Right	1	1
11	A	1111154-NLA	NLA - Support, Footrest, Black - Left	1	1
11	B,C	8881111151-NL A	NLA - Support, Footrest, Color - Right	1	1
11	B,C	8881111152-NL A	NLA - Support, Footrest, Color - Left	1	1
12	E	See Chart	Footrest Support Assembly - T963A/C/S	1	1

NOTE: A - For use on chrome chairs.
 B - For use on color chairs.
 C - Specify frame color when ordering, see category titled, "Frame Finishes, Upholstery Colors, Decals and Packaging."
 D - When front riggings are ordered for a 9000XT Chair with clamp-on wheel locks, the front rigging should be ordered through Invacare Specials due to the different release handle style.
 E - Includes items 1 thru 11.
 F - Not shown. Order this item when ordering chair with Cyclical Lever Drive only.

Footrest Support Assembly - T963A/C/S

Prior Model Number	Current Model Number	Chair Width	Right Side	Left Side

Footrest Support Assembly T963A/C/S

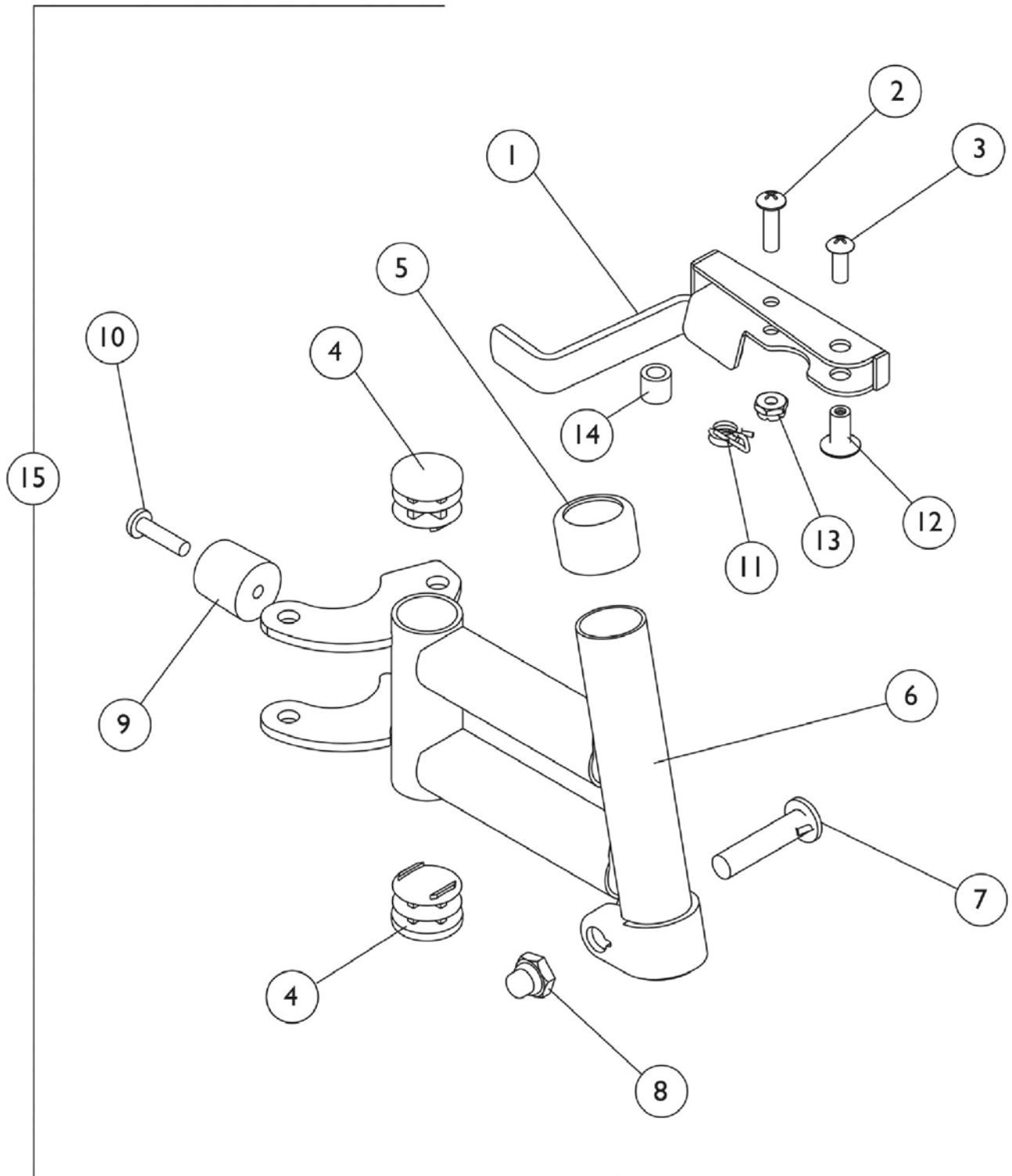
Footrest Support Assembly - T963A/C/S

Prior Model Number	Current Model Number	Chair Width	Right Side	Left Side
N/A	T963 A/C Color	14-22"	8881111315 See Note(s) A	8881111316 See Note(s) A
N/A	T963 A/C Black	14-22"	1111319	1111320

NOTE: A - Specify Frame Color; see section titled, "Frame Finishes, Upholstery Colors, Decals, and Packaging".

Footrest Support Assembly

SH93ES, SH93E



Footrest Support Assembly SH93ES, SH93E

Item Number	Note	Part Number	Description	Quantity Per	
				Package	Assembly
1	A	1124549-NLA	NLA - Handle, Release, Chrome - Right	1	1
1	A	1124550-NLA	NLA - Handle, Release, Chrome - Left	1	1
1	A	1124551	Handle, Release, Black - Right	1	1
1	A	1124552	Handle, Release, Black - Left	1	1
	F	1087698-NLA	NLA - Handle, Release, Chrome - Right	1	1
	F	1087699-NLA	NLA - Handle, Release, Chrome - Left	1	1
2	D	40163X008	Screw, Phillips Pan Head (#10-32 x 11/16")	1	1
2	E	1025716	Screw, Phillips Pan Head (#10-32 x 11/16")	1	1
3	D	40163X002	Screw, Phillips Round Head (#10-32 x 1/2")	1	1
3	E	1026114	Screw, Phillips Pan Head (#10-32 x 1/2")	1	1
4		1027095	Plug Button, Black (7/8")	1	2
5		15680X012	Collar, Anti-Rattle (7/8")	1	1
6	G	1007123-NLA	NLA - Tube, Support, Footrest, Chrome - Right	1	1
6		1007124-NLA	NLA - Tube, Support, Footrest, Chrome - Left	1	1
6		1065180	Tube, Support, Footrest, Black - Right	1	1
6		1065181	Tube, Support, Footrest, Black - Left	1	1
6	B	8881065182	Tube, Support, Footrest, Color - Right	1	1
6	B	8881065183	Tube, Support, Footrest, Color - Left	1	1
7	D	11232X009	Bolt, Lug (5/16-24 x 1-3/8")	1	1
7	E	1026030	Bolt, Lug (5/16-24 x 1-3/8")	1	1
8		1107321	Nut, Low Cap (5/16"-24)	1	1
8		7930330-NLA	NLA - Locknut (5/16-24)	25	1
9		1022874	Bumper	1	1
10		1030979	Screw, Phillips Pan Head Tap (#10-32 x 3/4")	1	1
11	D	1008935	Spring, Release - Right	1	1
11	D	1008936	Spring, Release - Left	1	1
11	E	1028707	Spring, Release - Right	1	1
11	E	1028708	Spring, Release - Left	1	1
12	D	67005X000	Rivnut (#10-32)	1	1
12	E	1028846-NLA	NLA - Rivnut (#10-32)	1	1
13	D	60279X003	Locknut (#10-32)	1	1
13	E	1025735	Locknut (#10-32)	1	1
14	D	47565X057	Bushing (7/32 x 3/8 x 11/32")	1	1
14	E	1031884-NLA	NLA - Bushing, Black or Color Chairs (9/32 x 3/8 x 11/32")	1	1
15	C	See Chart	Footrest Support Assembly - SH93ES / SH93E	1	1

NOTE: A - Due to design change, release handles should be replaced in pairs for chairs manufactured before 10/1/00.
B - Specify frame color when ordering, see category titled, "Frame Finishes and Upholstery Colors."
C - Includes items 1 thru 15.
D - For use on chrome chairs.
E - For use on color chairs.
F - Not shown. Order this item when ordering chair with Cyclical Drive only.
G - Part #1007123 is no longer available individually. Order item 15 part #1124555 Footrest Support Assembly as a replacement.

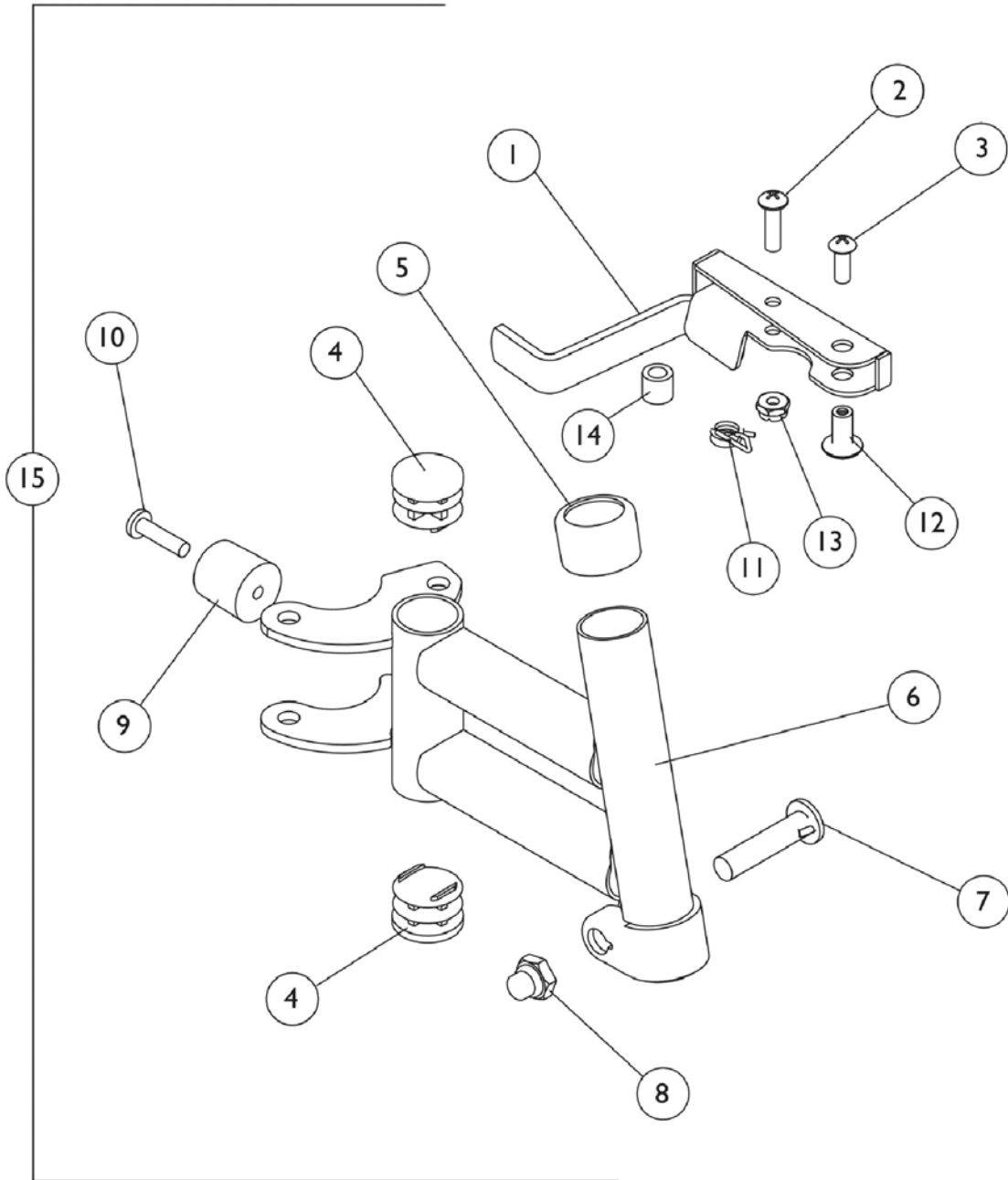
Footrest Support Assembly

SH93ES, SH93E

Footrest Support Assembly - SH93ES, SH93E

Prior Model Number	Current Model Number	Chair Width	Right Side	Left Side
SH93ES, SH93E Chrome	SH93ES, SH93E Chrome	14-22"	1124555-NLA	1124556-NLA
SH93ES, SH93E Black	SH93ES, SH93E Black	14-22"	1065218	1065219
SH93ES, SH93E Color	SH93ES, SH93E Color	14-22"	8881065220 See Note(s) A	8881065221 See Note(s) A
NOTE: A - Specify frame color when ordering, see category titled, "Frame Finishes, Upholstery Colors, Decals and Packaging."				

Footrest Support Assembly H93E



Footrest Support Assembly H93E

Item Number	Note	Part Number	Description	Quantity Per	
				Package	Assembly
1	C	1035539	Handle, Release, Black - Right	1	1
1	C	1035540	Handle, Release, Black - Left	1	1
1	A,B,C	1033305-NLA	NLA - Handle, Release, Chrome - Right	1	1
1	A,B,C	1033306-NLA	NLA - Handle, Release, Chrome - Left	1	1
	E	1087698-NLA	NLA - Handle, Release, Chrome - Right	1	1
	E	1087699-NLA	NLA - Handle, Release, Chrome - Left	1	1
2		40163X008	Screw, Phillips Pan Head (#10-32 x 11/16")	1	1
3		40163X002	Screw, Phillips Round Head (#10-32 x 1/2")	1	1
4		1027095	Plug Button, Black (7/8")	1	2
5		15680X012	Collar, Anti-Rattle (7/8")	1	1
6	F	1007123-NLA	NLA - Tube, Support, Footrest, Chrome - Right	1	1
6		1007124-NLA	NLA - Tube, Support, Footrest, Chrome - Left	1	1
7		11232X009	Bolt, Lug (5/16-24 x 1-3/8")	1	1
8		1107321	Nut, Low Cap (5/16"-24)	1	1
9		1022874	Bumper	1	1
10		1030979	Screw, Phillips Pan Head Tap (#10-32 x 3/4")	1	1
11		1008935	Spring, Release - Right	1	1
11		1008936	Spring, Release - Left	1	1
12		67005X000	Rivnut (#10-32)	1	1
13		60279X003	Locknut (#10-32)	1	1
14		47565X057	Bushing (7/32 x 3/8 x 11/32")	1	1
15	D	See Chart	Footrest Support Assembly - H93E	1	1

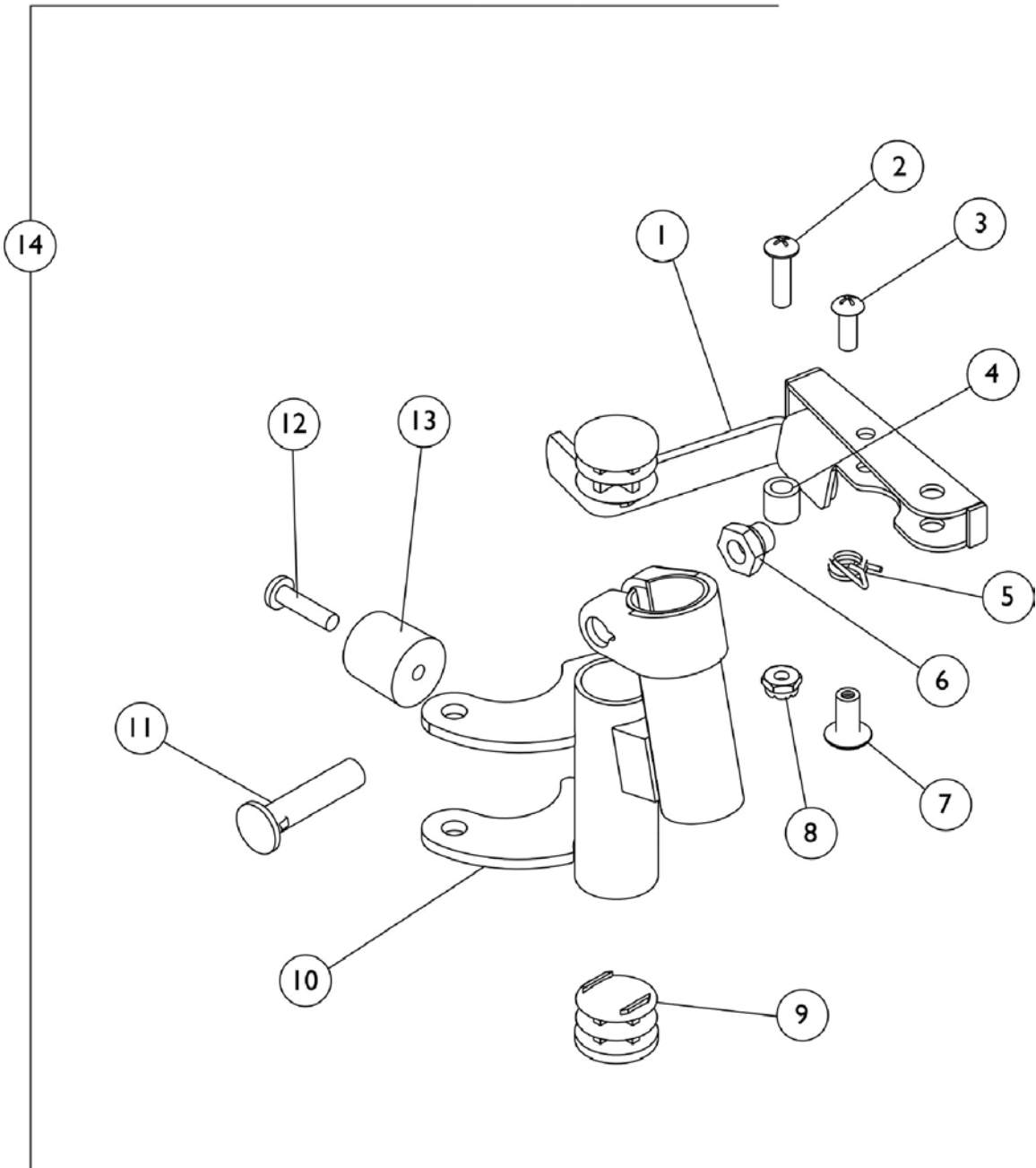
NOTE: A - For use on chairs after 8/1/02. Also, for use on 9000XT with clamp-on wheel lock.
 B - When front riggings are ordered for a 9000XT Chair with clamp-on wheel locks, the front riggings should be ordered through Invacare Specials due to a different release handle style.
 C - Due to design change, release handles should be replaced in pairs for chairs manufactured before 10/1/00.
 D - Includes items 1 thru 14.
 E - Not shown. Order this item when ordering chair with Cyclical Lever Drive only.
 F - Part #1007123 is no longer available individually. Order item 15 part #1031245 Footrest Support Assembly as a replacement.

Footrest Support Assembly - H93E

Prior Model Number	Current Model Number	Chair Width	Right Side	Left Side
H93E/S	H93E/S	16-22"	1031245-NLA	1031246-NLA

Footrest Support Assembly

H93M & H93M with FPP



Footrest Support Assembly H93M & H93M with FPP

Item Number	Note	Part Number	Description	Quantity Per	
				Package	Assembly
1	D	1035539	Handle, Release, Black - Right	1	1
1	D	1035540	Handle, Release, Black - Left	1	1
1	A,B,D	1033305-NLA	NLA - Handle, Release, Chrome - Right	1	1
1	A,B,D	1033306-NLA	NLA - Handle, Release, Chrome - Left	1	1
	G	1087698-NLA	NLA - Handle, Release, Chrome - Right	1	1
	G	1087699-NLA	NLA - Handle, Release, Chrome - Left	1	1
2		40163X008	Screw, Phillips Pan Head (#10-32 x 11/16")	1	1
3		40163X002	Screw, Phillips Round Head (#10-32 x 1/2")	1	1
4		47565X057	Bushing (7/32 x 3/8 x 11/32")	1	1
5		1008935	Spring, Release - Right	1	1
5		1008936	Spring, Release - Left	1	1
6		1107321	Nut, Low Cap (5/16"-24)	1	1
7		67005X000	Rivnut (#10-32)	1	1
8		60279X003	Locknut (#10-32)	1	1
9		1027095	Plug Button, Black (7/8")	1	2
10	E	1035141-NLA	NLA - Footrest Support, Chrome - Right	1	1
10	E	1035140-NLA	NLA - Footrest Support, Chrome - Left	1	1
10	F	1007113-NLA	NLA - Tube, Footrest Support, Hemi, Chrome - Right	1	1
10	F	1007114-NLA	NLA - Tube, Footrest Support, Hemi, Chrome - Left	1	1
11		11232X009	Bolt, Lug (5/16-24 x 1-3/8")	1	1
12		1030979	Screw, Phillips Pan Head Tap (#10-32 x 3/4")	1	1
13		1022874	Bumper	1	1
14	C	See Chart	Footrest Support Assembly - H93M & H93M with FPP	1	1

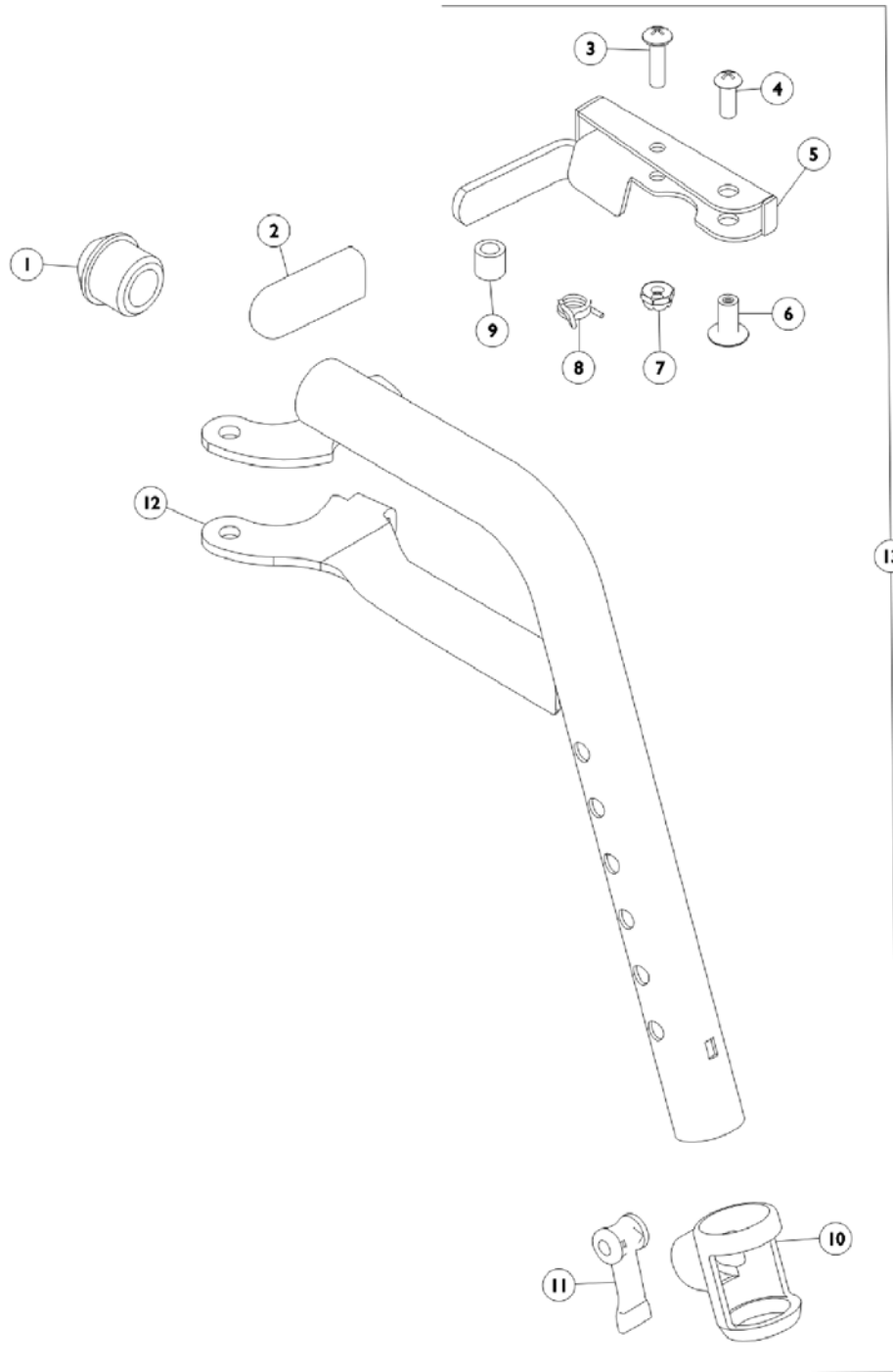
NOTE: A - When a front rigging is ordered for a 9000XT chair with clamp-on wheel locks, front rigging should be ordered through Invacare Specials due to a different release handle style.
 B - For release handles after 8/1/02 and 9XT with clamp-on wheel lock.
 C - Includes items 1-13.
 D - Due to design change, release handles should be replaced in pairs for chairs manufactured before 10/1/00.
 E - For use on H93M.
 F - For use on H93M with FPP.
 G - Not Shown. Order this item when ordering chair with Cyclical Drive only.

Footrest Support Assembly - H93M & H93M with FPP

Prior Model Number	Current Model Number	Chair Width	Right Side	Left Side
H93M	H93M	16-22"	1031243-NLA	1031244-NLA
H93M with FPP	H93M with FPP	14-22"	1035449-NLA	1035450-NLA

Footrest Support Assembly

T93H Series Before 5/16/19



Footrest Support Assembly T93H Series Before 5/16/19

Item Number	Note	Part Number	Description	Quantity Per	
				Package	Assembly
1		1020719	Anti-Rattle, Black	1	1
2		1006490	Tip, Plastic, Black	1	1
3	B,C	1025716	Screw, Phillips Pan Head (#10-32 x 11/16")	1	1
3	D	40163X008	Screw, Phillips Pan Head (#10-32 x 11/16")	1	1
4	B,C	1026114	Screw, Phillips Pan Head (#10-32 x 1/2")	1	1
4	D	40163X002	Screw, Phillips Round Head (#10-32 x 1/2")	1	1
5	B,C,J	1110178	Handle, Release, Black - Right	1	1
5	B,C,J	1110179	Handle, Release, Black - Left	1	1
5	D,H,I	1110176-NLA	NLA - Handle, Release, Chrome - Right	1	1
5	D,H,I	1110177-NLA	NLA - Handle, Release, Chrome - Left	1	1
5	F,H	1087698-NLA	NLA - Handle, Release, Chrome - Right	1	1
5	F,H	1087699-NLA	NLA - Handle, Release, Chrome - Left	1	1
6	B,C	1028846-NLA	NLA - Rivnut (#10-32)	1	1
6	D	67005X000	Rivnut (#10-32)	1	1
7	B,C	1025735	Locknut (#10-32)	1	1
7	D	60279X003	Locknut (#10-32)	1	1
8	B,C	1028707	Spring, Release - Right	1	1
8	B,C	1028708	Spring, Release - Left	1	1
8	D	1008935	Spring, Release - Right	1	1
8	D	1008936	Spring, Release - Left	1	1
9		47565X057	Bushing (7/32 x 3/8 x 11/32")	1	1
10		1048085	Housing, Cam	1	1
11		1048086	Lever, Cam, Black	1	1
12	J	1111268	Tube, Footrest, Support, Hemi, Black - Right	1	1
12	G,J,K	1111269-NLA	NLA - Tube, Footrest, Support, Hemi, Black - Left	1	1
12	H,I	1111270-NLA	NLA - Tube, Footrest Support, Hemi, Chrome - Right	1	1
12	H,I	1111271-NLA	NLA - Tube, Footrest Support, Hemi, Chrome - Left	1	1
13	A	See Chart	Item #13 Footrest Upper Support Assembly - T93H Series	1	1
	F	1087698-NLA	NLA - Handle, Release, Chrome - Right	1	1

NOTE: A - Includes items 1 thru 12.
 B - For use on Black wheelchairs.
 C - For use on Color wheelchairs.
 D - For use on Chrome wheelchairs.
 F - Not Shown. Order this item when ordering wheelchair with Cyclical Drive only.
 G - No longer available individually. See Item number 13 for replacement.
 H - Item #5 and #12 are not available for sale in color. See item #13 as a replacement for wheelchairs without Cyclical Drive Option.
 I - Before 10/15/14 color was Chrome.
 J - After 10/14/14 color is Black.
 K - Item #12 part number 1111269 is no longer available. Order item #13 as a replacement.

Footrest Support Assembly

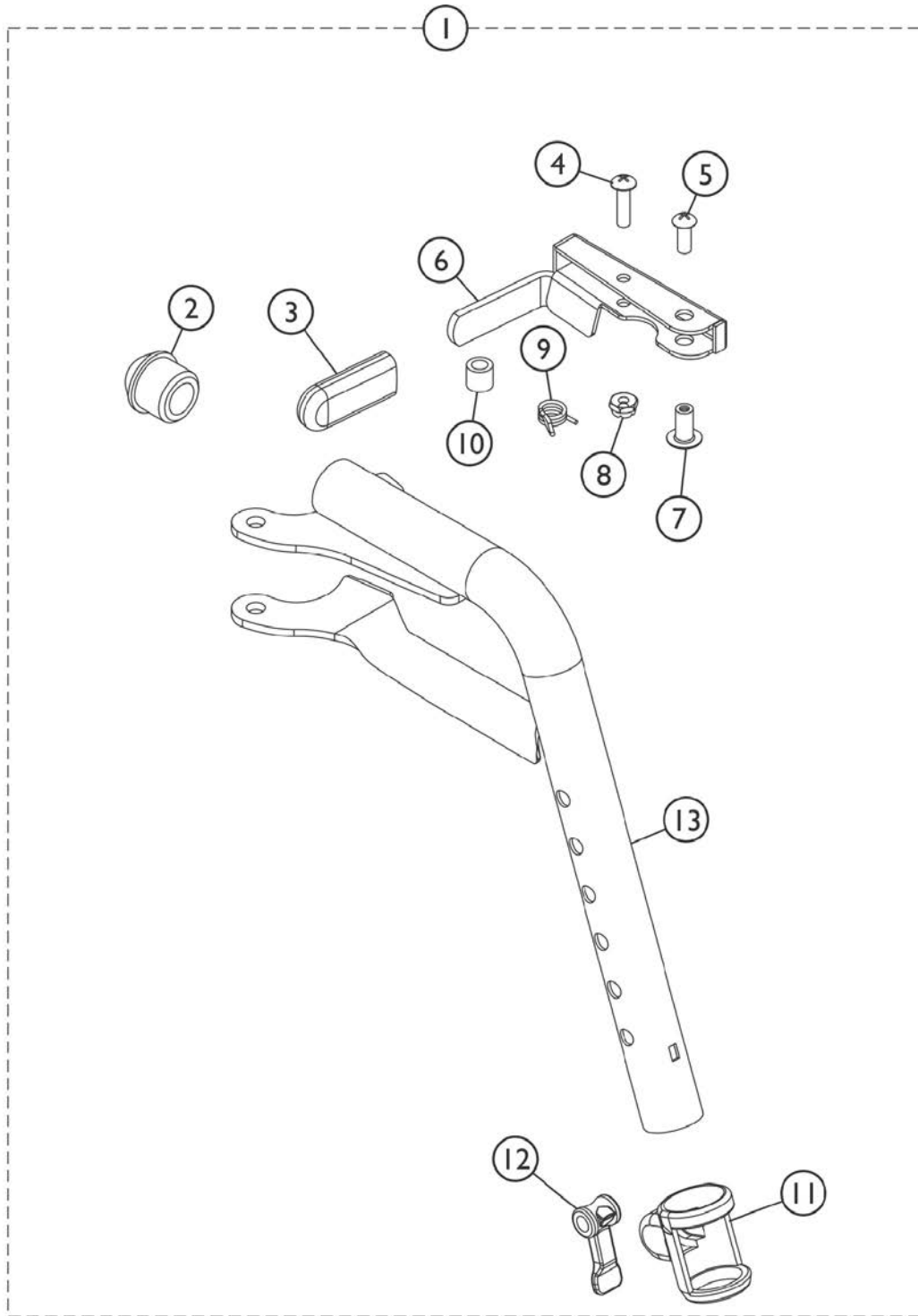
T93H Series Before 5/16/19

Item #13 Footrest Upper Support Assembly - T93H Series

Prior Model Number	Current Model Number	Chair Width	Right Side	Left Side
N/A	T93H A/S/C/AB/CB/SB Color	14 - 22"	8881118241 See Note(s) A	8881118242 See Note(s) A
N/A	T93H A/S/C/AB/CB/SB Black	14 - 22"	1111272	1111273
N/A	T93H A/S/C/AB/CB/SB Black	14 - 22"	1111274 See Note(s) C	1111275 See Note(s) C
N/A	T93H A/S/C/AB/CB/SB Color	14 - 22"	8881180774 See Note(s) B	8881180775 See Note(s) B

NOTE: A - Specify frame finish when ordering. See category titled, "Frame Finishes, Upholstery Colors, Decals and Packaging."
 B - Specify 71P Silver Vein frame finish when ordering.
 C - After 10/14/14 color changed from Chrome to Black. It is recommended to order both the right and left side to match.

Front Riggings - Footrest Support Assembly T93H Series After 5/15/19



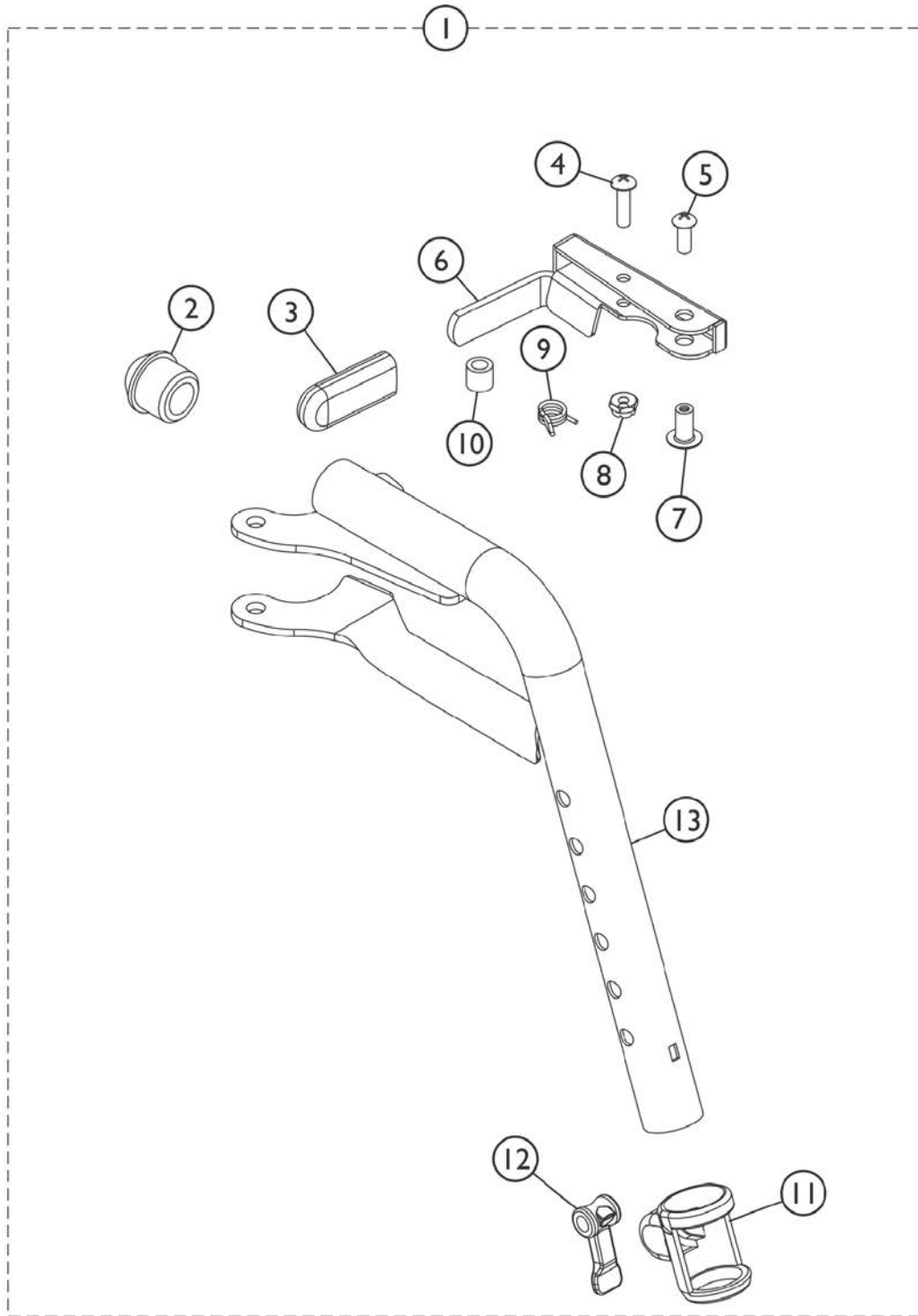
SSM_038A

Front Riggings - Footrest Support Assembly T93H Series After 5/15/19

Item Number	Note	Part Number	Description	Quantity Per	
				Package	Assembly
1	A,B,C	1192525	Footrest Support Assembly, Hemi, Black - Right	1	1
1	A,B,C	1192526	Footrest Support Assembly, Hemi, Black - Left	1	1
2		1020719	Anti-Rattle, Black	1	1
3		1006490	Tip, Plastic, Black	1	1
4		1025716	Screw, Phillips Pan Head (#10-32 x 11/16")	1	1
5		1026114	Screw, Phillips Pan Head (#10-32 x 1/2")	1	1
6		1180757	Handle, Release, Black - Right	1	1
6		1180757	Handle, Release, Black - Right	1	1
7		1028846	NLA - Rivnut (#10-32)	1	1
8		1025736	Locknut (1/4-20)	1	1
10		47565X057	Bushing (7/32 x 3/8 x 11/32")	1	1
11		1048085	Housing, Cam	1	1
12		1048086	Lever, Cam, Black	1	1

NOTE: A - Includes Items 2 thru 13.
 B - NOTE: Footrest Support Tube item #13 is not available, order item #1 as a replacement.
 C - Item #9 is not available, order item #1 as a replacement.

Front Riggings - Footrest Support Assembly GT93H Series



SSM_038A

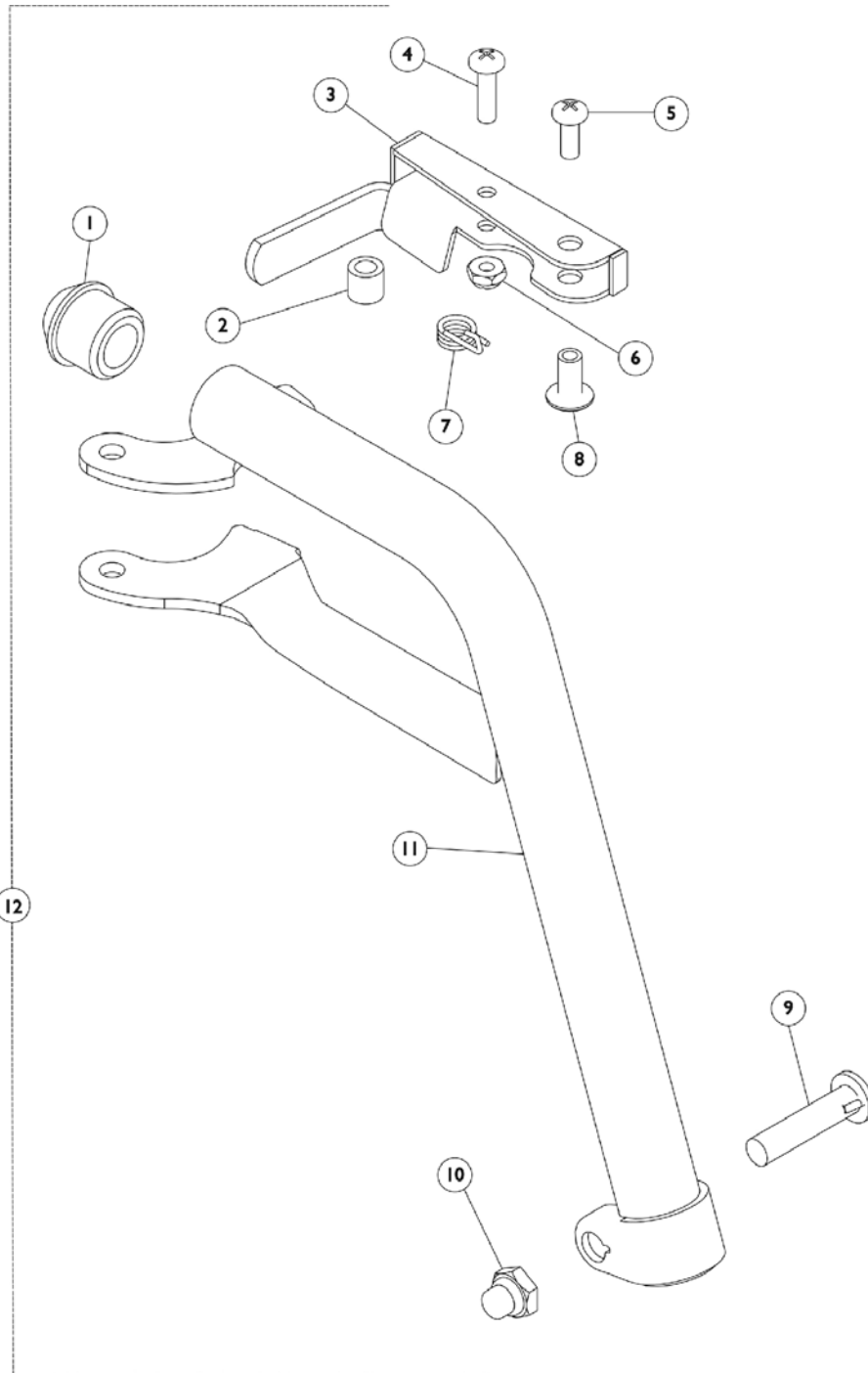
Front Riggings - Footrest Support Assembly GT93H Series

Item Number	Note	Part Number	Description	Quantity Per	
				Package	Assembly
1	A,B,C	8881194312	Footrest Support Assembly, Hemi, Color - Right	1	1
1	A,B,C	8881194310	Footrest Support Assembly, Hemi, Color - Left	1	1
1	C	1192525	Footrest Support Assembly, Hemi, Black - Right	1	1
1	C	1192526	Footrest Support Assembly, Hemi, Black - Left	1	1
2		1020719	Anti-Rattle, Black	1	1
3		1006490	Tip, Plastic, Black	1	1
4		1025716	Screw, Phillips Pan Head (#10-32 x 11/16")	1	1
5		1026114	Screw, Phillips Pan Head (#10-32 x 1/2")	1	1
6		1110178	Handle, Release, Black - Right	1	1
6		1110179	Handle, Release, Black - Left	1	1
7		1028846	NLA - Rivnut (#10-32)	1	1
8		1025736	Locknut (1/4-20)	1	1
10		47565X057	Bushing (7/32 x 3/8 x 11/32")	1	1
11		1048085	Housing, Cam	1	1
12		1048086	Lever, Cam, Black	1	1

NOTE: A - Includes Items 2 thru 13. Specify 71P Silver Vein Frame Finish when ordering.
 B - NOTE: Footrest Support Tube item #13 is not available, order item #1 as a replacement.
 C - Item #9 is not available, order item #1 as a replacement.

Footrest Support Assembly

TH93A, TH93C, TH93S

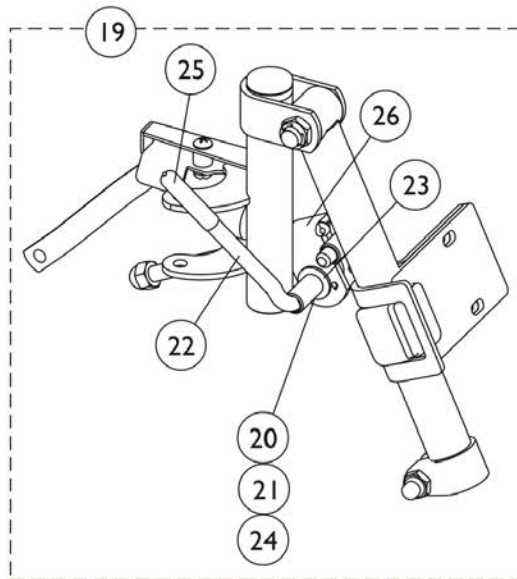
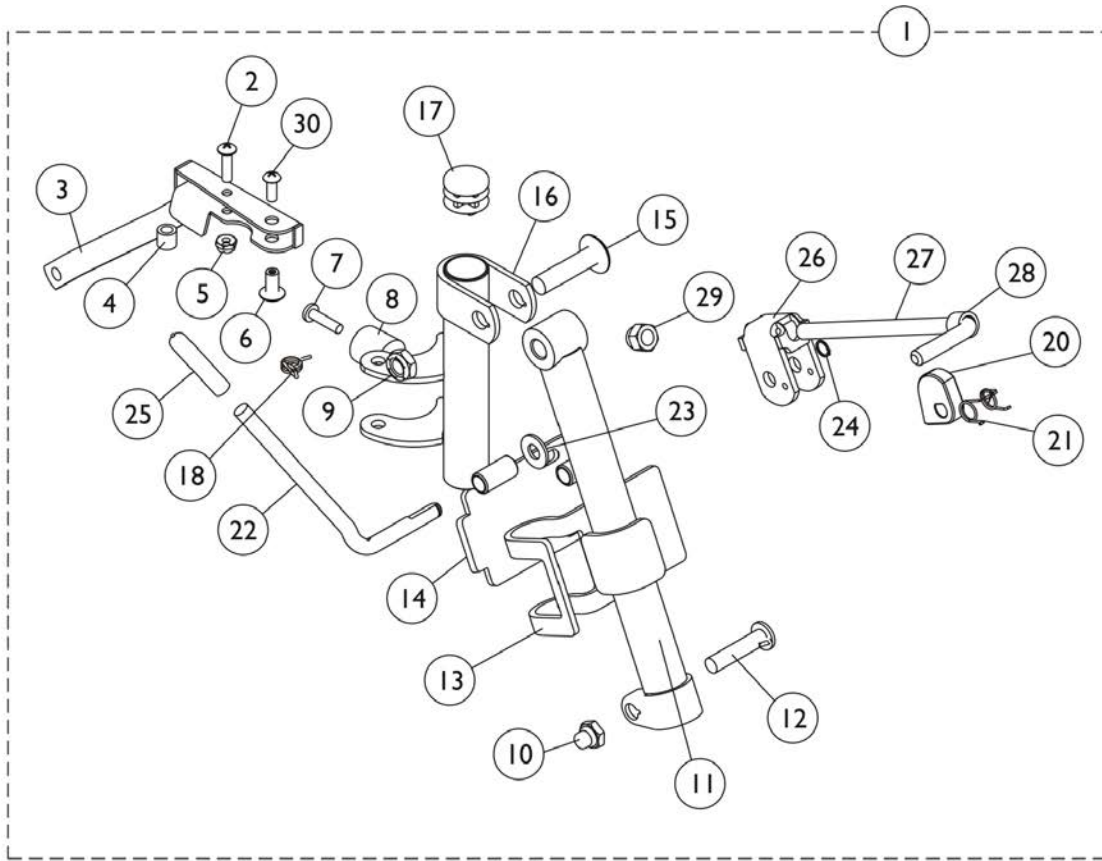


Footrest Support Assembly TH93A, TH93C, TH93S

Item Number	Note	Part Number	Description	Quantity Per	
				Package	Assembly
1		1020719	Anti-Rattle, Black	1	1
2		47565X057	Bushing (7/32 x 3/8 x 11/32")	1	1
3	D	1110176-NLA	NLA - Handle, Release, Chrome - Right	1	1
3	D	1110177-NLA	NLA - Handle, Release, Chrome - Left	1	1
3	A	1110178	Handle, Release, Black - Right	1	1
3	A	1110179	Handle, Release, Black - Left	1	1
	E	1087698-NLA	NLA - Handle, Release, Chrome - Right	1	1
	E	1087699-NLA	NLA - Handle, Release, Chrome - Left	1	1
4		1025716	Screw, Phillips Pan Head (#10-32 x 11/16")	1	1
5		1026114	Screw, Phillips Pan Head (#10-32 x 1/2")	1	1
6		1025735	Locknut (#10-32)	1	1
7		1028707	Spring, Release - Right	1	1
7		1028708	Spring, Release - Left	1	1
8		1028846-NLA	NLA - Rivnut (#10-32)	1	1
9		1026030	Bolt, Lug (5/16-24 x 1-3/8")	1	1
10		1107321	Nut, Low Cap (5/16"-24)	1	1
11		1124223-NLA	NLA - Tube, Footrest Support, Chrome - Right	1	1
11		1124224-NLA	NLA - Tube, Footrest Support, Chrome - Left	1	1
11		1124221	Tube, Footrest Support, Black - Right	1	1
11		1124222	Tube, Footrest Support, Black - Left	1	1
11	B	8881119154	Tube, Footrest Support, Color - Right	1	1
11	B	8881119155	Tube, Footrest Support, Color - Left	1	1
12	C	1124227	Footrest Support Assembly, Hemi, Black- Right	1	1
12	C	1124228	Footrest Support Assembly, Hemi, Black - Left	1	1
12	C	1124225	Footrest Support Assembly, Hemi, Black - Right	1	1
12	C	1124226	Footrest Support Assembly, Hemi, Black - Left	1	1
12	B,C	8881124229	Footrest Support Assembly, Hemi, Color - Right	1	1
12	B,C	8881124230	Footrest Support Assembly, Hemi, Color - Left	1	1

NOTE: A - Used on Black and Colored Front Riggings.
B - Specify frame color when ordering, see category titled, "Frame Finishes, Upholstery Colors, Decals and Packaging."
C - Includes items 1 thru 11.
D - For use on chrome chairs.
E - Not Shown. Order this item when ordering chair with Cyclical Drive only.

Legrest Support Assembly SH904MS, SH904M



Legrest Support Assembly SH904MS, SH904M

Item Number	Note	Part Number	Description	Quantity Per	
				Package	Assembly
1	B	See Chart	Legrest Support Assembly - SH904MS, SH904M	1	1
2		40163X008	Screw, Phillips Pan Head (#10-32 x 11/16")	1	3
3	C	1124551	Handle, Release, Black - Right	1	1
3	C	1124552	Handle, Release, Black - Left	1	1
3	C	1124549-NLA	NLA - Handle, Release, Chrome - Right	1	1
3	C	1124550-NLA	NLA - Handle, Release, Chrome - Left	1	1
	D	1087698-NLA	NLA - Handle, Release, Chrome - Right	1	1
	D	1087699-NLA	NLA - Handle, Release, Chrome - Left	1	1
4		47565X057	Bushing (7/32 x 3/8 x 11/32")	1	1
5		60279X003	Locknut (#10-32)	1	1
6		67005X000	Rivnut (#10-32)	1	1
7		1030979	Screw, Phillips Pan Head Tap (#10-32 x 3/4")	1	1
8		1022874	Bumper	1	1
9		40363X000	Hex Nut (3/8"-16)	1	1
10		1107321	Nut, Low Cap (5/16"-24)	1	1
11		04526X002-NLA	NLA - Tube, Support, Legrest, Elevating, Chrome - Right	1	1
11		04526X003-NLA	NLA - Tube, Support, Legrest, Elevating, Chrome - Left	1	1
12		11232X009	Bolt, Lug (5/16-24 x 1-3/8")	1	1
13		47352X004	Clamp, Black	1	1
14		47352X003	Lock, Pad Plate, Legrest, Black	1	1
15		11919X000-NLA	NLA - Screw, Slotted Truss Head (3/8-16 x 1-1/2")	1	1
16		04707X067	Legrest Support Only, Black- Right	1	1
16		04707X068	Legrest Support Only, Black- Left	1	1
17		1027095	Plug Button, Black (7/8")	1	1
18		1008935	Spring, Release - Right	1	1
18		1008936	Spring, Release - Left	1	1
19	A	1046328-NLA	NLA - Kit, Ratchet	2	1
20		1037125	Cam, Legrest	1	1
21		1037485	Spring, Release	1	1
22		1037126	Handle, Release	1	1
23		1013519	Washer, Nylon (5/16 x 11/16 x 1/16")	1	1
24		1040831	Ring, Snap	1	1
25		1040060	Tip, Plastic, Black	1	1
26		04528X002	Bracket, Release, Black	1	1
27		42326X001	Bar, Ratchet	1	1
28		47330X003	Spacer (5/16 x 1/2 x 3/8")	1	1
29		10261X000	Nut, Acorn (5/16-24)	1	1
30		40163X002	Screw, Phillips Round Head (#10-32 x 1/2")	1	1

Legrest Support Assembly

SH904MS, SH904M

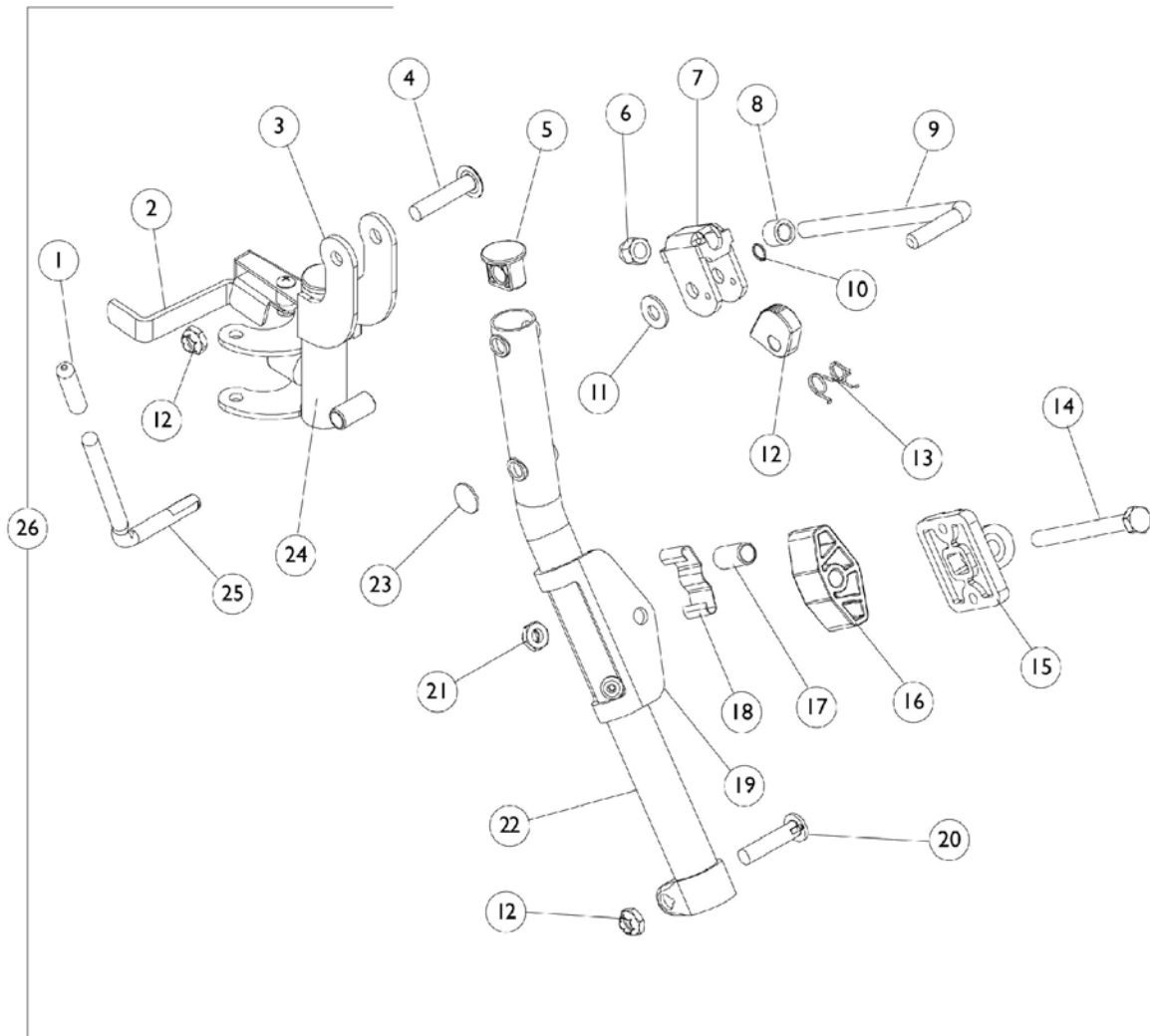
NOTE: A - Includes items 20 thru 30 and Instruction Sheet
 B - Includes items 1 thru 30.
 C - Due to design change, for all chairs built prior to 10/1/00 it is suggested that Release Handles be replaced in pairs.
 D - Not Shown. Order this item when ordering chair with Cyclical Drive only.

Legrest Support Assembly - SH904MS /SH904M

Prior Model Number	Current Model Number	Chair Width	Right Side	Left Side
SH904M, SH904MS	SH904M, SH904MS	14-15"	1124553 See Note(s) A	1124554 See Note(s) A
NOTE: A - Calf pad is sold separately and is not included in support assemblies after 7/97.				

Legrest Support Assembly

H904, T944A/C



Legrest Support Assembly H904, T944A/C

Item Number	Note	Part Number	Description	Quantity Per	
				Package	Assembly
1		1040060	Tip, Plastic, Black	1	1
2	A	1031235-NLA	NLA - Handle, Release, Chrome - Right	1	1
2	A	1031236-NLA	NLA - Handle, Release, Chrome - Left	1	1
2	A,C	1033305-NLA	NLA - Handle, Release, Chrome - Right	1	1
2	A,C	1033306-NLA	NLA - Handle, Release, Chrome - Left	1	1
	G	1087698-NLA	NLA - Handle, Release, Chrome - Right	1	1
	G	1087699-NLA	NLA - Handle, Release, Chrome - Left	1	1
3		1031354-NLA	NLA - Support, Elevating - Right	1	1
3		1031355-NLA	NLA - Support, Elevating - Left	1	1
4		1030948	Screw, Slotted Truss Head (5/16-24 x 1-1/2")	1	1
5		1095433	Plug Button, Black (7/8")	1	1
6		1107321	Nut, Low Cap (5/16"-24)	1	1
7		04528X002	Bracket, Release, Black	1	1
8		47330X003	Spacer (5/16 x 1/2 x 3/8")	1	1
9		42326X001	Bar, Ratchet	1	1
10		1040831	Ring, Snap	1	1
11		7930310-NLA	NLA - Washer, Nylon (5/16 x 11/16 x 1/16")	25	1
12		1037125	Cam, Legrest	1	1
13		1037485	Spring, Release	1	1
14		1014807	Screw, Hex Head (5/16-24 x 3-1/4")	1	1
15		04526X019	Plate, Legrest Pad	1	1
16		1091220	Spacer, Legrest	1	1
17		47328X003	Bushing, Pivot (5/16 x 7/16 x 7/8")	1	1
18		48823X008	Spring, Leaf	1	1
19		1025104	Bracket, Legrest, Chrome	1	1
20		11232X009	Bolt, Lug (5/16-24 x 1-3/8")	1	1
21		60264X001	Locknut (5/16-24)	1	3
22		1031358-NLA	NLA - Tube, Support, Legrest, Elevating, Chrome - Right	1	1
22		1031359-NLA	NLA - Tube, Support, Legrest, Elevating, Chrome - Left	1	1
23		1096773	Nut, Push Dome (5/16")	1	1
24	B	1031356-NLA	NLA - Legrest Support Tube Assembly, Hemi, Chrome - Right	1	1
24	B	1031357-NLA	NLA - Legrest Support Tube Assembly, Hemi, Chrome - Left	1	1
25		1037126	Handle, Release	1	1
	C,E	67005X000	Rivnut (#10-32)	1	1
	C,E	1030979	Screw, Phillips Pan Head Tap (#10-32 x 3/4")	1	1
	C,E	1022874	Bumper	1	1
	D,E	1046328-NLA	NLA - Kit, Ratchet	2	1
	C,E	1027095	Plug Button, Black (7/8")	1	1

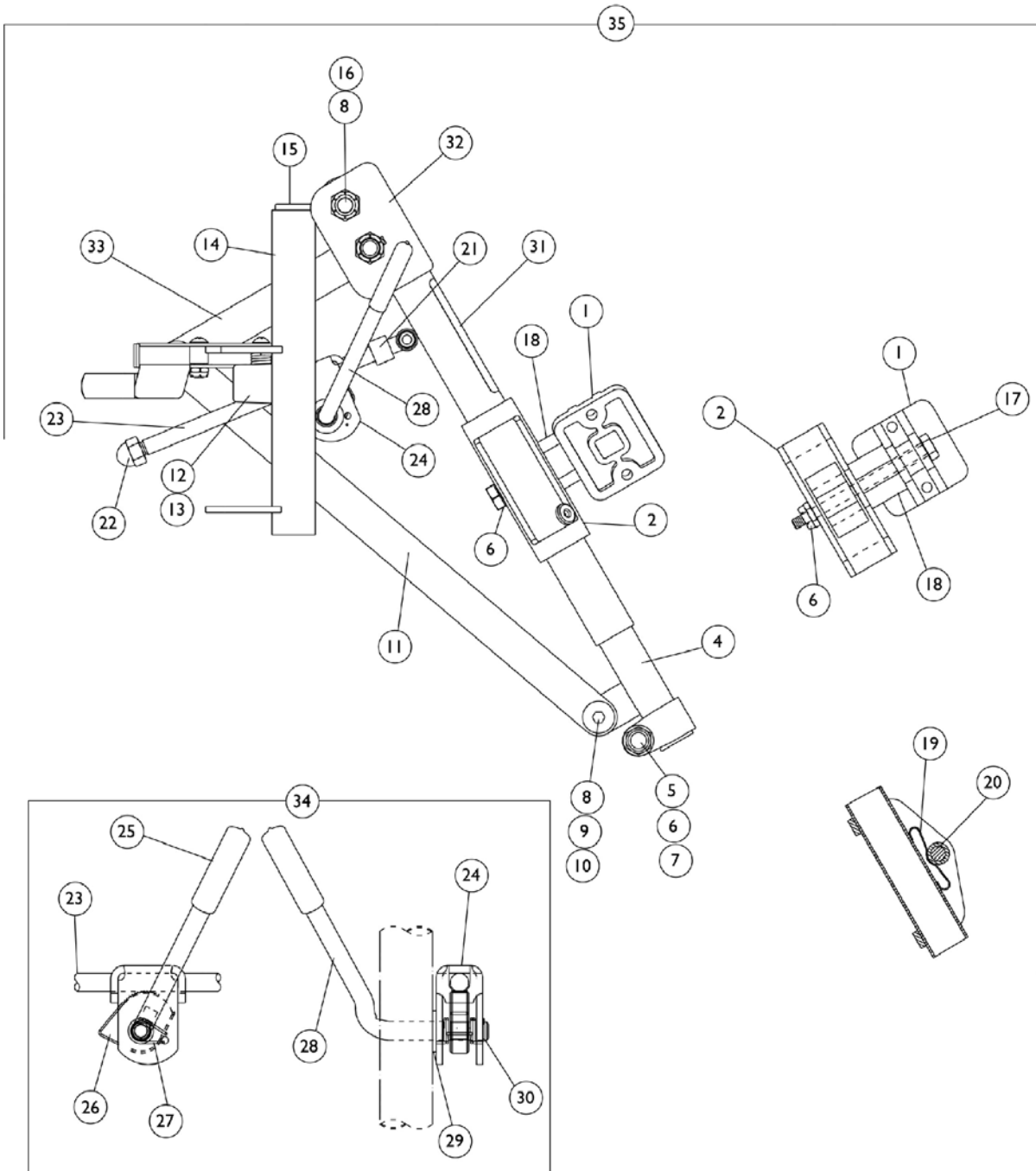
Legrest Support Assembly H904, T944A/C

Item Number	Note	Part Number	Description	Quantity Per	
				Package	Assembly
26	C,E	7930359-NLA	NLA - Package, Screw, Phillips Pan Head (#10-32 x 1/2")	25	2
	C,E	1008935	Spring, Release - Right	1	1
	C,E	1008936	Spring, Release - Left	1	1
	F	See Chart	Legrest Support Assembly - H904, T944A/C	1	1
NOTE: A - Due to design change, for all chairs built prior to 10/1/00 it is suggested that release handles be replaced in pairs. B - Includes items 2 and 3. C - Before 10/01/00 only. D - Includes Items 1, 6 thru 14, and 25 E - Not shown. F - Includes items 1 thru 25. G - Not Shown. Order this item when ordering chair with Cyclical Drive only.					

Legrest Support Assembly - H904, T944A/C

Prior Model Number	Current Model Number	Chair Width	Right Side	Left Side
H904 - Chrome	T944 A/C - Chrome	14-22"	1031360-NLA See Note(s) A	1031361-NLA See Note(s) A
NOTE: A - Calf pad is sold separately and is not included in support assemblies after 7/97.				

Legrest Support Assembly AHS4, AHL4



Legrest Support Assembly AHS4, AHL4

Item Number	Note	Part Number	Description	Quantity Per	
				Package	Assembly
1		04526X019	Plate, Legrest Pad	1	1
2		1025104	Bracket, Legrest, Chrome	1	1
3		1037125	Cam, Legrest	1	1
4		1022848	Tube, Slide, Articulating, Chrome - Right	1	1
4		1022849	Tube, Slide, Articulating, Chrome - Left	1	1
5		1027377	Washer (#20)	1	1
6		1107321	Nut, Low Cap (5/16"-24)	1	1
7		11232X009	Bolt, Lug (5/16-24 x 1-3/8")	1	1
8		40363X000	Hex Nut (3/8"-16)	1	3
9		1022866-NLA	NLA - Screw, Socket Button Head (3/8-16 x 3/4")	1	2
10		1049527	Washer, Nylon (3/8 x 3/4 x 1/16")	1	2
11		1022846-NLA	NLA - Bar, Link, Black	1	1
12		1022874	Bumper	1	1
13		1030979	Screw, Phillips Pan Head Tap (#10-32 x 3/4")	1	1
14		1023092-NLA	NLA - Legrest Support Tube Assembly, Hemi, Chrome - Right	1	1
14		1023093-NLA	NLA - Legrest Support Tube Assembly, Hemi, Chrome - Left	1	1
15		1027097	Plug Button, Black (3/4")	1	1
16		1022854-NLA	NLA - Screw, Shoulder Slotted Head (1/2 x 1-1/8", 3/8-16)	1	1
17		1014807	Screw, Hex Head (5/16-24 x 3-1/4")	1	1
18		1091220	Spacer, Legrest	1	1
19		48823X008	Spring, Leaf	1	1
20		47328X003	Bushing, Pivot (5/16 x 7/16 x 7/8")	1	1
21		47330X003	Spacer (5/16 x 1/2 x 3/8")	1	1
22		10261X000	Nut, Acorn (5/16-24)	1	1
23		42326X004	Bar, Ratchet - Right/Left	1	1
24		04528X002	Bracket, Release, Black	1	1
25		1040060	Tip, Plastic, Black	1	1
26		1037125	Cam, Legrest	1	1
27		1037485	Spring, Release	1	1
28	A	1037126	Handle, Release	1	1
29		1013519	Washer, Nylon (5/16 x 11/16 x 1/16")	1	1
30		1040831	Ring, Snap	1	1
31		1024911-NLA	NLA - Decal, Smartleg	1	1
32		1123935	Tube, Support and Drive Link, Chrome - Right	1	1
32		1123936	Tube, Support and Drive Link, Chrome - Left	1	1
33		1022864	Drive, Link, Black	1	1
34	B	1046329	Kit, Elevating Legrest Ratchet Hardware (Pair)	2	1
35	C	See Chart	Legrest Support Assembly - AHS4, AHL4	1	1

Legrest Support Assembly

AHS4, AHL4

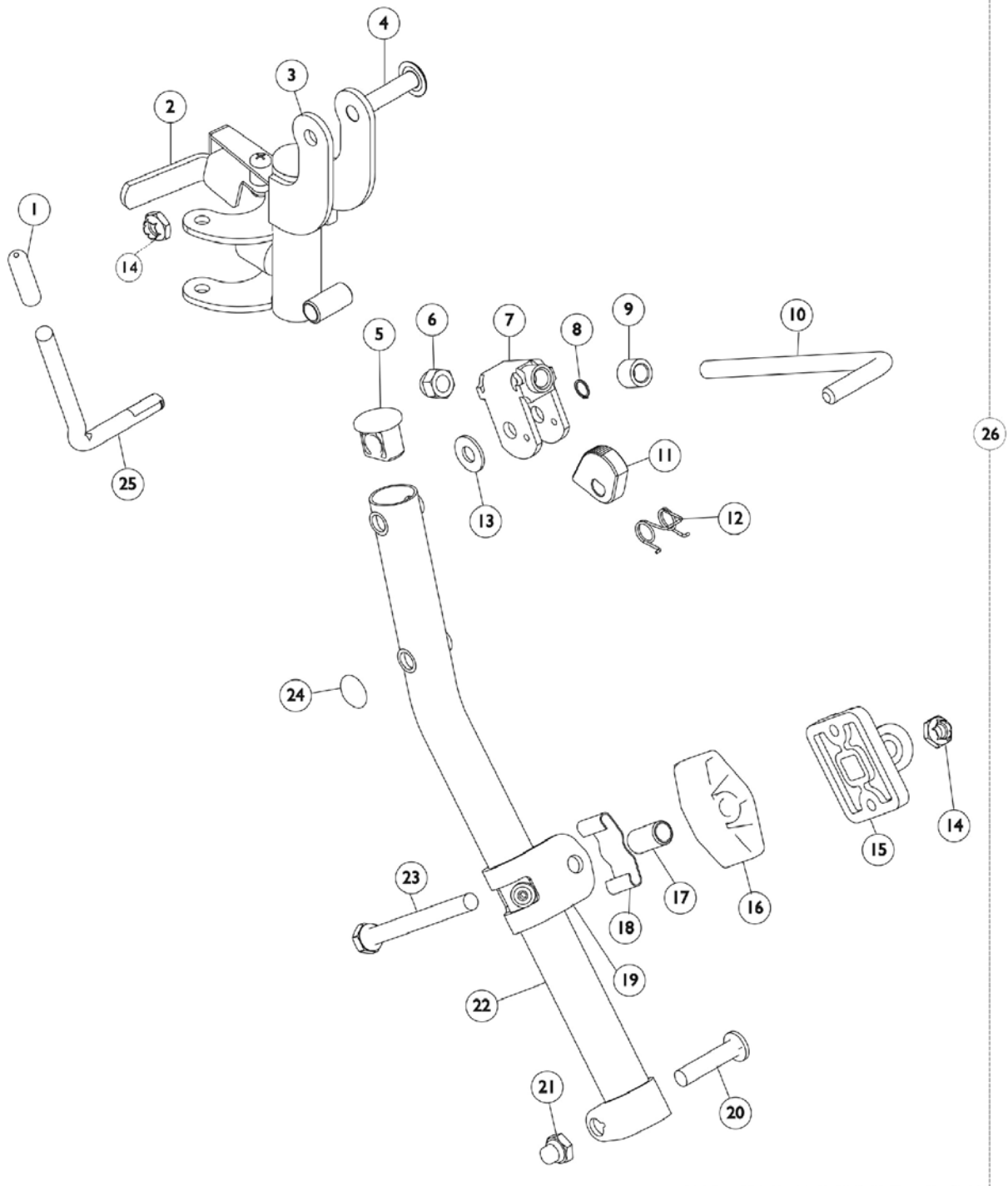
NOTE: A - Due to design change, all chairs manufactured prior to 10/1/00, it is suggested that release handles be replaced in pairs.
 B - Includes Items 21 thru 30.
 C - Includes items 1 thru 34.

Legrest Support Assembly - AHS4 and AHL4

Prior Model Number	Current Model Number	Chair Width	Right Side	Left Side
AHL4	AHL4	16-22"	1041799 See Note(s) A	1041800 See Note(s) A

NOTE: A - Calf pad is sold separately and is not included in support assemblies after 7/97.

Legrest Support Assembly TH94



Legrest Support Assembly TH94

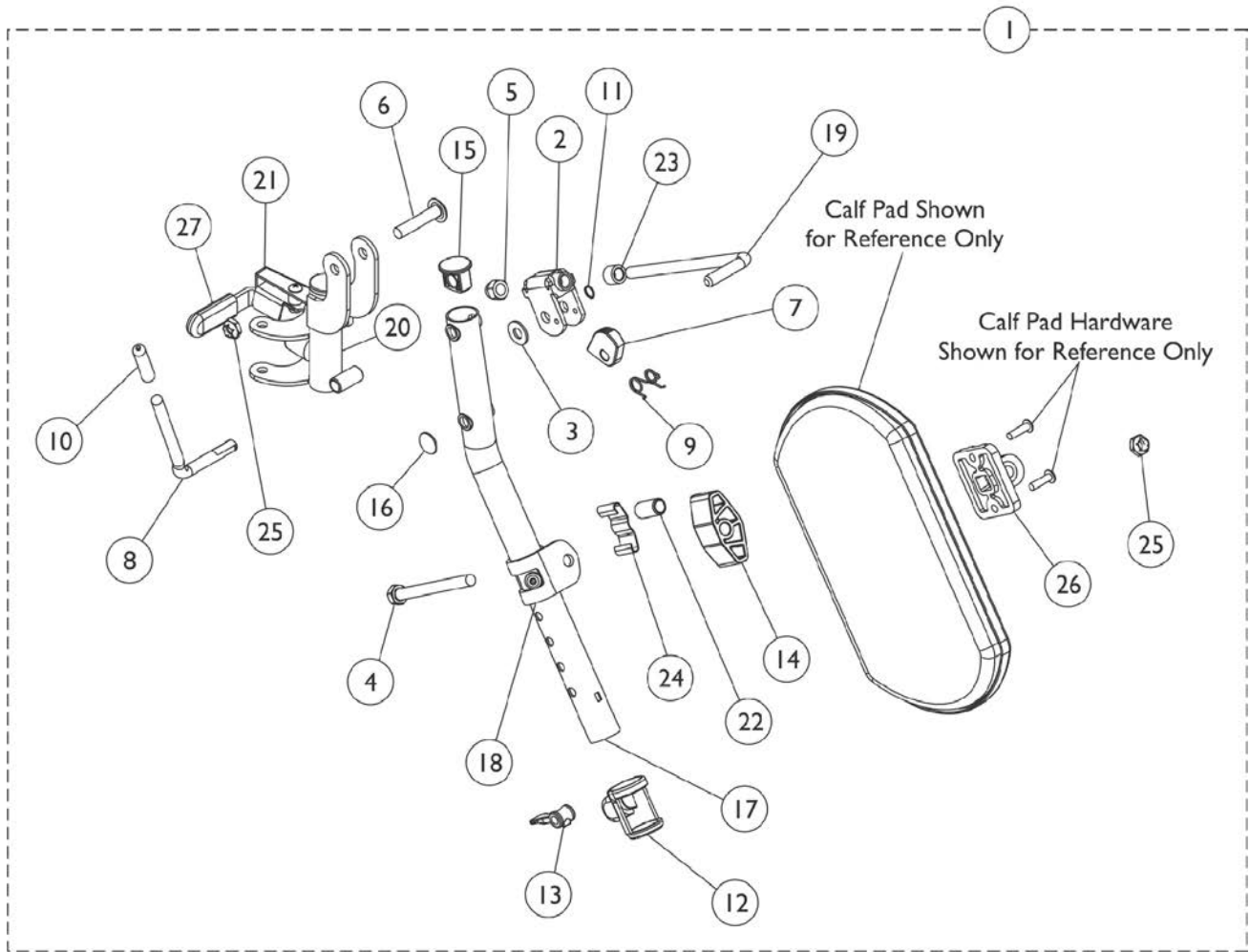
Item Number	Note	Part Number	Description	Quantity Per	
				Package	Assembly
1		1040060	Tip, Plastic, Black	1	1
2	A	1110178	Handle, Release, Black - Right	1	1
2	A	1110179	Handle, Release, Black - Left	1	1
2	B	1031235-NLA	NLA - Handle, Release, Chrome - Right	1	1
2	B	1031236-NLA	NLA - Handle, Release, Chrome - Left	1	1
	D	1087698-NLA	NLA - Handle, Release, Chrome - Right	1	1
	D	1087699-NLA	NLA - Handle, Release, Chrome - Left	1	1
3	A	1124215	Legrest Support Tube Assembly, Hemi, Black - Right	1	1
3	A	1124216	Legrest Support Tube Assembly, Hemi, Black - Left	1	1
3	B	1031356-NLA	NLA - Legrest Support Tube Assembly, Hemi, Chrome - Right	1	1
3	B	1031357-NLA	NLA - Legrest Support Tube Assembly, Hemi, Chrome - Left	1	1
4		1030948	Screw, Slotted Truss Head (5/16-24 x 1-1/2")	1	1
5		1095433	Plug Button, Black (7/8")	1	1
6		10261X000	Nut, Acorn (5/16-24)	1	1
7		1110308	Bracket, Release, Black	1	1
8		1040831	Ring, Snap	1	1
9		47330X003	Spacer (5/16 x 1/2 x 3/8")	1	1
10		42326X001	Bar, Ratchet	1	1
11		1037125	Cam, Legrest	1	1
12		1037485	Spring, Release	1	1
13		1013519	Washer, Nylon (5/16 x 11/16 x 1/16")	1	1
14		60264X001	Locknut (5/16-24)	1	2
15		04526X019	Plate, Legrest Pad	1	1
16		1091220	Spacer, Legrest	1	1
17		47328X003	Bushing, Pivot (5/16 x 7/16 x 7/8")	1	1
18		48823X008	Spring, Leaf	1	1
19	A	1110207	Bracket, Calf Pad Mounting, Black	1	1
19	B	1110208-NLA	NLA - Bracket, Calf Pad Mounting, Chrome	1	1
20	A	1026030	Bolt, Lug (5/16-24 x 1-3/8")	1	1
20	B	11232X009	Bolt, Lug (5/16-24 x 1-3/8")	1	1
21		1107321	Nut, Low Cap (5/16"-24)	1	1
22	A,E	1119206-NLA	NLA - Tube, Elevating Support, Black - Right	1	1
22	A,E	1119207-NLA	NLA - Tube, Elevating Support, Black - Left	1	1
22	B	1095434-NLA	NLA - Tube, Support, Chrome - Right	1	1
22	B	1095435-NLA	NLA - Tube, Support, Chrome - Left	1	1
23		1014807	Screw, Hex Head (5/16-24 x 3-1/4")	1	1
24		1096773	Nut, Push Dome (5/16")	1	1
25		1037126	Handle, Release	1	1
26	A,C	1124217	Legrest Support Assembly, Hemi, Black - Right	1	1
26	A,C	1124218	Legrest Support Assembly, Hemi, Black - Left	1	1
26	A,C	1124219	Legrest Support Assembly, Hemi, Black - Right	1	1

Legrest Support Assembly TH94

Item Number	Note	Part Number	Description	Quantity Per	
				Package	Assembly
26	A,C	1124220	Legrest Support Assembly, Hemi, Black - Left	1	1
NOTE: A - Black B - Chrome C - Includes items 1 thru 24. D - Not Shown. Order this item when ordering chair with Cyclical Drive only. E - No longer available. See item 26 part #1124217 or 1124218 as replacements.					

Legrest Support Assembly

T94H Series Before 5/16/19



Legrest Support Assembly T94H Series Before 5/16/19

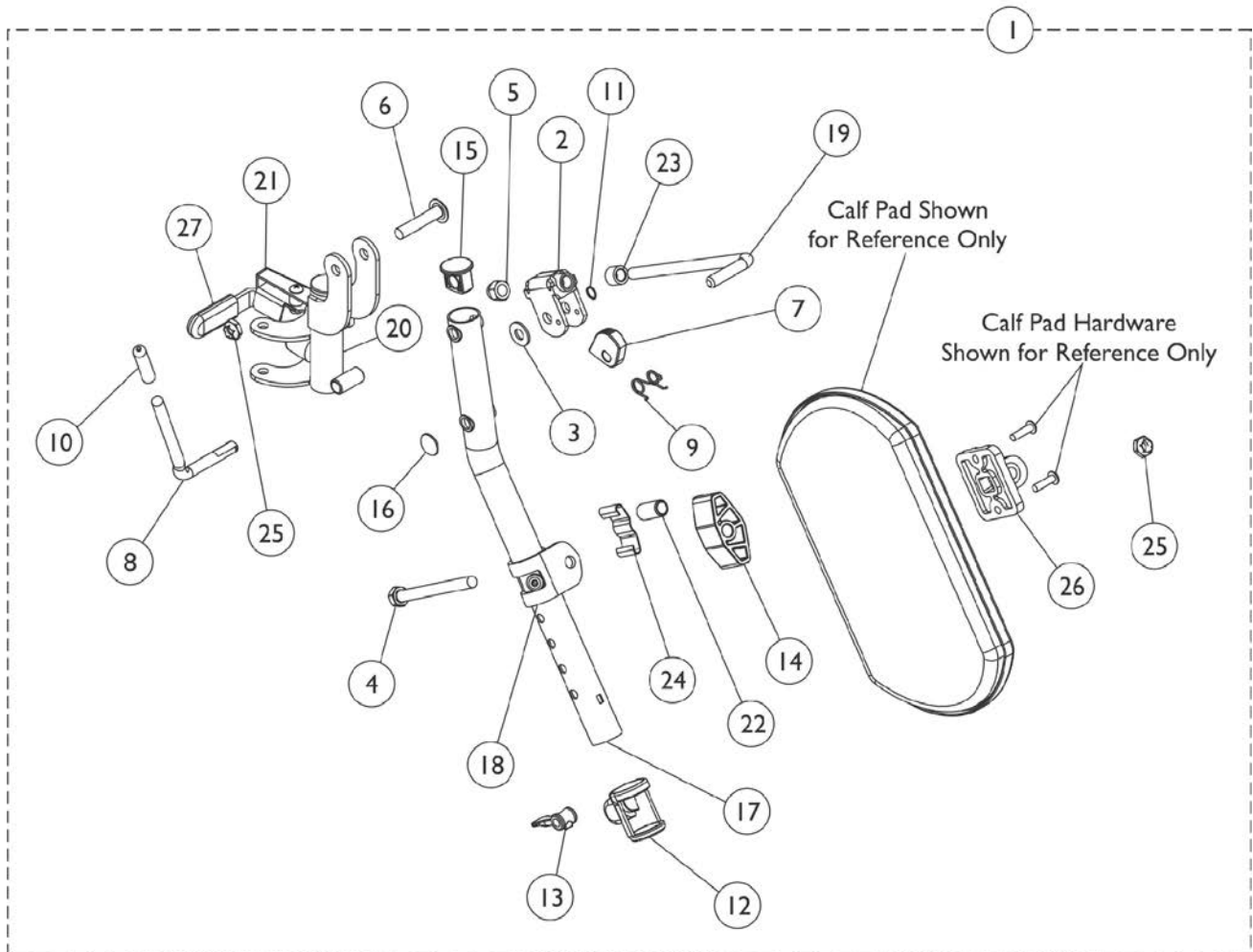
Item Number	Note	Part Number	Description	Quantity Per	
				Package	Assembly
1	A,H	1110338	Legrest Support Assembly, Hemi, Black - Right	1	1
1	A,H	1110339	Legrest Support Assembly, Hemi, Black - Left	1	1
1	A	1110336	Legrest Support Assembly, Hemi, Black - Right	1	1
1	A	1110337	Legrest Support Assembly, Hemi, Black - Left	1	1
1	A,F	8881180761	Legrest Support Assembly, Hemi, Color - Right	1	1
1	A,F	8881180762	Legrest Support Assembly, Hemi, Color - Left	1	1
2		1110308	Bracket, Release, Black	1	1
3		1013519	Washer, Nylon (5/16 x 11/16 x 1/16")	1	1
4		1014807	Screw, Hex Head (5/16-24 x 3-1/4")	1	1
5		10261X000	Nut, Acorn (5/16-24)	1	1
6		1030948	Screw, Slotted Truss Head (5/16-24 x 1-1/2")	1	1
7		1037125	Cam, Legrest	1	1
8	G	1037126	Handle, Release	1	1
9		1037485	Spring, Release	1	1
10		1040060	Tip, Plastic, Black	1	1
11		1040831	Ring, Snap	1	1
12		1048085	Housing, Cam	1	1
13		1048086	Lever, Cam, Black	1	1
14		1091220	Spacer, Legrest	1	1
15		1095433	Plug Button, Black (7/8")	1	1
16		1096773	Nut, Push Dome (5/16")	1	1
17	D,G	1110165-NLA	NLA - Tube, Elevating Support, Chrome - Right	1	1
17	G	1110166-NLA	NLA - Tube, Elevating Support, Chrome - Left	1	1
17		1110163	Tube, Elevating Support, Black - Right	1	1
17	D	1110164-NLA	NLA - Tube, Elevating Support, Black - Left	1	1
18		1110208-NLA	NLA - Bracket, Calf Pad Mounting, Chrome	1	1
18		1110207	Bracket, Calf Pad Mounting, Black	1	1
19		42326X001	Bar, Ratchet	1	1
20	B,E,G	1110334-NLA	NLA - Legrest Support Tube Assembly, Hemi, Black - Right	1	1
20	B,E,G	1110335	Legrest Support Tube Assembly, Hemi, Black - Left	1	1
20	B,D,E	1110332-NLA	NLA - Legrest Support Tube Assembly, Hemi, Black - Right	1	1
20	B,E	1110333	Legrest Support Tube Assembly, Hemi, Black - Left	1	1
21	C	1087698-NLA	NLA - Handle, Release, Chrome - Right	1	1
21	C	1087699-NLA	NLA - Handle, Release, Chrome - Left	1	1
22		47328X003	Bushing, Pivot (5/16 x 7/16 x 7/8")	1	1
23		47330X003	Spacer (5/16 x 1/2 x 3/8")	1	1
24		48823X008	Spring, Leaf	1	1
25		60264X001	Locknut (5/16-24)	1	2
26		04526X019	Plate, Legrest Pad	1	1
27		1006490	Tip, Plastic, Black	1	1
27		1127688	Package, Plastic Tip, Black	10	1

Legrest Support Assembly T94H Series Before 5/16/19

NOTE: A - Includes items 2-27.
B - Assembly includes: Item #27, tip, bumper, screws, plug, spring, nuts, handle release, legrest support and bushing.
C - Order this item when ordering chair with Cyclical Drive only.
D - No longer available as a service part individually. Order item #1 as a replacement.
E - Includes item 21.
F - Specify 71P Silver Vein frame finish when ordering.
G - Item #8, 17 and 20 are not available for sale in color. Order item #1 as a replacement.
H - After 10/14/14 color changed from Chrome to Black. It is recommended to order both the right and left side to match.

Legrest Support Assembly

T94H Series After 5/15/19

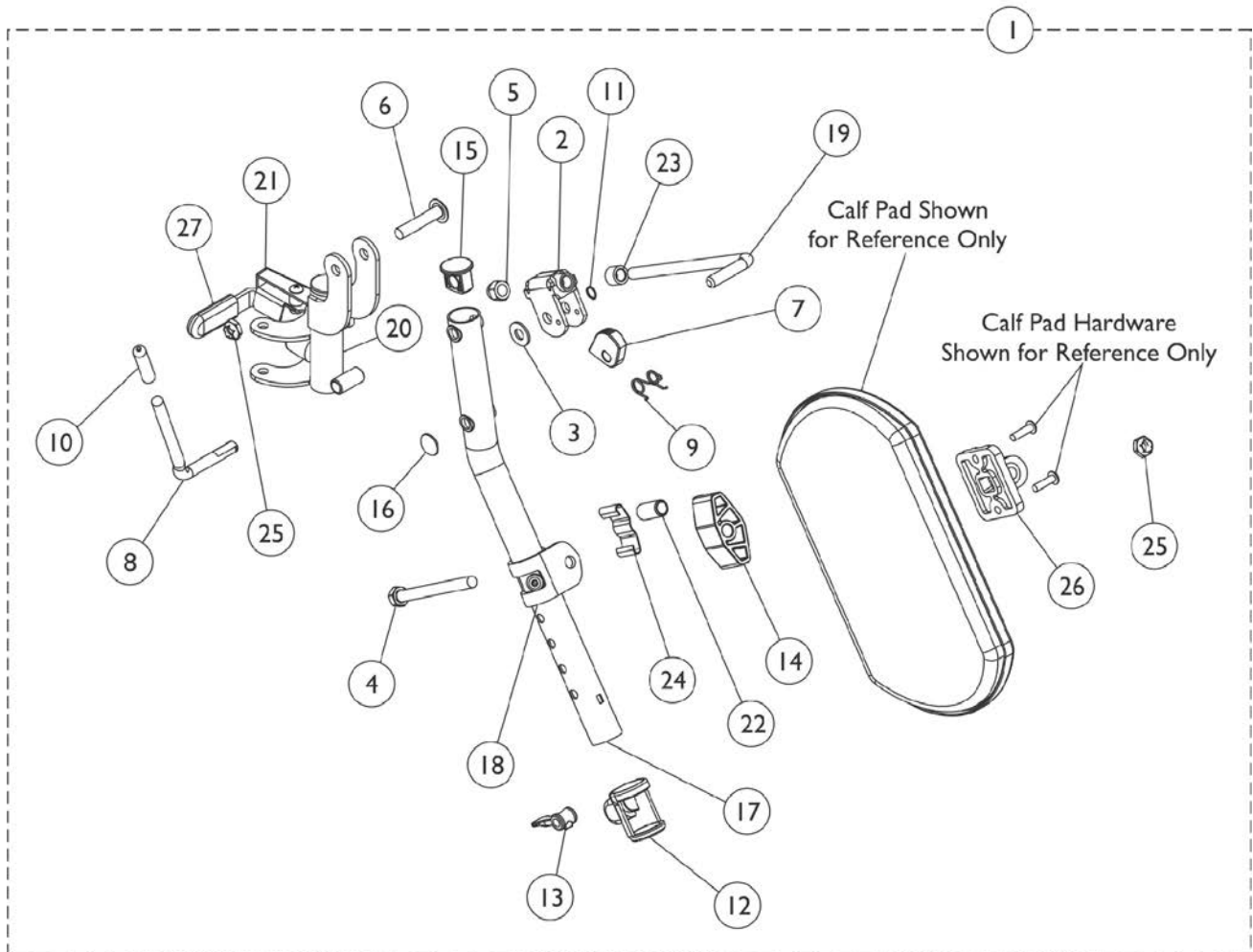


Legrest Support Assembly T94H Series After 5/15/19

Item Number	Note	Part Number	Description	Quantity Per	
				Package	Assembly
1	A,B	1194381	Legrest Support Assembly, Hemi, Black - Right	1	1
1	A,B	1194382	Legrest Support Assembly, Hemi, Black - Left	1	1
3		1013519	Washer, Nylon (5/16 x 11/16 x 1/16")	1	1
4		1014807	Screw, Hex Head (5/16-24 x 3-1/4")	1	1
5		10261X000	Nut, Acorn (5/16-24)	1	1
6		1030948	Screw, Slotted Truss Head (5/16-24 x 1-1/2")	1	1
7		1037125	Cam, Legrest	1	1
8		1037126	Handle, Release	1	1
9		1037485	Spring, Release	1	1
10		1040060	Tip, Plastic, Black	1	1
11		1040831	Ring, Snap	1	1
12		1048085	Housing, Cam	1	1
13		1048086	Lever, Cam, Black	1	1
14		1091220	Spacer, Legrest	1	1
15		1095433	Plug Button, Black (7/8")	1	1
16		1096773	Nut, Push Dome (5/16")	1	1
19		42326X001	Bar, Ratchet	1	1
21		1180757	Handle, Release, Black - Right	1	1
21		1180758	Handle, Release, Black - Left	1	1
22		47328X003	Bushing, Pivot (5/16 x 7/16 x 7/8")	1	1
23		47330X003	Spacer (5/16 x 1/2 x 3/8")	1	1
24		48823X008	Spring, Leaf	1	1
25		60264X001	Locknut (5/16-24)	1	2
26		04526X019	Plate, Legrest Pad	1	1
27		1006490	Tip, Plastic, Black	1	1
27	C	1127688	Package, Plastic Tip, Black	10	1

NOTE: A - Includes items 2-27. Items 2, 17, 18, 20 are not available for sale. Order item #1 for replacement.
B - Item #20 includes: Item 27, bumper, screws, plug, springs, nuts, handle release, Legrest Support and bushing.
C - Not Shown

Legrest Support Assembly GT94H Series



Legrest Support Assembly GT94H Series

Item Number	Note	Part Number	Description	Quantity Per	
				Package	Assembly
1	A,B	1194381	Legrest Support Assembly, Hemi, Black - Right	1	1
1	A,B	1194382	Legrest Support Assembly, Hemi, Black - Left	1	1
3		1013519	Washer, Nylon (5/16 x 11/16 x 1/16")	1	1
4		1014807	Screw, Hex Head (5/16-24 x 3-1/4")	1	1
5		10261X000	Nut, Acorn (5/16-24)	1	1
6		1030948	Screw, Slotted Truss Head (5/16-24 x 1-1/2")	1	1
7		1037125	Cam, Legrest	1	1
8		1037126	Handle, Release	1	1
9		1037485	Spring, Release	1	1
10		1040060	Tip, Plastic, Black	1	1
11		1040831	Ring, Snap	1	1
12		1048085	Housing, Cam	1	1
13		1048086	Lever, Cam, Black	1	1
14		1091220	Spacer, Legrest	1	1
15		1095433	Plug Button, Black (7/8")	1	1
16		1096773	Nut, Push Dome (5/16")	1	1
19		42326X001	Bar, Ratchet	1	1
22		47328X003	Bushing, Pivot (5/16 x 7/16 x 7/8")	1	1
23		47330X003	Spacer (5/16 x 1/2 x 3/8")	1	1
24		48823X008	Spring, Leaf	1	1
25		60264X001	Locknut (5/16-24)	1	2
26		04526X019	Plate, Legrest Pad	1	1
27		1006490	Tip, Plastic, Black	1	1
27	C	1127688	Package, Plastic Tip, Black	10	1

NOTE: A - Includes items 2-27. Items 2, 17, 18, 20, 21 are not available for sale. Order item #1 for replacement.
 B - Item #20 includes: Item 27, bumper, screws, plug, springs, nuts, handle release, Legrest Support and bushing.
 C - Not Shown

Calf Pads

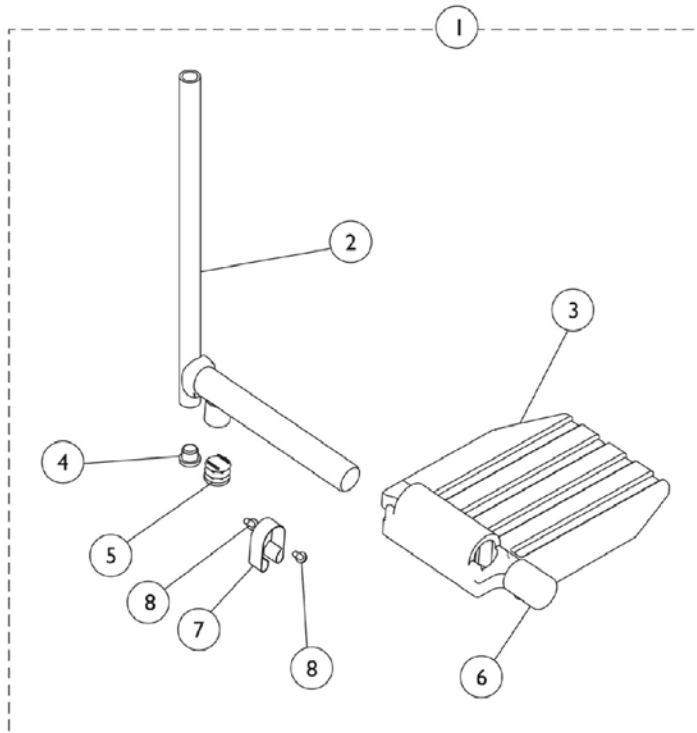
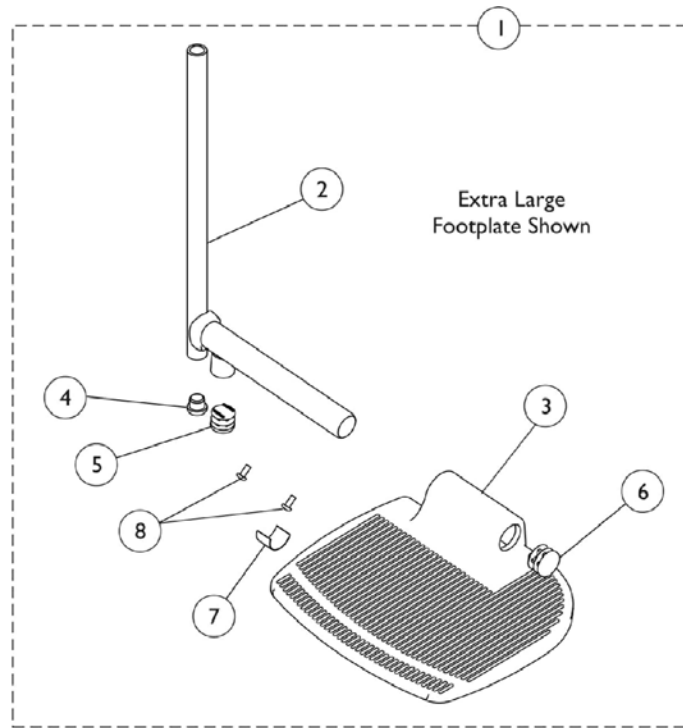
Due to a change to the Legrest Calf Pad size made on 4/23/12, you must also order the hardware kit (1066591) when ordering replacement Calf Pads.

Calf Pads and Hardware

Part Number	Description	Quantity per Package	Quantity per Assembly
88804530X003 See Note(s) A, G, B	Pad, Legrest Vinyl - Right	1	1
88804530X004 See Note(s) A, B, G	Pad, Legrest Vinyl - Left	1	1
88804529X003 See Note(s) G, C, A	Pad, Legrest Vinyl - Right	1	1
88804529X004 See Note(s) A, C, G	Pad, Legrest Vinyl - Left	1	1
1091767-NLA See Note(s) D, A	Pad with Screws, Pair	2	1
8881091759 See Note(s) G, A	Pad with Cover & Screws, Vinyl - (Pair)	2	1
8881091764 See Note(s) G, E, A	Pad, Legrest Vinyl - Right/Left	1	1
01415X000-NLA	Cover, Legrest Pad	1	1
1066591 See Note(s) F	Hardware, Legrest Pad	1	1
<p>NOTE: A - Specify frame color when ordering, see category titled, "Frame Finishes, Upholstery Colors, Decals and Packaging." B - Used with SH904M and SH904MS Legrest Supports. C - Used with AHS4A, T94HS, T94HSB and TH94S Legrest Supports. D - Before 9/5/00. E - After 9/4/00. F - Includes Screws and Instruction Sheet. G - Due to a change to the Legrest Calf Pad size made on 4/23/12, you must also order the hardware kit (1066591) when ordering replacement Calf Pads.</p>			
NOTE: Parts listed in the chart are not shown.			

Pivot Slide Tube with Footplate

AHS4 / AHL4 Legrests



Pivot Slide Tube with Footplate AHS4 / AHL4 Legrests

Item Number	Note	Part Number	Description	Quantity Per	
				Package	Assembly
1	A	See Chart	Pivot Slide Tube with Footplate	1	1
2		1041526	Pivot/Slide Tube w/ Plug Button Assembly, Chrome	1	1
3		44200X059	Footplate, Aluminum, Small, Black (6-3/4" W x 6" L)	1	1
3		44200X027	Footplate, Aluminum, Medium, Black (7-3/4" W x 6" L)	1	1
3		1015178	Footplate, Composite, Black (6" W x 7-53/64" L)	1	1
3		44200X025	Footplate, Aluminum, Extra Large, Black - Right (8" W x 8-1/2" L)	1	1
3		44200X026	Footplate, Aluminum, Extra Large, Black - Left (8" W x 8-1/2" L)	1	1
4		1018133	Plug Button, Black (5/8")	1	1
5		1027097	Plug Button, Black (3/4")	1	1
6		1016346	Cap, End, Tube, Black (7/8")	1	1
6	B	1027095	Plug Button, Black (7/8")	1	1
7		1006981	Spring, Tension	1	1
8		40120X001	Screw, Phillips Pan Head (#8-32 x 3/8")	1	2

NOTE: A - Includes items 2-8.
B - For use on extra large footplates.

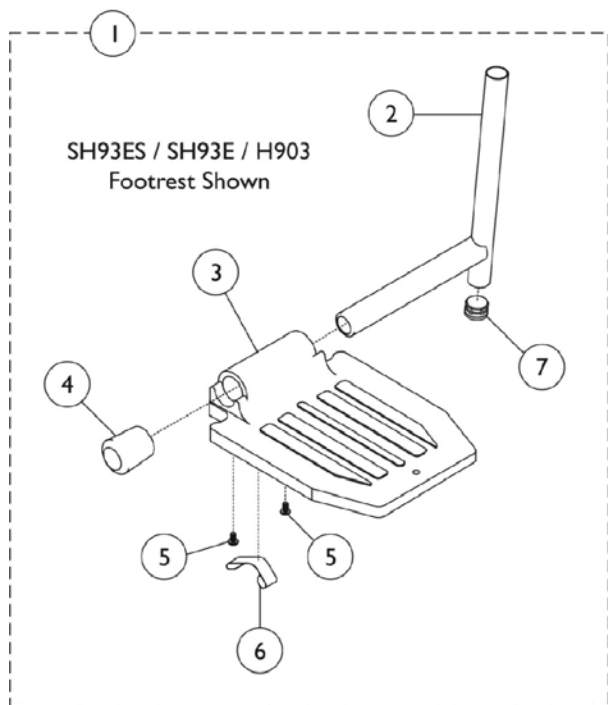
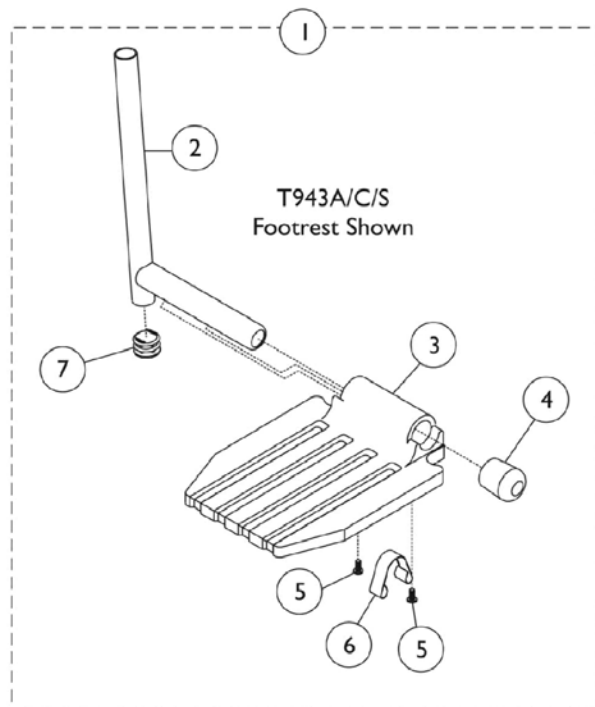
NOTE: Pivot Slide Tube and Footplate is attached to Legrest Support using a compression clamp welded to the Support Assembly.

Pivot Slide Tube with Footplate - Chrome

Model Number	Chair Width	Footplate Style	Frame Side	Part Number
AHS4	14-15"	Aluminium	Right	1023905-NLA
AHS4	14-15"	Aluminium	Left	1023906-NLA
AHL4	16-22"	Aluminium	Right	1023907
AHL4	16-22"	Aluminium	Left	1023908
AHL4	16-22"	Composite	Right	1023909-NLA
AHL4	16-22"	Composite	Left	1023910-NLA
AHS4	14-15"	Extra Large	Right	1035454-NLA
AHS4	14-15"	Extra Large	Left	1035455-NLA
AHL4	16-22"	Extra Large	Right	1035456
AHL4	16-22"	Extra Large	Left	1035457

Pivot Slide Tube with Footplate

H903, T943A/C/S, T963A/C, SH93ES, SH93E, TH93A Footrest



Pivot Slide Tube with Footplate

H903, T943A/C/S, T963A/C, SH93ES, SH93E, TH93A Footrest

Pivot Slide Tube with Footplate

Item Number	Note	Part Number	Description	Quantity Per	
				Package	Assembly
1	A	See Chart	Pivot Slide Tube and Footplate	1	1
2		1041527	Pivot/Slide Tube w/ Plug Button, Black	1	1
2		1041528-NLA	NLA - Pivot/Slide Tube w/ Plug Button, Chrome	1	1
2		1086474-NLA	NLA - Pivot Slide Tube w/ Plug Buttons, Chrome (2" Longer)	1	1
2		1086475-NLA	NLA - Pivot/Slide Tube w/ Plug Buttons, Chrome (4" Longer)	1	1
2		1086479-NLA	NLA - Pivot/Slide Tube w/ Plug Button, Black (2" Longer)	1	1
2		1086480-NLA	NLA - Pivot/Slide Tube w/ Plug Button, Black (4" Longer)	1	1
3		1015178	Footplate, Composite, Black (6" W x 7-53/64" L)	1	1
3		44200X059	Footplate, Aluminum, Small, Black (6-3/4" W x 6" L)	1	1
3		44200X027	Footplate, Aluminum, Medium, Black (7-3/4" W x 6" L)	1	1
4		1016346	Cap, End, Tube, Black (7/8")	1	1
5		40120X001	Screw, Phillips Pan Head (#8-32 x 3/8")	1	1
6		1006981	Spring, Tension	1	1
7		1027097	Plug Button, Black (3/4")	1	1

NOTE: A - Includes items 2-7.

NOTE: Pivot Slide Tube and Footplate is attached to Footrest Support using a compression clamp welded to the Support Assembly.

Pivot Slide Tube and Footplate

Prior Model Number	Current Model Number	Chair Width	Frame Side	Standard	2" Longer	4" Longer
T963S, SH93ES, H903 - Chrome	T963A, T943S, SH93ES, TH93S - Chrome	14-22"	Right	1020232-NLA	N/A	N/A
T963S, SH93ES, H903 - Chrome	T963A, T943S, SH93ES, TH93S - Chrome	14-22"	Left	1020233-NLA	N/A	N/A
T963S, H903 SH93ES - Black	T963A, SH93ES T943S, TH93S - Black	14-22"	Right	1035200	N/A	N/A
T963S, H903 SH93ES - Black	T963A, SH93ES T943S, TH93S - Black	14-22"	Left	1035201	N/A	N/A

Pivot Slide Tube with Footplate

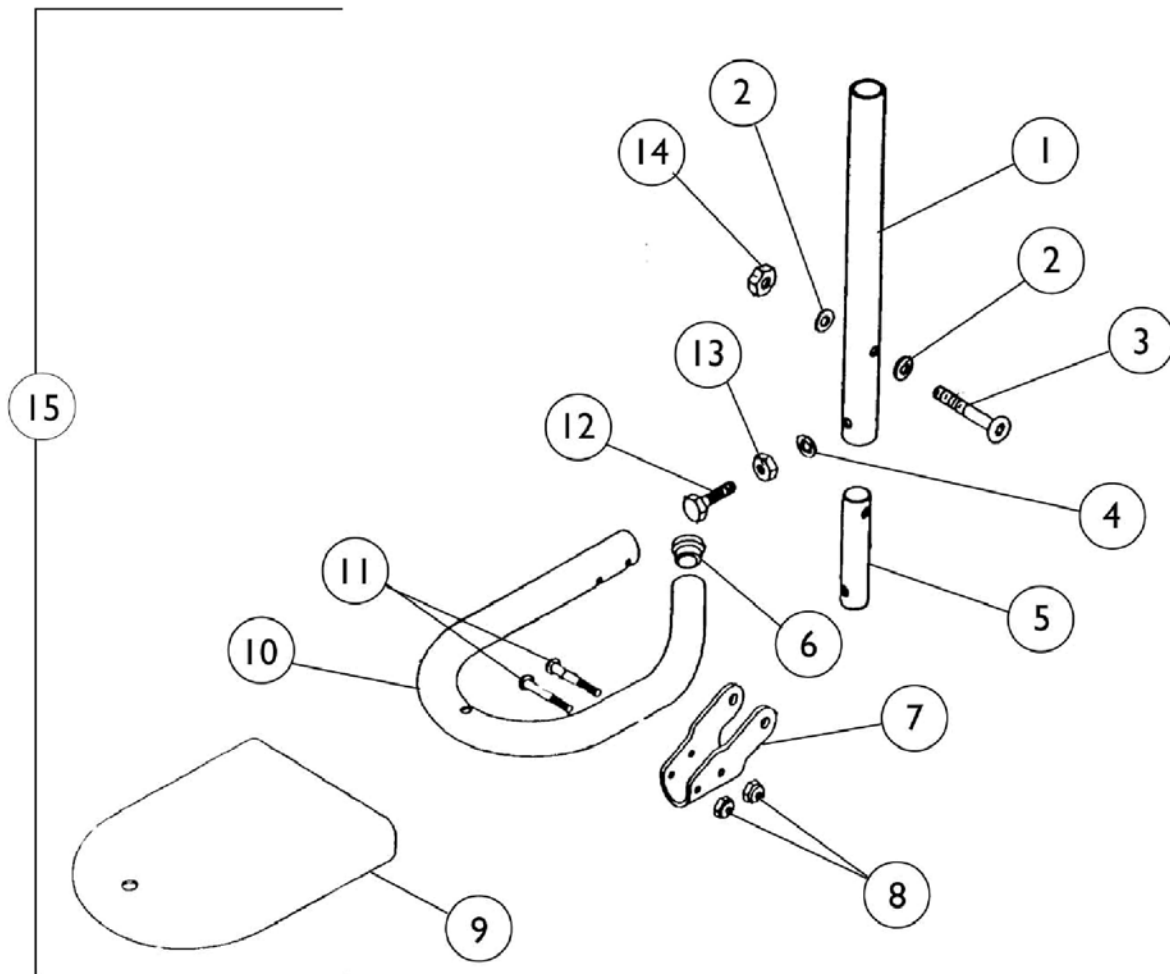
H903, T943A/C/S, T963A/C, SH93ES, SH93E, TH93A Footrest

Pivot Slide Tube and Footplate

Prior Model Number	Current Model Number	Chair Width	Frame Side	Standard	2" Longer	4" Longer
SH93E, T963A - Chrome	SH93E, T963A T943A, TH93A - Chrome	14-22"	Right	1017243-NLA	1086486-NLA	1086487-NLA
SH93E, T963A - Chrome	SH93E, T963A T943A, TH93A - Chrome	14-22"	Left	1017244-NLA	1086488-NLA	1086489-NLA
H903 - Chrome	T943C, TH93C T963C - Chrome	16-22"	Right	1017224-NLA	1086499-NLA	1086501-NLA
H903 - Chrome	T943C, TH93C T963C - Chrome	16-22"	Left	1017225-NLA	1086500-NLA	1086502-NLA
H903 - Black	T943C, TH93C T963C - Black	16-22"	Right	1033059	1086503-NLA	1086504-NLA
H903 - Black	T943C, TH93C T963C - Black	16-22"	Left	1033060	1086505-NLA	1086506-NLA
SH93E, T963A, SH93E - Black	SH93E, T963A, T943A, SH93E, TH93A - Black	14-22"	Right	1035202	1086490-NLA	1086491-NLA
SH93E, T963A, SH93E - Black	SH93E, T963A, T943A, SH93E, TH93A - Black	14-22"	Left	1035203	1086492-NLA	1086493-NLA

Pivot Slide Tube with Tubular Footplate

H903, T943A/C/S, T963A/C/S, TH93A/C/S Footrest



Pivot Slide Tube with Tubular Footplate H903, T943A/C/S, T963A/C/S, TH93A/C/S Footrest

Item Number	Note	Part Number	Description	Quantity Per	
				Package	Assembly
1		1012183-NLA	NLA - Tube, Pivot/Slide, Black	1	1
2		7930357-NLA	NLA - Washer, Nylon (1/4 x 1/2 x 1/32")	25	2
3		1015176-NLA	NLA - Screw, Socket Button Head (1/4-20 x 1-1/4")	1	1
4		10502X001-NLA	NLA - Lockwasher (1/4")	1	1
5	D	1012158-NLA	NLA - Insert, Lower Slide Tube	1	1
6		1027097	Plug Button, Black (3/4")	1	1
7		1012182-NLA	NLA - Bracket, Pivot, Black	1	1
8		7930365-NLA	NLA - Locknut (#10-32)	25	2
9	D	1008552-NLA	NLA - Cover, Footplate - Medium	1	1
9		1008553-NLA	NLA - Cover, Footplate - Large	1	1
10	A	1016294-NLA	NLA - Tube, Footrest (Right/ Left) 14"-15" Wide Chairs	1	1
10	A	1012181-NLA	NLA - Tube, Footrest (Right/ Left) 16"-22" Wide Chairs	1	1
10	A,B	1026404-NLA	NLA - Tube, Footrest, Black - Medium	1	1
10	A,C	1026405-NLA	NLA - Tube, Footrest, Black - Large	1	1
11		1012608-NLA	NLA - Screw, Truss Head (#10-32 x 1-1/8")	1	2
12		16690X000-NLA	NLA - Screw, Hex Head (1/4-20X1)	1	1
13		15108X000	Locknut (1/4-20)	1	1
14		7930364-NLA	NLA - Package, Locknut (1/4-20)	25	1
15		See Chart	Pivot Slide Tube with Footplate	1	1

NOTE: A - Right/Left
 B - For chairs 14 - 15" wide.
 C - For chairs 16 - 22" wide.
 D - Part number is no longer available as a service part individually. See item 15 and order a complete Pivot and Slide Tube with Footplate Assembly.

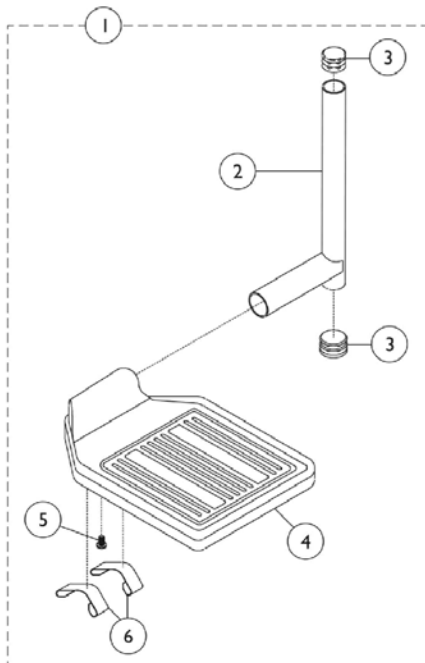
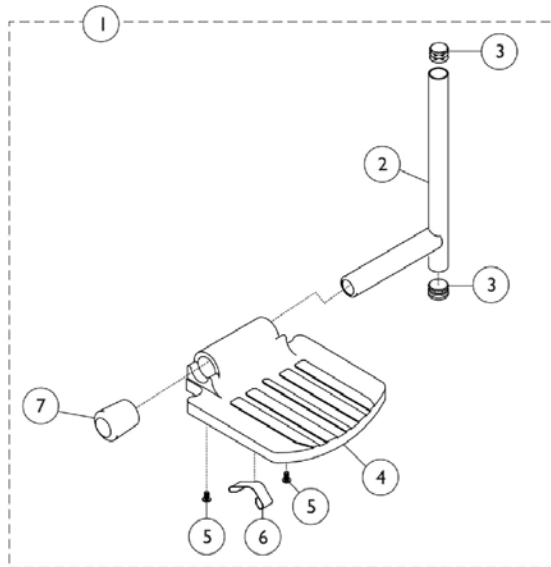
NOTE: Tubular Footrests are painted black and should be ordered in pairs for chairs built before 10/6/00. NOTE: Pivot Slide Tube and Footplate is attached to Footrest Support using a compression clamp welded to the Support Assembly.

Pivot Slide Tube with Footplate

Prior Model Number	Current Model Number	Chair Width	Side	Part Number
H903 Chrome/Black	T943S	14 - 15"	Right	1030752-NLA
H903 Chrome/Black	T943S	14 - 15"	Left	1030753-NLA
H903 Chrome/Black	T943C	16 - 22"	Right	1012263-NLA
H903 Chrome/Black	T943C	16 - 22"	Left	1012264-NLA

Pivot Slide Tube with Footplate

H93E / H93M / H93M WITH FPP - Footrests



Pivot Slide Tube with Footplate H93E / H93M / H93M WITH FPP - Footrests

Item Number	Note	Part Number	Description	Quantity Per	
				Package	Assembly
1	H	See Chart	Pivot Slide Tube with Footplate	1	1
2	A	1041528-NLA	NLA - Pivot/Slide Tube w/ Plug Button, Chrome	1	1
2	B	7500084-NLA	NLA - Pivot/Slide Tube w/ Plug Button, Chrome	1	1
2	C	1041776-NLA	NLA - Pivot/Slide Tube w/ Plug Buttons, Chrome	1	1
2	D	1031691-NLA	NLA - Pivot/Slide Tube w/ Plug Button, Chrome	1	1
3		1027097	Plug Button, Black (3/4")	1	2
4	A,C	44200X059	Footplate, Aluminum, Small, Black (6-3/4" W x 6" L)	1	1
4	B,D	1043659-NLA	NLA - Footplate, Aluminum, Deluxe, Black - Right (8" W x 5-3/4" L)	1	1
4	B,D	1043660-NLA	NLA - Footplate, Aluminum, Deluxe, Black - Left (8" W x 5-3/4" L)	1	1
5	E	1025729	Screw, Phillips Pan Head Tap (#8-32 x 3/8")	1	2
6	F	1006981	Spring, Tension	1	1
6	G	1036120-NLA	NLA - Spring	1	2
7		1027097	Plug Button, Black (3/4")	1	1

NOTE: A - For use on H93E/H93M models with a 14 - 15" chair width.
 B - For use on H93E/H93M models with a 16 - 22" chair width.
 C - For use on H93M with FPP with a 14 - 15" chair width.
 D - For use on H93M with FPP with a 16 - 22" chair width.
 E - Chairs 14-15" wide require (2) screws and chairs 16 - 22" wide require (1) screw.
 F - For use on chairs 14 - 15" wide.
 G - For use on chairs 16-22" wide.
 H - Includes items 2-7.

NOTE: Pivot Slide Tube and Footplate is attached to Footrest Support using a compression clamp welded to the Support Assembly.

Pivot Slide Tube with Footplate

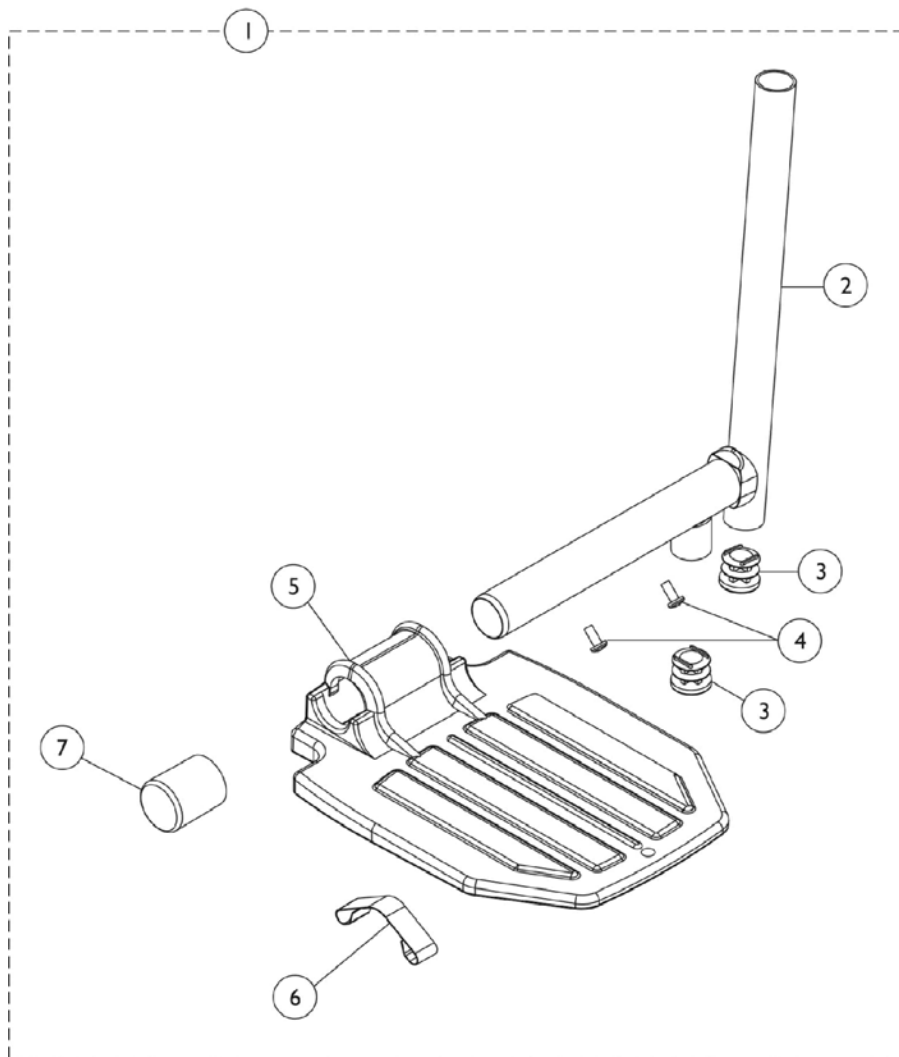
Prior Model Number	Current Model Number	Chair Width	Side	Part Number
H93E, H93M	H93E, H93M - Chrome	14 - 15"	Right	1020232-NLA
H93E, H93M	H93E, H93M - Chrome	14 - 15"	Left	1020233-NLA
H93E, H93M	H93E, H93M - Chrome	16 - 22"	Right	1028905-NLA
H93E, H93M	H93E, H93M - Chrome	16 - 22"	Left	1028906-NLA
H93M with FPP	H93M with FPP - Chrome	14 - 15"	Right	1031936-NLA
H93M with FPP	H93M with FPP - Chrome	14 - 15"	Left	1031937-NLA
H93M with FPP	H93M with FPP - Chrome	16 - 22"	Right	1033381-NLA
H93M with FPP	H93M with FPP - Chrome	16 - 22"	Left	1033382-NLA

Pivot Slide Tube with Footplate

H93E / H93M / H93M WITH FPP - Footrests

Pivot Slide Tube with Footplate

SH904MS, SH904M, H904, T944A/C, TH94A/S Legrest



Pivot Slide Tube with Footplate

SH904MS, SH904M, H904, T944A/C, TH94A/S Legrest

Pivot Slide Tube with Footplate

Item Number	Note	Part Number	Description	Quantity Per	
				Package	Assembly
1	A	See Chart	Pivot Slide Tube with Footplate	1	1
2		7500085-NLA	NLA - Pivot/Slide Tube w/ Plug Button Assembly, Chrome	1	1
2		1100568-NLA	NLA - Pivot/Slide Tube w/ Plug Button, Black	1	1
2		1086447-NLA	NLA - Pivot/Slide Tube w/ Plug Button, Chrome (2" Longer)	1	1
2		1086448-NLA	NLA - Pivot/Slide Tube w/ Plug Button, Black (4" Longer)	1	1
5		44200X059	Footplate, Aluminum, Small, Black (6-3/4" W x 6" L)	1	1
3		1027097	Plug Button, Black (3/4")	1	2
4		7930354-NLA	NLA - Package, Phillips Head Screw (#8-32 x 3/8")	25	2
5		1015178	Footplate, Composite, Black (6" W x 7-53/64" L)	1	1
5		44200X027	Footplate, Aluminum, Medium, Black (7-3/4" W x 6" L)	1	1
5		44200X025	Footplate, Aluminum, Extra Large, Black - Right (8" W x 8-1/2" L)	1	1
5		1002343	Footplate, Aluminum, Extra Large, Black - Right (7" W x 8-1/2" L)	1	1
5		1002344	Footplate, Aluminum, Extra Large, Black - Left (7" W x 8-1/2" L)	1	1
6		1006981	Spring, Tension	1	1
7		1016346	Cap, End, Tube, Black (7/8")	1	1
NOTE: A - Includes items 2-7.					
NOTE: Pivot Slide Tube and Footplate is attached to Legrest Support using a compression clamp welded to the Support Assembly.					

Pivot Slide Tube with Footplate

SH904MS, SH904M, H904, T944A/C, TH94A/S Legrest

Pivot Slide Tube with Footplate

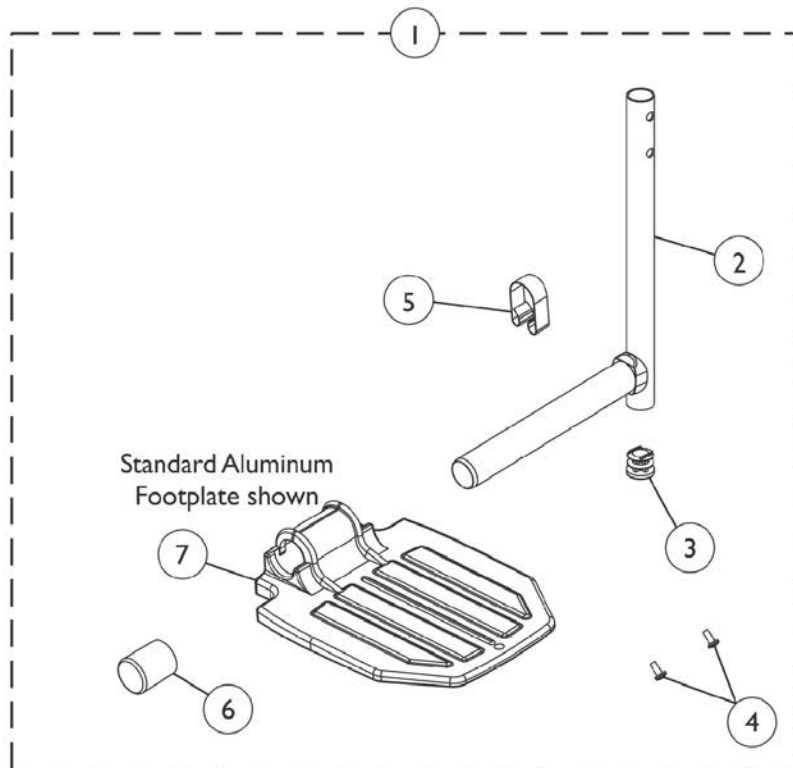
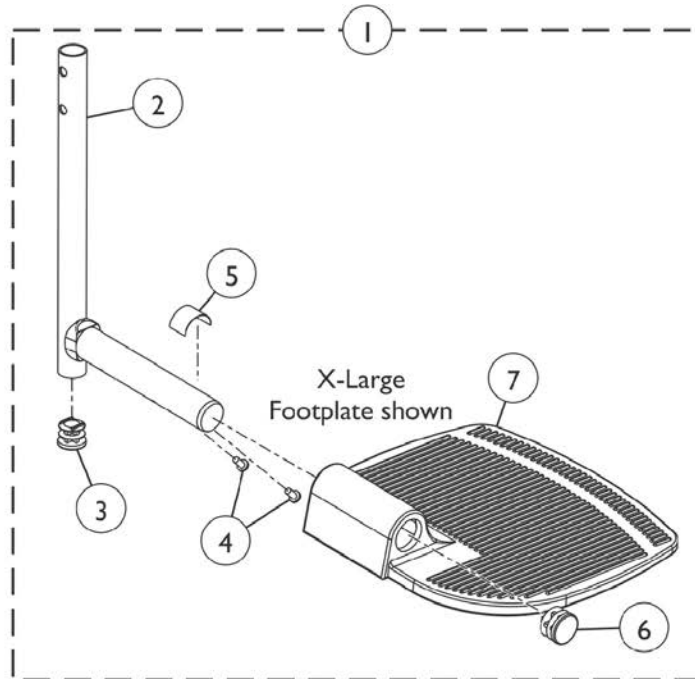
Prior Model Number	Current Model Number	Chair Width	Frame Side	Standard	2" Longer	4" Longer
SH904MS	SH904MS, TH94S Chrome	14 - 15"	Right	1020234-NLA	N/A	N/A
SH904MS	SH904MS, TH94S Chrome	14 - 15"	Left	1020235-NLA	N/A	N/A
SH904M	SH904M	16 - 18"	Right	1017237-NLA	1086525-NLA	1086526-NLA
SH904M	SH904M	16 - 18"	Left	1017238-NLA	1086527-NLA	1086528-NLA
H904	T944S	14 - 15"	Right	1020234-NLA	N/A	N/A
H904	T944S	14 - 15"	Left	1020235-NLA	N/A	N/A
N/A	T944A, TH94A	16 - 22"	Right	1017237-NLA	1086525-NLA	1086526-NLA
N/A	T944A, TH94A	16 - 22"	Left	1017238-NLA	1086527-NLA	1086528-NLA
N/A	TH94A - Black	16 - 22"	Right	1124235	N/A	N/A
N/A	TH94A - Black	16 - 22"	Left	1124236	N/A	N/A
N/A	TH94S - Black	14 - 15"	Right	1124237	N/A	N/A
N/A	TH94S - Black	14 - 15"	Left	1124238	N/A	N/A
H904	T944C, TH94C - Chrome	16 - 22"	Right	1017233-NLA	1086533-NLA	1086535-NLA
H904	T944C, TH94C - Chrome	16 - 22"	Left	1017234-NLA	1086534-NLA	1086536-NLA
N/A	TH94A - Black	16 - 22"	Right	1124239	N/A	N/A
N/A	TH94A - Black	16 - 22"	Left	1124240	N/A	N/A
N/A	SH904MS, H904, T944A/C	14 - 15"	Right	1031932-NLA	N/A	N/A
N/A	SH904MS, H904, T944A/C	14 - 15"	Left	1031933-NLA	N/A	N/A
N/A See Note(s) A	SH904M, H904, T944A/C, TH94A	16 - 22"	Right	1031934-NLA	1086537-NLA	1086539-NLA See Note(s) A
N/A	SH904M, H904, T944A/C, TH94A	16 - 22"	Left	1031935-NLA	1086538-NLA See Note(s) A	1086540-NLA See Note(s) A

NOTE: A - Can only be used with Bolt Thru Footrest (T93HAB/HCB) and Elevating Legrest (T94HAB/HCB).

Pivot Slide Tube with Footplate

GT93H and T93H Series Footrest

NOTE: Pivot Slide Tube and Footplate is attached to Footrest Support using the spring button or bolt thru hardware. See chart titled, "Pivot Slide Tube Attaching Hardware."



Pivot Slide Tube with Footplate GT93H and T93H Series Footrest

NOTE: Pivot Slide Tube and Footplate is attached to Footrest Support using the spring button or bolt thru hardware. See chart titled, "Pivot Slide Tube Attaching Hardware."

Item Number	Note	Part Number	Description	Quantity Per	
				Package	Assembly
1	A	See Chart	Footrest Pivot Slide Tube with Footplate	1	1
2		1111277	Pivot/Slide Tube w/ Plug Button, Footrest, Black	1	1
2		1111278-NLA	NLA - Pivot/Slide Tube w/ Plug Button, Footrest, Chrome	1	1
3		1027097	Plug Button, Black (3/4")	1	1
4		40120X001	Screw, Phillips Pan Head (#8-32 x 3/8")	1	2
5	D	1006981	Spring, Tension	1	1
5	B,E	1036123	Spring, Leaf	1	1
6		1016346	Cap, End, Tube, Black (7/8")	1	1
6	B	1027095	Plug Button, Black (7/8")	1	1
7		1015178	Footplate, Composite, Black (6" W x 7-53/64" L)	1	1
7	F	1192674	Footplate, Composite, Black (6" W x 7-53/64" L)	1	1
7		44200X059	Footplate, Aluminum, Small, Black (6-3/4" W x 6" L)	1	1
7		44200X027	Footplate, Aluminum, Medium, Black (7-3/4" W x 6" L)	1	1
7	B	44200X025	Footplate, Aluminum, Extra Large, Black - Right (8" W x 8-1/2" L)	1	1
7	B	44200X026	Footplate, Aluminum, Extra Large, Black - Left (8" W x 8-1/2" L)	1	1
	C	See Chart	Bolt Through and Spring Button Kits	1	1

NOTE: A - Includes items 2-7.
 B - For use on extra large footplate.
 C - Not Shown.
 D - Use with Standard Footplates.
 E - Use one or more leaf springs per assembly as required such that footplate may be moved by hand to the up-right position and remain in place.
 F - Used for GT93HC model Front Riggings and T93HC model Front Riggings as of 5/16/19.

Pivot Slide Tube with Footplate

GT93H and T93H Series Footrest

NOTE: Pivot Slide Tube and Footplate is attached to Footrest Support using the spring button or bolt thru hardware. See chart titled, "Pivot Slide Tube Attaching Hardware."

Footrest Pivot Slide Tube with Footplate

Model Number	Chair Width	Footplate Style	Frame Side	Part Number
T93HSA T93HA - Black	14-15"	Aluminium	Right	1110361
T93HSA T93HA - Black	14-15"	Aluminium	Left	1110362
T93HSA T93HA - Chrome	14-15"	Aluminium	Right	1110363-NLA
T93HSA T93HA - Chrome	14-15"	Aluminium	Left	1110364-NLA
GT93HA/ T93HA T93HAB Black	16-22"	Aluminium	Right	1111285
GT93HA/ T93HA T93HAB Black	16-22"	Aluminium	Left	1111286
T93HA T93HAB - Black	16-22"	Aluminium	Right	1111287-NLA See Note(s) A
T93HA T93HAB - Black	16-22"	Aluminium	Left	1111288-NLA See Note(s) A
T93HA T93HAB - Chrome	14-15"	Extra Large	Right	1110346-NLA
T93HA T93HAB - Chrome	14-15"	Extra Large	Left	1110347-NLA
T93HA - Black	16-22"	Extra Large	Right	1110344
T93HA - Black	16-22"	Extra Large	Left	1110345
T93HC T93HCB - Black	16-22"	Composite	Right	1111289
T93HC T93HCB - Black	16-22"	Composite	Left	1111290
GT93HC - Black	16-22"	Composite	Right	1194329
GT93HC - Black	16-22"	Composite	Left	1194330
T93HC T93HCB - Chrome	16-22"	Composite	Right	1194329
T93HC T93HCB - Chrome	16-22"	Composite	Left	1194329

NOTE: A - NOTE: Part numbers 1111287 and 1111288 changed from Chrome Pivot/Slide Tube to Black as of 5/16/19

NOTE: 2" and 4" Longer Pivot Slide Tube with Footplate Assembly is not available.

Pivot Slide Tube with Footplate GT93H and T93H Series Footrest

NOTE: Pivot Slide Tube and Footplate is attached to Footrest Support using the spring button or bolt thru hardware. See chart titled, "Pivot Slide Tube Attaching Hardware."

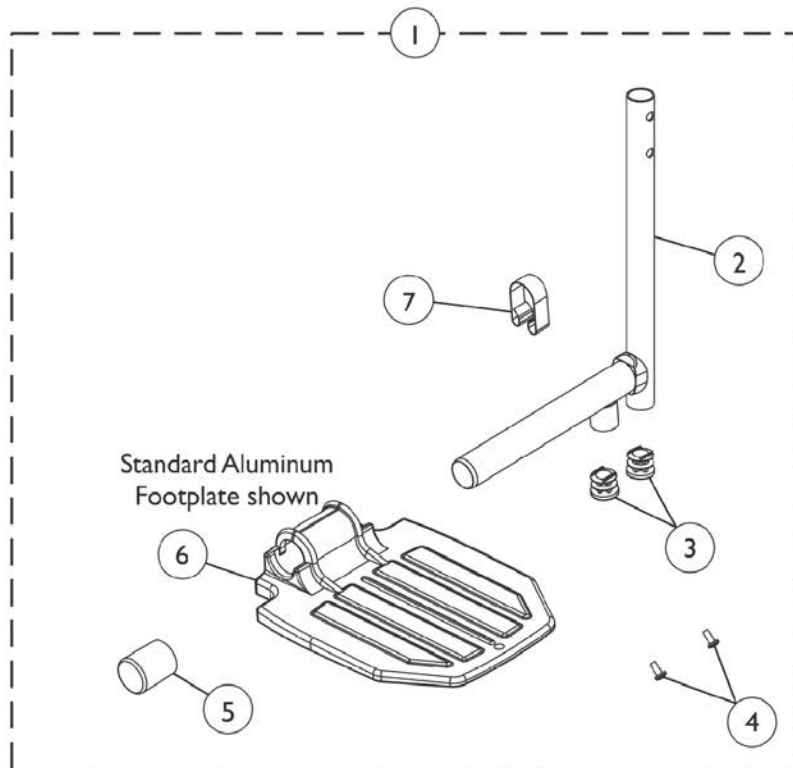
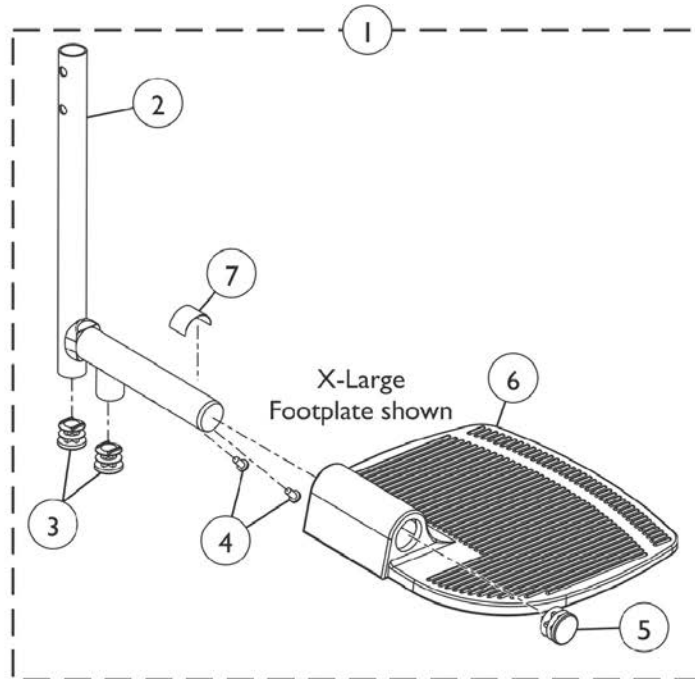
Bolt Through and Spring Button Kits

Style	Part Number	Quantity per Package	Quantity Per Footrest	Quantity Per Legrest
Spring Button Hardware Kit	1188335 See Note(s) A	2	2	4
Bolt Through Hardware Kit	1101776 See Note(s) A	2	2	2
Tool Kit	1058407 See Note(s) B	1	N/A	N/A
NOTE: A - Kit includes 2 ea. Double Spring Buttons B - Kit includes allen wrench, key, and open end wrench. The Bolt Thru Hardware uses the Tool Kit for installation.				

Pivot Slide Tube with Footplate

GT94H and T94H Series Legrest

NOTE: Pivot Slide Tube and Footplate is attached to Footrest Support using the spring button or bolt thru hardware. See chart titled, "Pivot Slide Tube Attaching Hardware."



Pivot Slide Tube with Footplate GT94H and T94H Series Legrest

NOTE: Pivot Slide Tube and Footplate is attached to Footrest Support using the spring button or bolt thru hardware. See chart titled, "Pivot Slide Tube Attaching Hardware."

Item Number	Note	Part Number	Description	Quantity Per	
				Package	Assembly
1	A	See Chart	Legrest Pivot Slide Tube with Footplate	1	1
2		1110301	Pivot/Slide Tube w/ Plug Button, Legrest, Black	1	1
2		1110300-NLA	NLA - Pivot/Slide Tube w/ Plug Button, Legrest, Chrome	1	1
3		1027097	Plug Button, Black (3/4")	2	2
4		40120X001	Screw, Phillips Pan Head (#8-32 x 3/8")	2	2
5		1016346	Cap, End, Tube, Black (7/8")	1	1
5	B	1027095	Plug Button, Black (7/8")	1	1
6		1015178	Footplate, Composite, Black (6" W x 7-53/64" L)	1	1
6	F	1192674	Footplate, Composite, Black (6" W x 7-53/64" L)	1	1
6		44200X059	Footplate, Aluminum, Small, Black (6-3/4" W x 6" L)	1	1
6		44200X027	Footplate, Aluminum, Medium, Black (7-3/4" W x 6" L)	1	1
6	B	44200X025	Footplate, Aluminum, Extra Large, Black - Right (8" W x 8-1/2" L)	1	1
6	B	44200X026	Footplate, Aluminum, Extra Large, Black - Left (8" W x 8-1/2" L)	1	1
7	D	1006981	Spring, Tension	1	1
7	B,E	1036123	Spring, Leaf	1	1
	C	See Chart	Bolt Through and Spring Button Kits	1	1

NOTE: A - Includes items 2-7.
 B - For use on extra large footplate assembly.
 C - Not Shown.
 D - Use with Standard Footplates.
 E - Use one or more leaf springs per assembly as required such that footplate may be moved by hand to the up-right position and remain in place.
 F - Used for GT94HC model Front Riggings and T94HC model Front Riggings as of 5/16/19.

Pivot Slide Tube with Footplate

GT94H and T94H Series Legrest

NOTE: Pivot Slide Tube and Footplate is attached to Footrest Support using the spring button or bolt thru hardware. See chart titled, "Pivot Slide Tube Attaching Hardware."

Legrest Pivot Slide Tube with Footplate

Current Model Number	Chair Width	Footplate Style	Frame Side	Part Number
GT94HA/T94HA/T94HAB - Black	16-22"	Aluminum	Right	1110315
GT94HA/T94HA/T94HAB - Black	16-22"	Aluminum	Left	1110316
T94HA/T94HAB - Chrome	16-22"	Aluminum	Right	1110317-NLA
T94HA/T94HAB - Chrome	16-22"	Aluminum	Left	1110318-NLA
GT94HA/T94HA/T94HAB - Black	16-22"	Extra Large	Right	1110348
GT94HA/T94HA/T94HAB - Black	16-22"	Extra Large	Left	1110349
T94HA - Chrome	16-22"	Extra Large	Right	1110350-NLA
T94HA - Chrome	16-22"	Extra Large	Left	1110351-NLA
T94HS/T94HSB - Black	14-15"	Aluminum	Right	1110365
T94HS/T94HSB - Black	14-15"	Aluminum	Left	1110366
T94HS/T94HSB - Chrome	14-15"	Aluminum	Right	1110367-NLA
T94HS/T94HSB - Chrome	14-15"	Aluminum	Left	1110368-NLA
GT94HC/T94HC/T94HCB - Black	16-22"	Composite	Right	1110311
GT94HC/T94HC/T94HCB - Black	16-22"	Composite	Left	1110312
T94HC/T94HCB - Chrome	16-22"	Composite	Right	1110313-NLA
T94HC/T94HCB - Chrome	16-22"	Composite	Left	1110314-NLA

NOTE: 2" and 4" Longer Pivot Slide Tube with Footplate Assembly is not available.

Pivot Slide Tube with Footplate GT94H and T94H Series Legrest

NOTE: Pivot Slide Tube and Footplate is attached to Footrest Support using the spring button or bolt thru hardware. See chart titled, "Pivot Slide Tube Attaching Hardware."

Bolt Through and Spring Button Kits

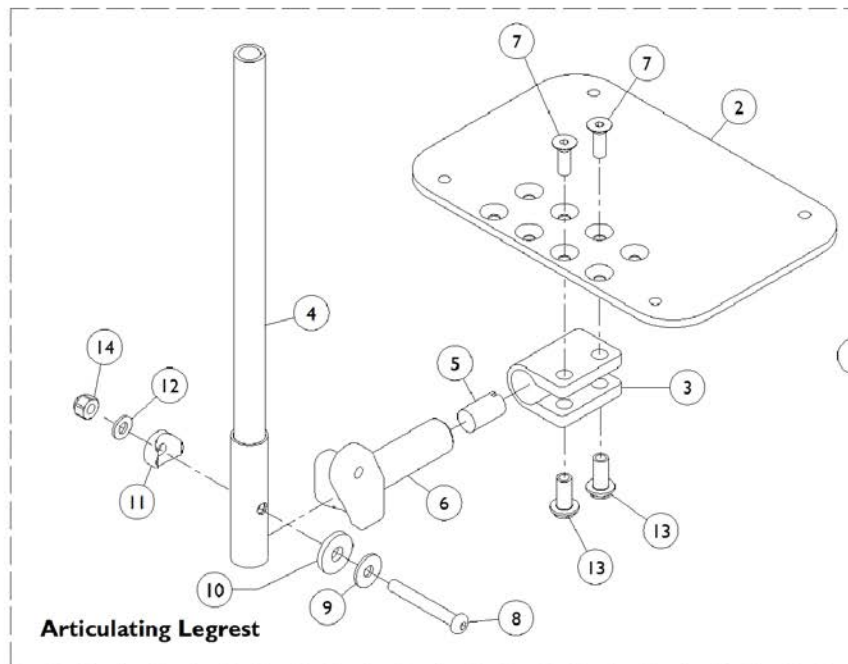
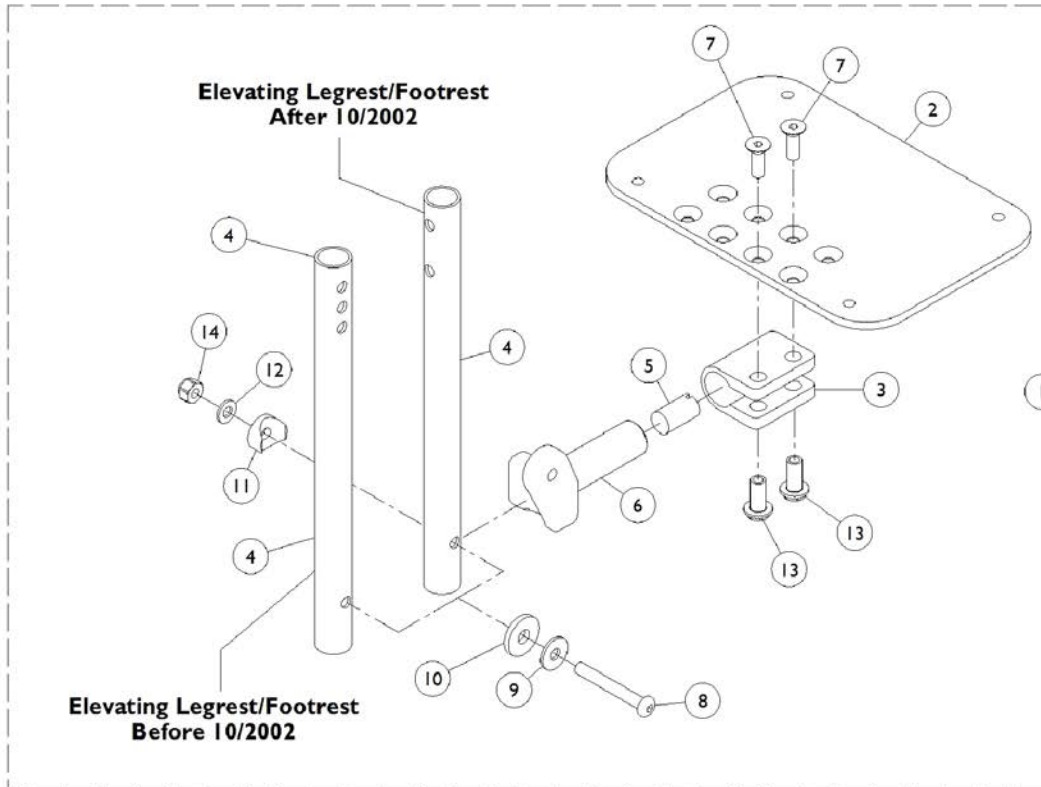
Style	Part Number	Quantity Per Package	Quantity Per Footrest	Quantity Per Legrest
Spring Button Hardware Kit	1188335 See Note(s) A	2	2	4
Bolt Through Hardware Kit	1101776 See Note(s) A	2	2	2
Tool Kit	1058407 See Note(s) B	1	N/A	N/A

NOTE: A - Kit includes 2 ea. Double Spring Buttons
B - Kit includes allen wrench, key, and open end wrench. The Bolt Thru Hardware uses the Tool Kit for installation.

Adjustable Angle Footplate Assemblies - AT5543

9000XT/XDT/Recliner

NOTE: Slide Tube with Adjustable Footplate is attached to Legrest/Footrest support using the spring button or bolt thru hardware. See chart titled, "Pivot Slide Tube Attaching Hardware."



Adjustable Angle Footplate Assemblies - AT5543

9000XT/XDT/Recliner

NOTE: Slide Tube with Adjustable Footplate is attached to Legrest/Footrest support using the spring button or bolt thru hardware. See chart titled, "Pivot Slide Tube Attaching Hardware."

9000XT/9000XDT/9000XT Recliner

Item Number	Note	Part Number	Description	Quantity Per	
				Package	Assembly
1	G	See Chart	Adjustable Angle Footplate Assembly - AHS4 - AHL4 Articulating Legrests only	1	1
1	G	See Chart	Adjustable Angle Footplate Assembly - Elevating Legrest/Footrest	1	1
2	A,H	1113573	Footplate, Adjustable Angle, Large, Black (5-1/4" W x 8" L)	1	1
2	B,H	1113574	Footplate, Adjustable Angle, Extra Large, Black (6-1/4" W x 8" L)	1	1
2	C,H	1113575	Footplate, Adjustable Angle, XX- Large, Black (7-1/4" W x 8" L)	1	1
3		1058517	Clamp, Footplate	1	1
4	D	1057855	Tube, Pivot and Slide, Straight, Steel, Black (9-7/8" L)	1	1
4	D,I	1110352-NLA	NLA - Pivot/Slide Tube, Straight, Black	1	1
4	E	1091745-NLA	NLA - Tube, Pivot/Slide, Straight, Steel, Chrome (13-7/8" L)	1	1
5		1048816	Screw, Nylon Adjustment (1/2-13 x 7/8")	1	1
6		1052103	Hinge, Footplate - Left	1	1
6		1052102	Hinge, Footplate - Right	1	1
7		1029545	Screw, Socket Flat Head (1/4-20 x 3/4")	1	2
8		1022831	Screw, Socket Button Head (1/4-20 x 1-7/8")	1	1
9		1026900	Washer (1/4 x 23/32 x 1/16")	1	1
10		1016301	Washer, Nylon (5/16 x 7/8 x 1/8")	1	1
11		1025457	Spacer, Coved (1/4 x 3/4 x 11/32")	1	1
12		1026907	Washer (1/4 x 1/2 x 1/16")	1	1
13		1082686	Nut, Barrel, Hex Head (1/4-20 x 11/16")	1	2
14		1025736	Locknut (1/4-20)	1	1
	F	See Chart	Bolt Through and Spring Button Kits	1	1

NOTE: A - For 14 - 15" wide chairs.
 B - For 16 - 19" wide chairs.
 C - For 20 - 22" wide chairs.
 D - For Elevating Legrest/Footrest.
 E - For Articulating Legrest.
 F - Not Shown.
 G - Includes items 2 thru 14.
 H - This footplate was revised 9/2/2008 with rounder corners and accessory holes changed from 8 to 4. Recommended to replace footplate in pairs to match sides.
 I - After 10/2002, no longer available use item #1 as a replacement.

#1 Adjustable Angle Footplate Assembly

AHS4 - AHL4 Articulating Legrests only

Straight Sliding Tube (13-7/8") Steel	Side	Part Number
14" - 15" Wide (5-1/4" Footplate)	Right	1091775-NLA

Adjustable Angle Footplate Assemblies - AT5543

9000XT/XDT/Recliner

NOTE: Slide Tube with Adjustable Footplate is attached to Legrest/Footrest support using the spring button or bolt thru hardware. See chart titled, "Pivot Slide Tube Attaching Hardware."

#1 Adjustable Angle Footplate Assembly

AHS4 - AHL4 Articulating Legrests only

Straight Sliding Tube (13-7/8") Steel	Side	Part Number
14" - 15" Wide (5-1/4" Footplate)	Left	1091776-NLA
16" - 19" Wide (6-1/4" Footplate)	Right	1091777-NLA
16" - 19" Wide (6-1/4" Footplate)	Left	1091778-NLA
20" - 22" Wide (7-1/4" Footplate)	Right	1091779-NLA
20" - 22" Wide (7-1/4" Footplate)	Left	1091780-NLA

NOTE: Heel Loops for Adjustable Angle Footplates can be found in the category titled, "Footrest and Legrest Accessories."

#1 Adjustable Angle Footplate Assembly

Elevating Legrest/Footrest

Straight Slide Tube (9-7/8") Steel	Side	Part Number
14" - 15" Wide (5-1/4" Footplate)	Right	1060444
14" - 15" Wide (5-1/4" Footplate)	Left	1060445
16" - 19" Wide (6-1/4" Footplate)	Right	1062756
16" - 19" Wide (6-1/4" Footplate)	Left	1062757
20" - 22" Wide (7-1/4" Footplate)	Right	1091789-NLA
20" - 22" Wide (7-1/4" Footplate)	Left	1091790-NLA
14" - 15" Wide (5-1/4" Footplate)	Right	1110355
		See Note(s) A
14" - 15" Wide (5-1/4" Footplate)	Left	1110356
		See Note(s) A
16" - 19" Wide (6-1/4" Footplate)	Right	1110357
		See Note(s) A
16" - 19" Wide (6-1/4" Footplate)	Left	1110358
		See Note(s) A
20" - 22" Wide (7-1/4" Footplate)	Right	1110359
		See Note(s) A
20" - 22" Wide (7-1/4" Footplate)	Left	1110360
		See Note(s) A

NOTE: A - After 10/02

NOTE: Heel Loops for Adjustable Angle Footplates can be found in the category titled, "Footrest and Legrest Accessories."

Adjustable Angle Footplate Assemblies - AT5543

9000XT/XDT/Recliner

NOTE: Slide Tube with Adjustable Footplate is attached to Legrest/Footrest support using the spring button or bolt thru hardware. See chart titled, "Pivot Slide Tube Attaching Hardware."

Bolt Through and Spring Button Kits

Not Used for AHS4 - AHL4 Articulating Legrests

Style	Part Number	Quantity Per Package	Quantity Per Footrest	Quantity Per Legrest
Spring Button Hardware Kit	1188335 See Note(s) A	2	2	4
Bolt Through Hardware Kit	1101776 See Note(s) A	2	2	2
Tool Kit	1058407 See Note(s) B	1	N/A	N/A
NOTE: A - Kit includes 2 ea. Double Spring Buttons. B - Kit includes allen wrench, key, and open end wrench. The Bolt Thru Hardware uses the Tool Kit for installation.				

Footrest and Legrest Accessories

Legrest Panel with Hook & Loop

Part Number	Description	Quantity Per Package
8881006725-NLA See Note(s) A	Footrest Support Panel See Note(s) B	1
8881006726 See Note(s) A	Footrest Support Panel See Note(s) C	1
8881006727-NLA See Note(s) A	Footrest Support Panel See Note(s) D	1
8881035816-NLA See Note(s) A	Legrest Support Panel See Note(s) B	1
8881035817-NLA See Note(s) A	Legrest Support Panel See Note(s) C	1
8881035818-NLA See Note(s) A	Legrest Support Panel See Note(s) D	1

NOTE: A - Specify upholstery colors, see page titled "Frame Finishes, Upholstery Colors and Packaging".
 B - 14-16" Wide Chairs
 C - 17-19" Wide Chairs
 D - 20-24" Wide Chairs

Heel Loops / Toe Loops

Part Number	Description	Quantity Per Package
1035906 See Note(s) A	Heel Loops with Ankle Straps w/o Hardware	2
1035918 See Note(s) B	Heel Loops with Ankle Straps w/o Hardware	2
1035905 See Note(s) A	Heel Loops without Hardware	2
1035917-NLA See Note(s) B	Heel Loops without Hardware	2
1035926 See Note(s) F	Attaching Hardware, Heel Loop	2
1035927 See Note(s) G	Attaching Hardware, Heel Loop	2

Footrest and Legrest Accessories

Heel Loops / Toe Loops

Part Number	Description	Quantity Per Package
1160724 See Note(s) H, D	Heel Loop with Ankle Strap & Hardware	2
1091709-NLA See Note(s) H, E	Heel Loop with Ankle Strap & Hardware	2
1160723 See Note(s) H, D	Heel Loop with Hardware	2
1160725 See Note(s) H, E	Heel Loop with Hardware	2
1037087	Toe Loop without Hardware	2
1037088 See Note(s) F	Toe Loop Attaching Hardware	2
1037090 See Note(s) G	Toe Loop Attaching Hardware	2
NOTE: A - 14-15" Wide Chairs B - 16-22" Wide Chairs D - 14-19" Wide Chairs E - 20-22" Wide Chairs F - Aluminum & Plastic Coated Footplates G - Composite Footplates H - Used with AT5543 Articulating Legrest/Elevating Legrest/Footrest		

Footrest and Legrest Accessories

Miscellaneous Accessories

Part Number	Description	Quantity Per Package
1035902 See Note(s) D	Calf Strap with Hook & Loop	2
1096781	Hinge Pin Replacement Hardware	1
1143050	Non-Removable Device	1
44200X042-NLA	Plastic Coated Footplate	1
1026987 See Note(s) E	Impact Guards	1
1032003 See Note(s) A	H-Strap	2
1032002 See Note(s) B	H-Strap	2
1032001 See Note(s) C	H-Strap	2
NOTE: A - 14-15" Wide Chairs B - 16-18" Wide Chairs C - 19-22" Wide Chairs D - All Widths E - For 70 deg. Tapered Footrest.		

Invacare Corporation

www.invacare.com



One Invacare Way
Elyria, Oh USA
44036-2125
800-333-6900

Technical Support
800-832-4707
Florida Technical Support
407-321-5630

Customer Service
800-333-6900

© 2022 Invacare Corporation. All rights reserved. Republication, duplication or modification in whole or in part is prohibited without prior written permission from Invacare. Trademarks are identified by ™ and ®. All trademarks are owned by or licensed to Invacare Corporation or its subsidiaries unless otherwise noted. (Revised 07/26/22)

Form No. 95-137