

Discontinued
Patient Transport
Lifts and Slings



PARTS CATALOG USAGE GUIDE

The information contained in this document is subject to change without notice. This catalog contains service parts for Discontinued Patient Transport products. If you have any questions regarding these models please contact one of our Customer Service representatives.

For Customer Service Support Call: 1-800-333-6900
For Faxed in Orders Call: 1-800-678-4682 or 1-440-366-0709
For Technical Service Call: 1-800-832-4707
Literature Can Be Found at: 1-800-828-6282 or www.invacare.com

This parts catalog is set up to identify the complete product, the outside replacement parts, and the internal replacement parts.

SYMBOL DEFINITION

Throughout this catalog you will notice symbols to draw your attention to specific footnotes which are located at the bottom of the page or below specified charts.

Examples:

- ◆, ★ = Special Comments
- NOTE: = General information pertaining to that specific page
- NLA = No Longer Available

HARDWARE MEASUREMENTS

The measurements for the hardware will be listed as follows:

- Screws, Bolts Diameter X Thread Count X Length
- Washers Inside Diameter X Outside Diameter X Thickness
- Spacers Inside Diameter X Outside Diameter X Length
- Covers Width X Length

QUANTITY COLUMNS

You will see two categories for quantity. The first category, Package Quantity represents how many pieces you will receive per that part number. The second category, Assembly Quantity, reflects how many pieces are required for the assembly shown.

Item Number	Part Number	Description	Quantity Per	
			Package	Assembly
1	1008432	Screw, Button Head (1/4-20 x 1-1/4")	1	8

For your convenience, we have supplied an area for you to list your Invacare Representatives.

<i>Sales Representative's Name</i>	<i>Phone Number</i>

NOTE: *The information contained in this document is subject to change without notice.*

TABLE OF CONTENTS

Update 6/00A

	Page Number
<u>Bases</u>	
RPS350	8,9
RHA/RHL450 and RPA/RPL450	10,11
RPA600	16
9885, 9886	18,19
<u>Booms and Masts</u>	
RPS350	7
RHA/RHL450 and RPA/RPL450	12
RPA/RPL450	12
RPA600	14
9800 Mast Assembly	25
9816 Mast Assembly	32
<u>Casters</u>	
Caster and Leg Reference Chart for 9901 and 9902	24
<u>Horn Assembly</u>	
RPS350 (Horn Assembly)	6
<u>Lifts</u>	
RPS350 Stand-Up	6, 8-9
RHA/RHL/RPA/RPL 450	10-13
RPA 600 Heavy Duty	14-17
9700, 9701	20
9901, 9902	22-23
9903	26,27
9911 and 9912 Electric	28
9916	29
9917	30,31
<u>Mast and Booms</u>	
RPS350	7
RHA/RHL450 and RPA/RPL450	12
RPA/RPL450	12
RPA600	14
9800 Mast Assembly	25
9816 Mast Assembly	32
<u>Pumps</u>	
9099 and 9099R	27A-27D
<u>Packaging and Literature</u>	
Books and Videos	5
Packaging and Literature	5
Touch-up Paint	5

PACKAGING and LITERATURE

Model	Cartons	Inserts	Instructions
Lifts RPS350 Reliant Stand-Up	N/A	N/A	1073516
RHA450, RHL450, RPA450, RPL450	1073534 Top 1073535 Bottom 1073541 1 pc. 1073905 1 pc.	1073537 1 pc. 1073538 1 pc.	1068190
RPA600 Reliant Heavy Duty	1073534 Top 1073535 Bottom 1073541 1 pc. 1073905 1 pc.	1073537 2 pcs. 1073538 1 pc.	1068190
Masts 9800A - Hydraulic Mast	1060009	1060008 1 pc. 1060007 2 pcs.	1024492
9816 - Screw Mast	1039423 NLA	N/A	N/A
Bases 9885 - Offset Base	1043369	1043366 1pc. 1043367 1pc. 1043368 1pc.	N/A
9886 - "C" Base	1043369	1043366 1pc. 1043368 1pc.	N/A
Pumps 9099 - Hydraulic Pump	40131X081	N/A	1049388
Casters 9935R - 5" Locking Optional	40131X011	N/A	1067289 NLA
Slings 9040, 9742 - Mesh Wrap Around 9046 - Mesh 9746 - Mesh 9747 - Mesh with Commode	40131X011	N/A	1023891

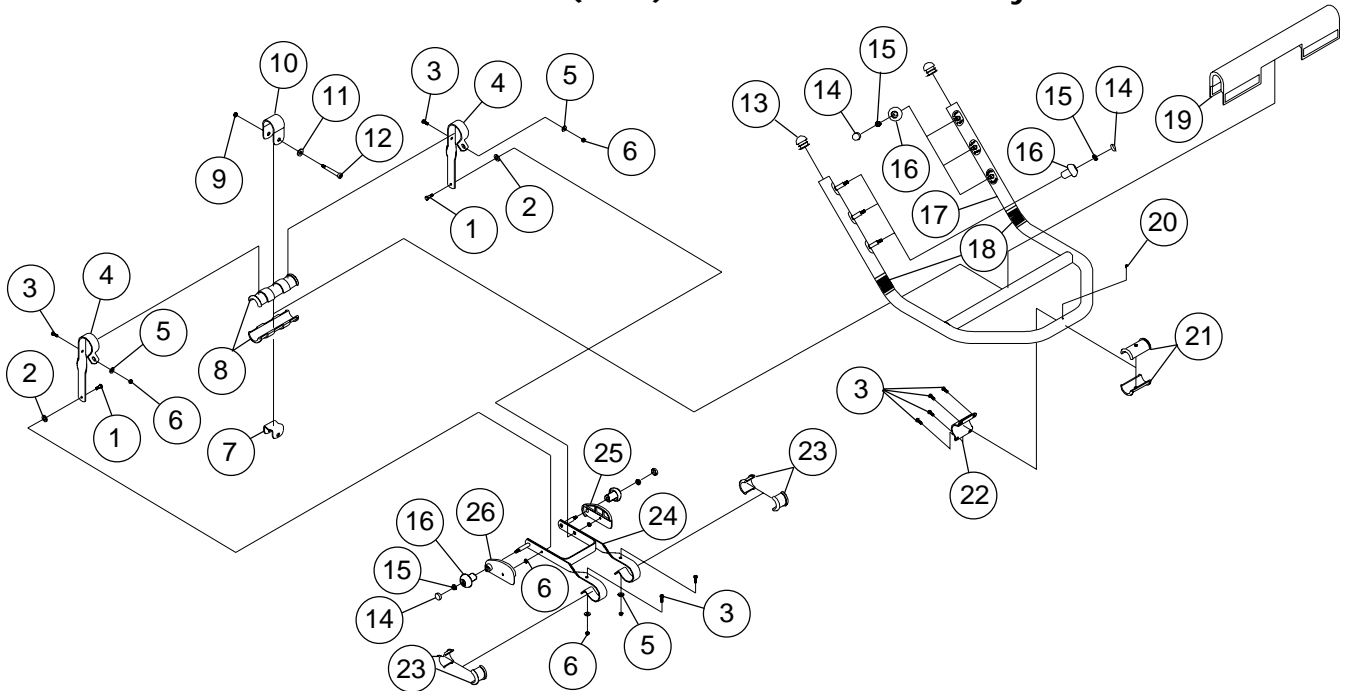
Item Number	Part Number	Description	Quantity Per	
			Package	Assembly
not shown	1075222	Reliant Touch-up Paint, Isolet Gray	1	1
not shown	1090514	Miscellaneous Book/Video, Injury Prevention Program (Includes Videos: Standing with Ease and Lifting with Ease)	1	1
	1090823	Video, Lifting with Ease	1	1
	1090824	Video, Standing with Ease	1	1

NOTE: When adjusting or replacing parts please refer to your owners manual for assistance.

HORN ASSEMBLY

used on the RPS350

Discontinued (2/99) - Service Parts Only



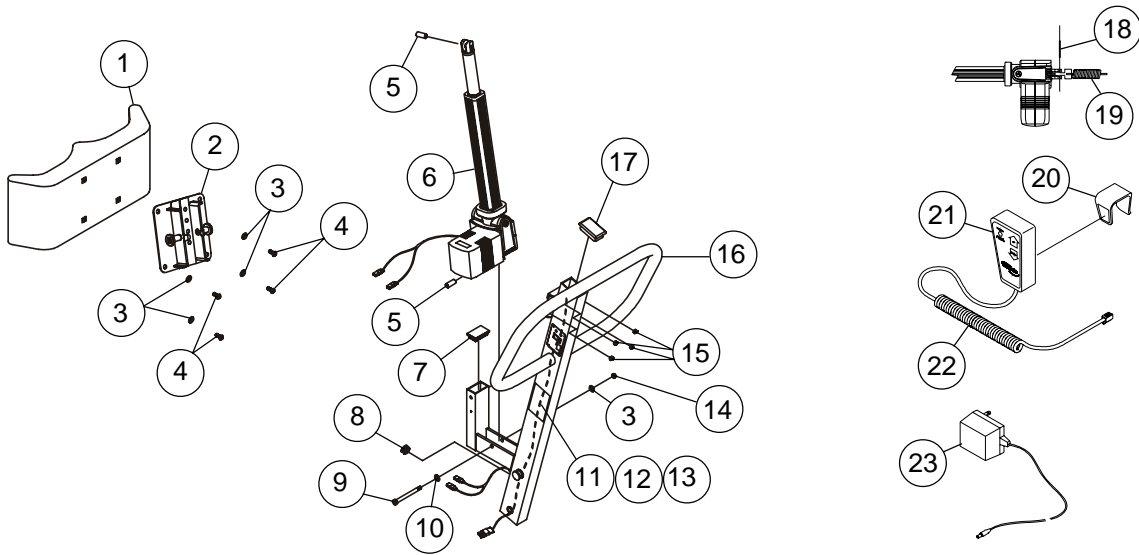
Item Number	Part Number	Description	Quantity Per	
			Package	Assembly
1	1009838	Screw, Hex Head, (1/4-28 x 3/4")	1	2
2	1049527	Washer, Nylon, (3/8 x 3/4 x 1/16")	1	2
3	1007269	Screw, Button Head, (1/4-20 x 5/8")	1	8
4	1071835	Bracket, Linkage	1	2
5	20105X000	Washer, (9/32 x 5/8 x 5/64")	1	4
6	1025195	Locknut, (1/4-20")	1	6
7	1071833	Bracket, Drive	1	1
8	1070180	Bushing, Drive	1	2
9	1064267	Locknut, Nylon Head, (5/16-18")	1	1
10	1071832	Bracket, Drive	1	1
11	1069548	Washer, (7/16 x 13/16 x 1/8")	1	1
12	1064455	Screw, Shoulder, (3/8 x 1-3/4")	1	1
13	1071249	Plug, Ball	1	2
14	1070902	Cap, Hook	1	8
15	1028769	Locknut, (5/16-18")	1	8
16	1070177	Knob, Hook	1	8
17	1071091	Horn Weldment	1	1
18	1076388	Grip Pad	1	2
19	1070969	Upholstery, Bar Pad	1	1
20	12642X000	Screw, Pan Head, (8-18 x 5/8")	1	1
21	1070175	Bushing, Horn	1	2
22	1071834	Bracket, Horn	1	1
23	1070176	Bushing, Handle	1	4
24	1071154	Weldment, Linkage	1	1
25	1071830	Spacer, Guard, Right	1	1
26	1071831	Spacer, Guard, Left	1	1

MAST ASSEMBLY

Update 05/03A

used on the RPS350

Discontinued (2/99) - Service Parts Only

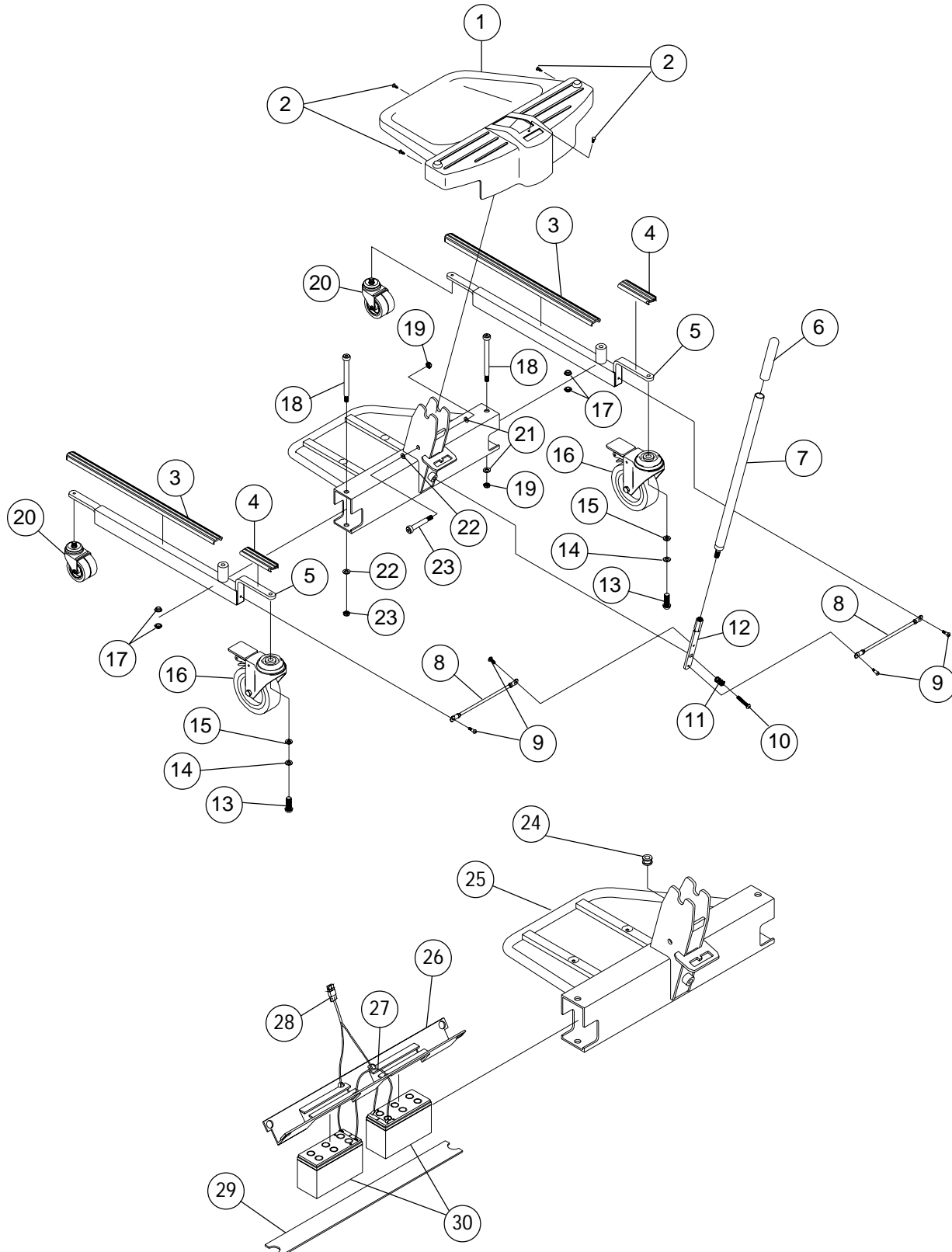


Item Number	Part Number	Description	Quantity Per	
			Package	Assembly
1	1070803	Pad, Knee	1	1
2	1097071	Weldment, Knee Rest	1	1
3	1025704	Washer, (21/64 x 5/8 x 3/64")	1	5
4	1071955	Screw, Button Head, Shoulder, (5/16-18 x 3/4")	1	4
5	1064443	Bushing, (3/8 x 15/32 x 1-3/32")	1	2
6	1070894	Actuator	1	1
7	1065360	End Cap, (1-1/4 x 2")	1	1
8	1064141	Grommet	1	1
9	1064455	Screw, Shoulder, (3/8 x 1-3/4")	1	1
10	1065214	Washer, Flat, (25/64 x 11/16 x 3/64")	1	1
11	1065169	Switch, Rocker with Connector	1	1
12	1065170	Panel, Control	1	1
13	1065171	PC Board	1	1
14	1064267	Locknut ,(5/16-18")	1	1
15	1025195	Locknut, (1/4 -20")	1	4
16	1071245	Mast, Weldment	1	1
17	1065361	End Cap, (1-1/2 x 2-1/2")	1	1
18	1075346	Pin, (1 x 1/4")	1	1
19	1040333	Spring	1	1
20	1067735	Clip, Controller	1	1
21	1065173	Switch Pendant	1	1
22	1065172	Cord, Pendant	1	1
23	1065174	Adaptor, AC	1	1
not shown	1073705	Decal, Lift, RPS350	1	2
not shown	1073699	Decal, Warning, USA	1	1
not shown	1079655	Decal, Warning, EUR	1	1
not shown	1073700NLA	Decal, Operating/Charge	1	1

BASE ASSEMBLY

used on the RPS350

Discontinued (2/99) - Service Parts Only



BASE ASSEMBLY

Update 6/00A

used on the RPS350

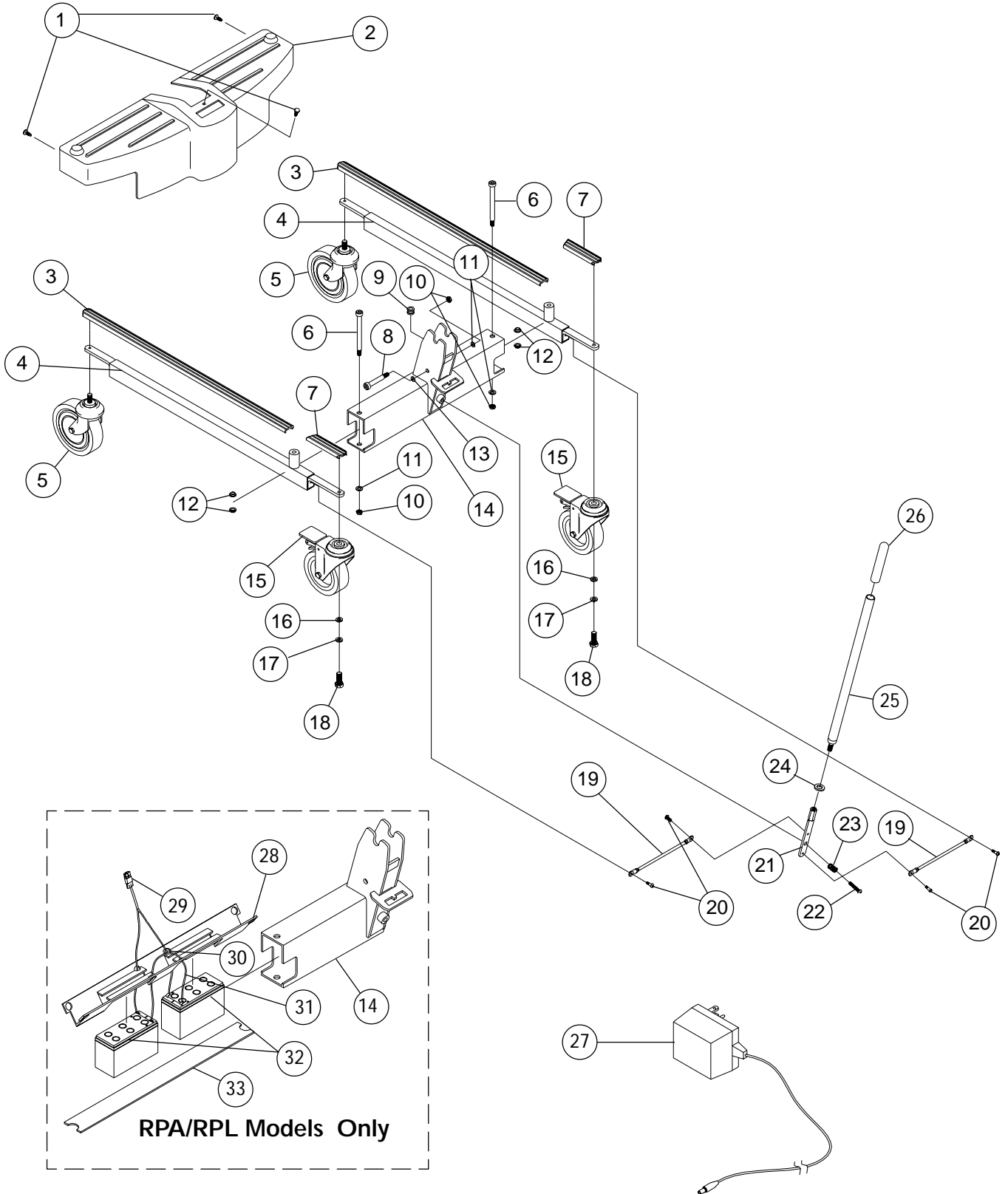
Discontinued (2/99) - Service Parts Only

Item Number	Part Number	Description	Quantity Per	
			Package	Assembly
1	1070867	Shroud, Footrest	1	1
2	1023632	Clip, Shroud	1	4
3	1071362	Leg Cover, Front	1	2
4		Leg Cover, Rear		
	1073195	Before 6/5/00	1	2
	1079137	After 6/4/00	1	2
5	1071151	Leg, Weldment	1	2
6	1032246	Grip, Handle	1	1
7	◆1062986NLA	Handle, (7/8 x 1/16")	1	1
8	1065152	Assembly, Tie Rod	1	2
9	1065215	Screw, Button Head, (5/16-18 x 3/4")	1	4
10	1029134	Screw, Shoulder, (1/2 x 1-1/4")	1	1
11	1064122	Spring	1	1
12	◆1063894NLA	Bracket, Handle	1	1
13	1073884	Screw, Hex Head Cap, (1/2-13 x 1-1/4")	1	2
14	1014371	Lockwasher, (1/2")	1	2
15	1073885	Washer, Flat, (1/2 x 15/16 x 1/8")	1	2
16	1024366	Caster, Swivel, Rear, (5") with Lock	1	2
17	1062419	Bushing, Flanged	1	4
18	1062424	Screw, Shoulder, (1/2 x 5")	1	2
19	1065216	Locknut, (3/8-16")	1	3
20	1070959	Caster, Swivel Front, (3")	1	2
21	1065214	Washer, Flat, (25/64 x 11/16 x 3/64")	1	3
22	1026174	Washer, (1/2 x 7/8 x 3/64")	1	1
23	1062423	Screw, Shoulder, (1/2 x 2-1/4")	1	1
24	1064141	Grommet	1	1
25	1070896	Support, Cross	1	1
26	1064142	Battery Tray, Top	1	1
27	1068688	Jumper Harness with Fuse	1	1
28	1065175	Clip, Controller	1	1
29	1068539	Battery Tray, Bottom Pad	1	1
30	1064268	Battery, Lift	1	2
not shown	1073704	Decal, Battery Replacement	1	1
not shown	1073701	Decal, Pinch Point	1	4
not shown	1075222	Touch Up Paint, Isolet Grey (6 oz.)	1	1

◆ Order 1078287 (Handle) and 1078289 (Handle Mounting)

BASE ASSEMBLY

used on the RHA/RHL450 and RPA/RPL450
Discontinued (10/98) - Service Parts Only



BASE ASSEMBLY

Update 6/01 A

used on the RHA/RHL450 and RPA/RPL450

Discontinued (10/98) - Service Parts Only

Item Number	Part Number	Description	Quantity Per	
			Package	Assembly
1	1023632	Clip, Shroud	1	3
2	1063506	Shroud	1	1
3	1065359	Leg Cover, Front	1	2
4		Leg		
	1062445	Low Base	1	2
	1062471 NLA	Adjustable Base, Before 3/10/89	1	2
	★ 1069000	Adjustable Base, After 3/09/89	1	2
5		Caster, Front		
	1070959	3", (Low Base)	1	2
	1070957	5", (Adjustable Base)	1	2
6	1062424	Screw, Shoulder (1/2 x 5")	1	2
7		Leg Cover, Rear		
	1067283	Low Base, (Right/Left)	1	2
	1065357	Adjustable Base, Right	1	1
	1065358	Adjustable Base, Left	1	1
8	1062423	Screw, Shoulder, (1/2 x 2-1/4")	1	1
9	1064141	Grommet, (Power Lifts Only)	1	1
10	1065216	Locknut, (3/8-16)	1	3
11	1065214	Washer, Flat, (25/64 x 11/16 x 3/64")	1	3
12	1062419	Bushing, Flanged	1	4
13	1026174	Washer, (1/2 x 7/8 x 1/16")	1	1
14	1062444 NLA	Support, Cross	1	1
15	1024366	Caster, Rear with Brake, (5")	1	2
16	1073885	Washer, Flat, (1/2 x 15/16 x 1/8")	1	2
17	1014371	Lockwasher, Split, (1/2")	1	2
18	1073884	Screw, Hex Head Cap, (1/2 - 13 x 1-1/4")	1	2
19	1065152	Tie Rod	1	2
20	1065215	Screw, Button Head Socket, (5/16-18 x 3/4")	1	4
21	◆ 1063894 NLA	Handle Mounting	1	1
22	1029134	Screw, Shoulder, (1/2 x 1-1/4")	1	1
23	1064122	Spring	1	1
24	90044X000	Lockwasher, (1/2 x 7/8 x 1/32")	1	1
25	◆ 1062986 NLA	Handle	1	1
26	1032246	Grip, Cane, Textured, Black	1	1
27	1065174	Adaptor, AC, (Recharger/Transformer)	1	1
28	1064142	Battery Tray, Top	1	1
29	1067735	Clip, Controller	1	1
30	1068688	Jumper with Fuse	1	1
31	1065175	Wiring Harness	1	1
32	1064268	Battery	1	2
33	1068539	Battery Tray, Bottom	1	1
not shown	1073701	Decal, Pinch Point	1	4
not shown	1073704	Decal, Owner's Manual	1	1
not shown	⊛ 1064121 NLA	Nut, Acorn, (1/2-13) (Used to attach Caster to Leg)	1	4

★ When replacing Adjustable Base Lift leg order a pair of 1069000.

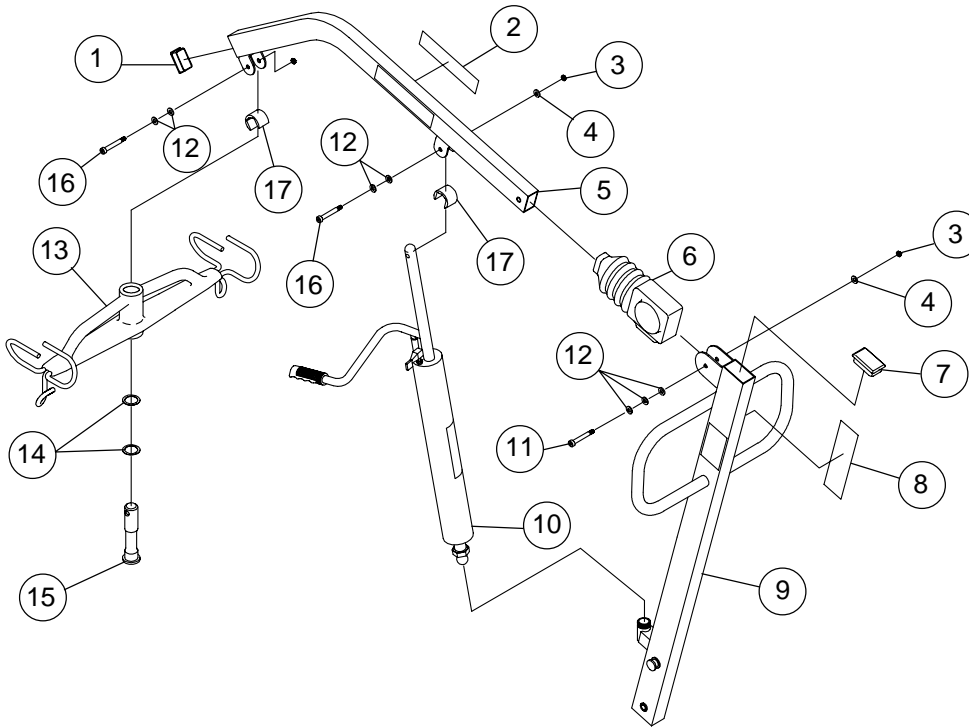
◆ Order 1078287 (Handle) and 1078289 (Handle Mounting).

⊛ Acorn nut is no longer being used on lifts manufactured after 8/4/97 due to the caster redesign.

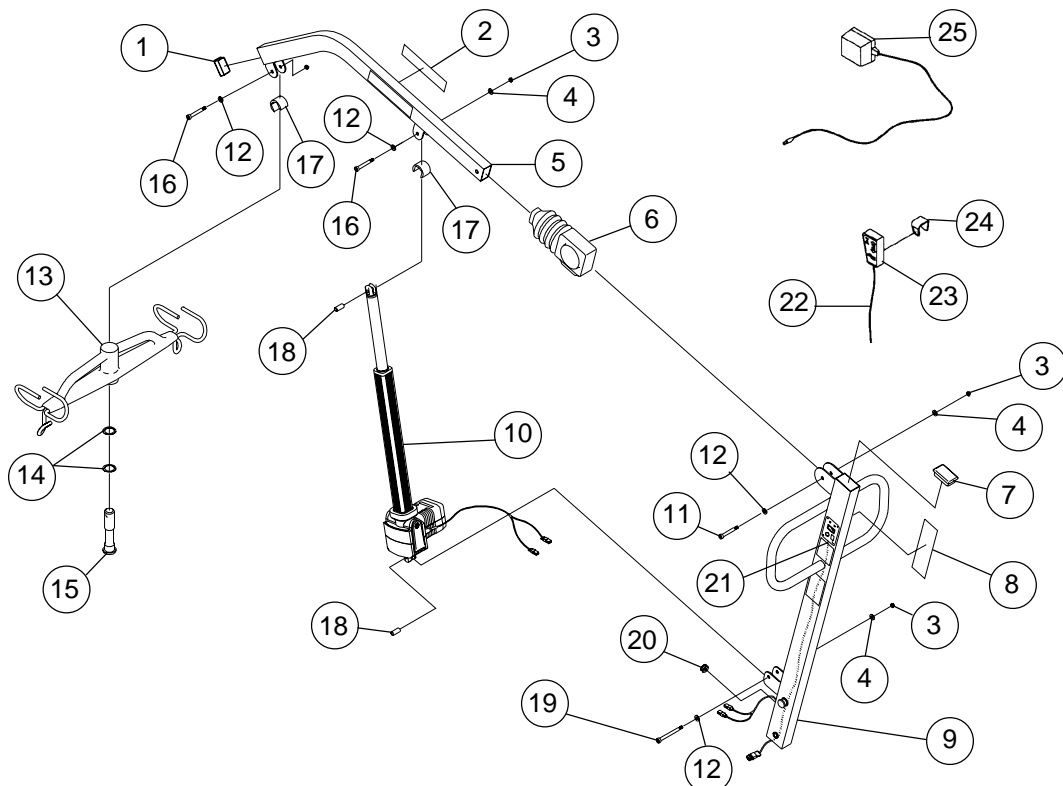
MAST and BOOM ASSEMBLIES

used on the RHA/RHL450 and RPA/RPL450

Discontinued (10/98) - Service Parts Only



Hydraulic Models - RHA450 & RHL450



Power Models - RPA450 & RPL450

MAST and BOOM ASSEMBLIES (continued)

used on the RHA/RHL450 and RPA/RPL450

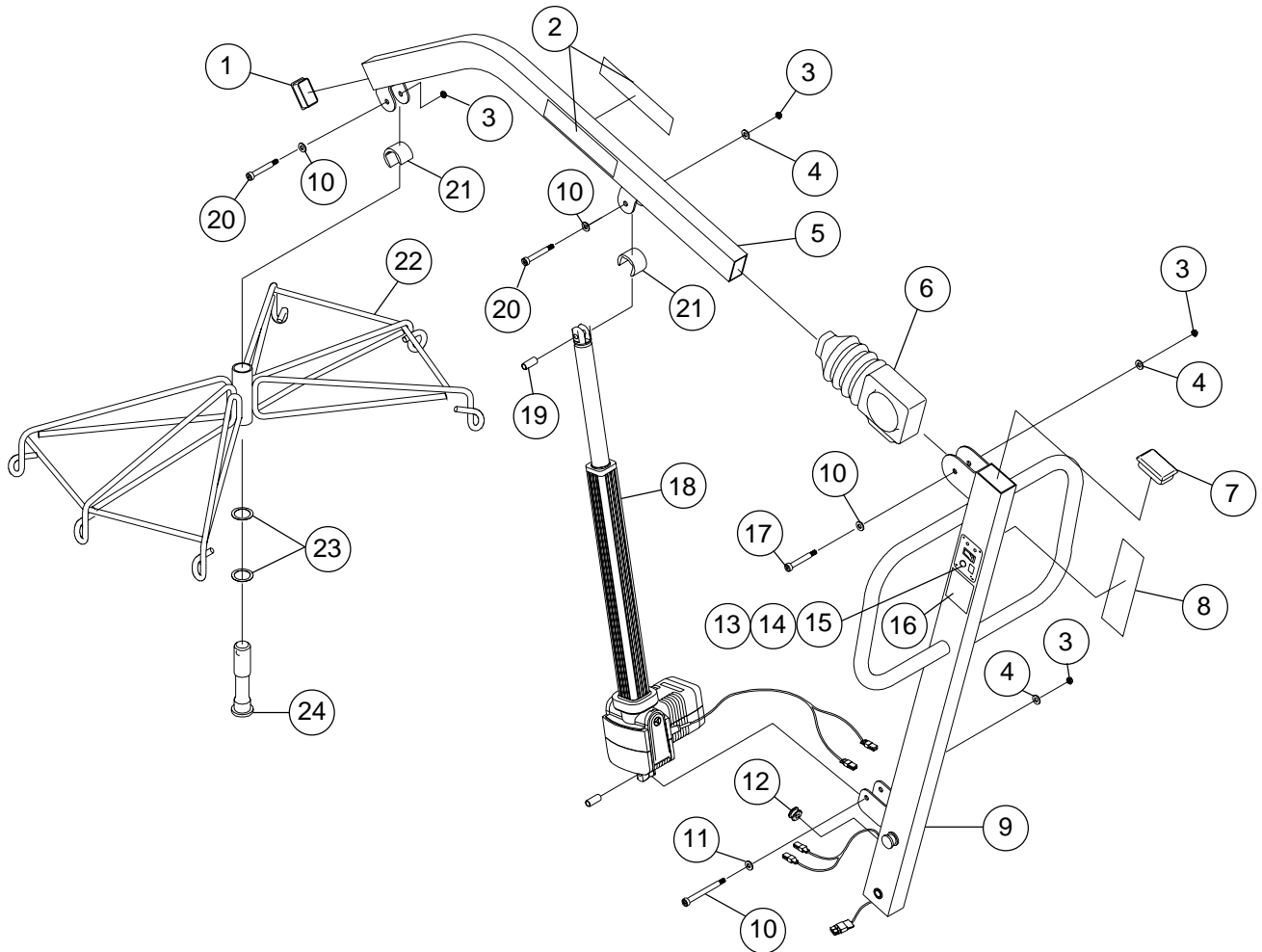
Discontinued (10/98) - Service Parts Only

Item Number	Part Number	Description	Quantity Per	
			Package	Assembly
1	1065360	End Cap, (1-1/4 x 2")	1	1
2	1068065	Decal, Boom	1	2
3	1064267	Locknut, (5/16-18)	1	3
4	1025704	Washer, (21/64 x 5/8 x 3/64")	1	2
5	1062175	Boom	1	1
6	1063234	Boot, Boom, Black	1	1
7	1065361	End Cap, (1-1/2 x 2-1/2")	1	1
8	1068040 NLA	Decals, Mast	1 sheet	1
9		Mast		
	1065208	Hydraulic Models	1	1
	1062171	Power Models	1	1
10		Pump		
	9099R	Pump, Hydraulic Models	1	1
	1064143	Actuator, Power Models	1	1
11	1064454	Screw, Shoulder, (3/8 x 2")	1	1
12	1065214	Washer, Flat, (25/64 x 11/16 x 3/64")		
		Hydraulic Models	1	7
		Power Models	1	8
13	1064518	Hanger Bracket, Urethane, Padded	1	1
	1075644	Extra Wide Swivel Bar Only	1	1
14	1064338	Washer, Nylon, (1-9/64 x 1-1/2 x 1/64")	1	2
15	1064339	Pin, Hanger	1	1
16	1031665	Screw, Socket Head, (3/8 x 1-1/2")	1	2
17	1064269	Finger Guard	1	2
18	1064443	Bushing, (3/8 x 15/32 x 1-3/32")	1	2
19	1064455	Screw, Shoulder, (3/8 x 1-3/4")	1	1
20	1064141	Grommet	1	1
21	1065171	P.C. Board	1	1
	1065170 NLA	Control Panel	1	1
	1065169	Rocker Switch with Connector	1	1
22	1065172	Pendant Cord	1	1
23	1065173	Pendant Switch	1	1
24	1067735	Clip, Controller	1	1
25	1065174	Adapter, AC	1	1
not shown	1073698	Decals, Lift Instructions, (RPA/RPL450)	1	1
not shown	1073703	Decal, Operating, (RHA/RHL 450)	1	1
not shown	1073700 NLA	Decal, Operating, (RPA/RPL 450)	1	1
not shown	1073704	Decal, Owners Manual	1	1
not shown	1073701	Decal, Pinch Point	1	1
not shown	1075222	Touch Up Paint, Isolet Grey, (6 oz.)	1	1
not shown	1075591	Instructions, Extended Width Swivel Bar	1	1

MAST and BOOM ASSEMBLY

used on the RPA600

Discontinued (9/1/98) - Service Parts Only



MAST and BOOM ASSEMBLY

used on the RPA600

Discontinued (9/1/98) - Service Parts Only

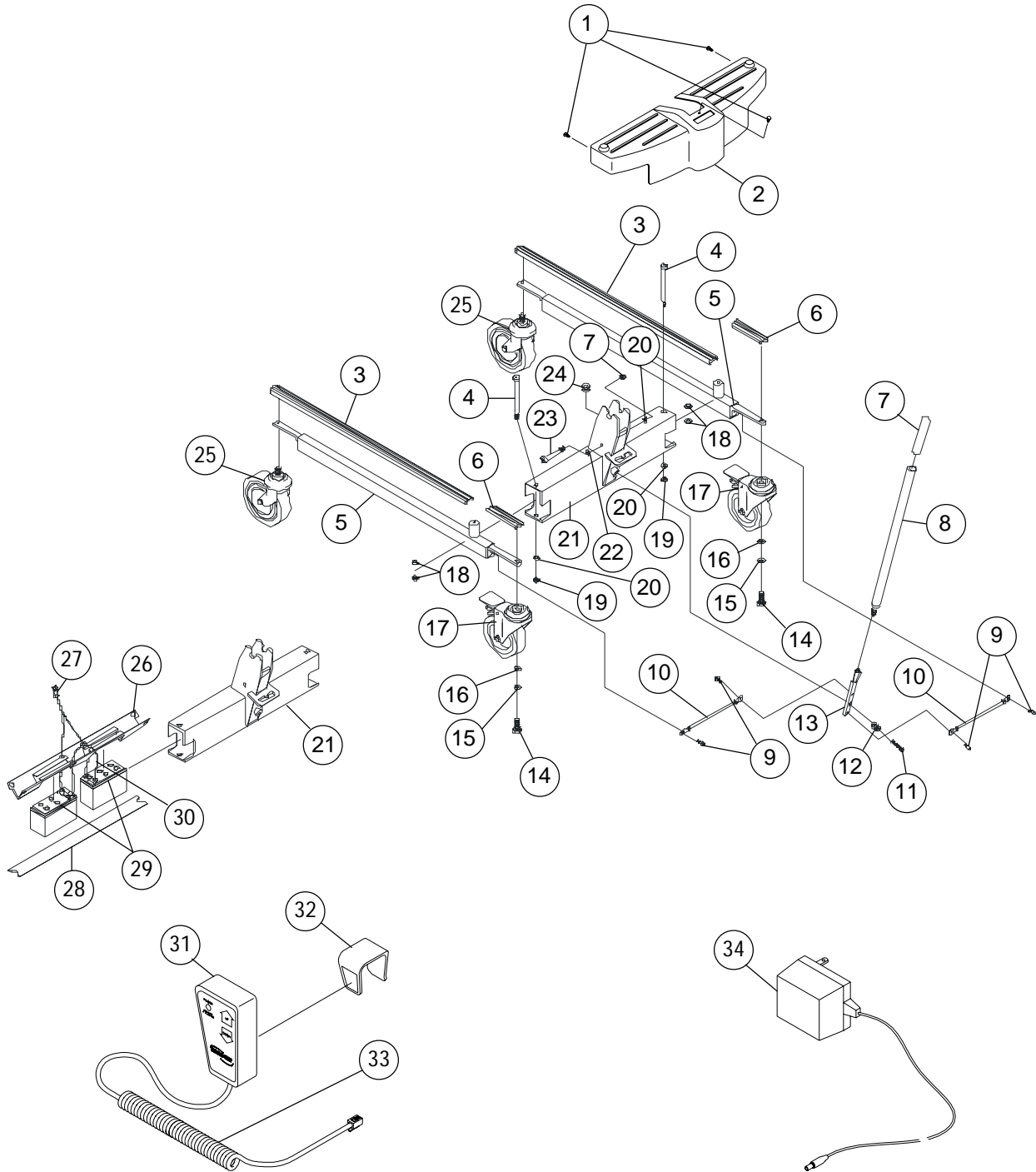
Update 02/01A

Item Number	Part Number	Description	Quantity Per	
			Package	Assembly
1	1065360	End Cap, (1-1/4 x 2")	1	1
2	1070953	Decal, Lift Reliant 600	1	2
3	1064267	Locknut, Heavy, (5/16-18")	1	4
4	1025704	Washer, (21/64 x 5/8 x 3/64")	1	3
5	1070956	Boom, Isolet Grey	1	1
6	1063234	Boot, Vinyl, Black	1	1
7	1065361	End Cap, (1-1/2 x 2-1/2")	1	1
8	1070965	Decal, Lift Warning	1	1
9	1070956 NLA	Mast, Isolet Grey	1	1
10	1064455	Screw, Socket Head, (3/8 x 1-3/4")	1	1
11	1065214	Washer, Flat, (25/64 x 11/16 x 3/64")	1	4
12	1064141	Grommet	1	1
13	1065169	Switch, Rocker with Connector	1	1
14	1065170 NLA	Control Panel	1	1
15	1065171	PC Board	1	1
16	1073700 NLA	Decal, Operating	1	1
17	1064454	Screw, Shoulder, (3/8 x 2")	1	1
18	1064143	Actuator	1	1
19	1064443	Bushing, (3/8 x 15/32 x 1-3/32")	1	2
20	1031665	Screw, Socket Head (3/8 x 1-1/2")	1	2
21	1064269	Guard, Finger	1	2
22	1070960	Hanger, Coated	1	1
23	1064338	Washer, Nylon, (1-9/64 x 1-1/2 x 1-64")	1	2
24	1064339	Pin, Hanger	1	1
not shown	1075222	Touch Up Paint, Isolet Grey, (6 oz.)	1	1

BASE ASSEMBLY

used on the RPA600

Discontinued (9/1/98) - Service Parts Only



BASE ASSEMBLY

used on the RPA600

Discontinued (9/1/98) - Service Parts Only

Item Number	Part Number	Description	Quantity Per	
			Package	Assembly
1	1023632	Clip, Shroud	1	3
2	1063506	Shroud, Lift Reliant	1	1
3	1070114	Leg Cover, Front	1	2
4	1062424	Screw, Shoulder, (1/2 x 5")	1	2
5	1069000	Leg, Isolet Grey	1	2
6		Leg Covers		
	1070112 NLA	Leg Cover, Lift Right	1	1
	1070113	Leg Cover, Lift Left	1	1
7	1032246	Grip, Cane, Textured, Black	1	1
8	◆1062986NLA	Handle, Isolet Grey	1	1
9	1065215	Screw, Socket Button Head, (5/16-18 x 3/4")	1	4
10	1065152	Tie Rod	1	2
11	1029134	Screw, Shoulder, (1/2 x 1-1/4")	1	1
12	1064122	Spring	1	1
13	1063894 NLA	Mounting Handle, Chrome	1	1
14	1073884	Screw, Hex Head, (1/2-13 x 1-1/4")	1	2
15	1014371	Lockwasher, (1/2")	1	2
16	1073885	Washer, Flat, (1/2 x 15/16 x 1/8")	1	2
17	1024366	Caster with Lock, Rear, (5")	1	2
18	1062419	Bushing, Flanged	1	4
19	1065216	Locknut, Hex, (3/8-16")	1	3
20	1065214	Washer, Flat, (25/64 x 11/16 x 3/64")	1	3
21	1070964	Cross Support	1	1
22	1026174	Washer, (1/2 x 7/8 x 3/64")	1	1
23	1062423	Screw, Shoulder, (1/2 x 2-1/4")	1	1
24	1064141	Grommet	1	1
25	1070957	Caster, Front, (5")	1	2
26	1064142	Battery Tray, Top	1	1
27	1065175	Wiring Harness	1	1
28	1068539	Pad, Battery Tray, Bottom	1	1
29	1064268	Battery, Lift	1	2
30	1068688	Jumper with Fuse	1	1
31	1065173	Switch, Pendant	1	1
32	1067735	Clip, Controller	1	1
33	1065172	Cord, Pendant	1	1
34	1065174	Adaptor, AC	1	1
not shown	1073701	Decal, Pinch Point	1	4
not shown	1073704	Decal, Owner's Manual	1	1
not shown	10369X000	Hexagon Key, (3/16")	1	1

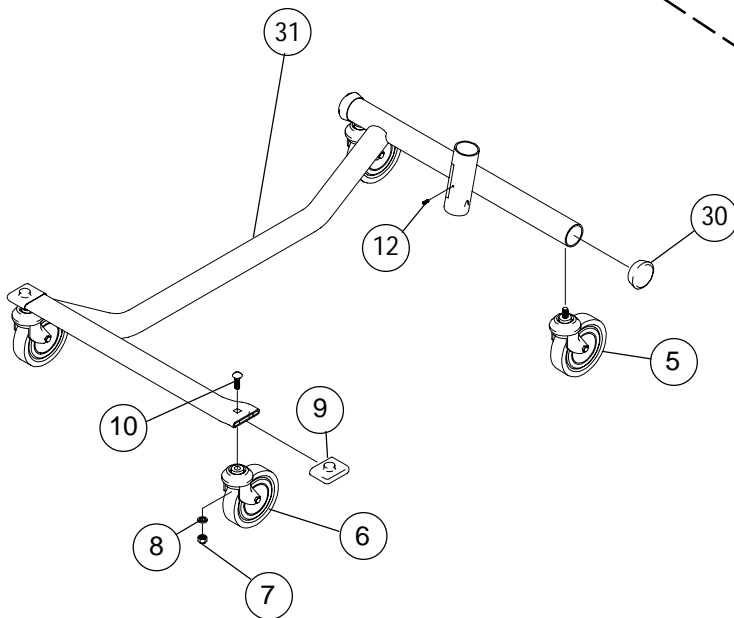
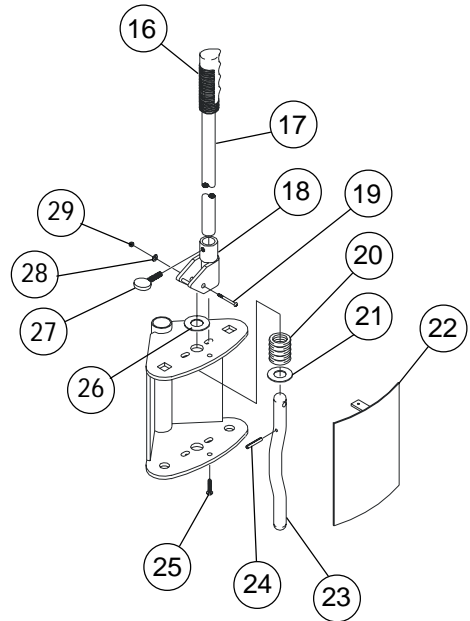
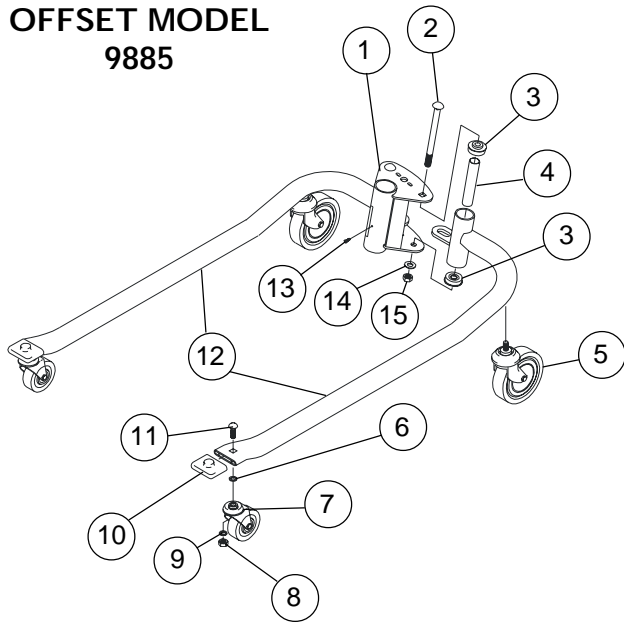
◆ Order 1078287 (Handle) and 1078289 (Handle Mounting).

BASE ASSEMBLIES

9885 and 9886

Discontinued (1/97) - Service Parts Only

OFFSET MODEL 9885



"C" MODEL 9886

BASE ASSEMBLIES

Updated 11/01A

9885 and 9886

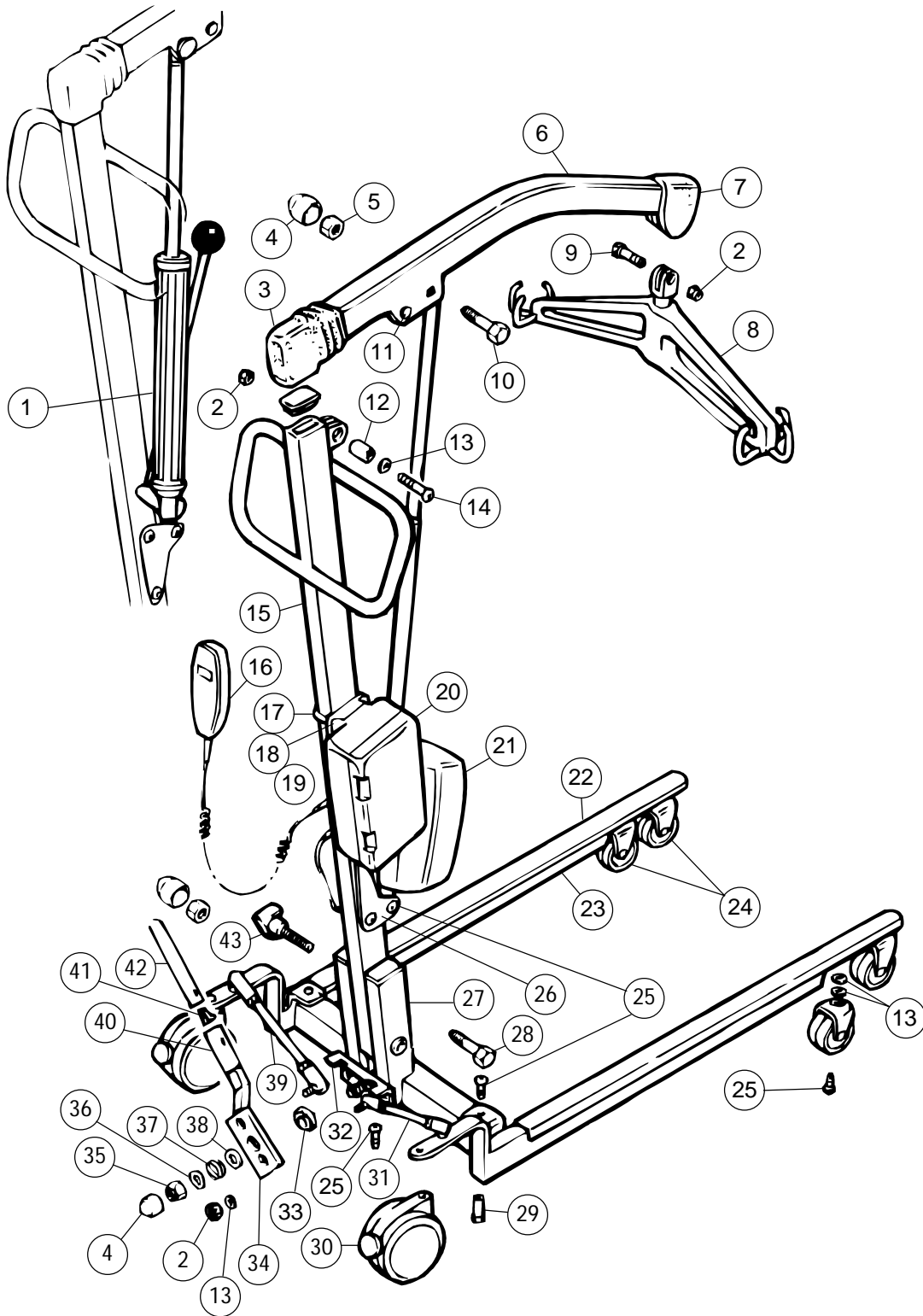
Discontinued (1/97) - Service Parts Only

Item Number	Part Number	Description	Quantity Per	
			Package	Assembly
		Item Numbers 1-4, 14-18 & 20-27 are unique to the 9885 Lift		
1	90200X000	Socket	1	1
2	90069X000	Bolt, Carriage, (1/2-13 x 6-3/4")	1	2
3	90068X000	Bearing, Flanged	1	4
4	90071X000	Spacer, Bearing	1	2
5	1015966	Caster, Swivel, (5")	1	2
6	1026478	Washer (3/8 x 1 x 1/8"), 9885	1	2
		Casters, Front		
7	1024494	Swivel (5"), 9886	1	2
	1024291	Swivel (3"), 9885, Before 3/96	1	2
	1023361	Swivel (3"), 9885, After 2/96	1	2
8	1024297	Locknut (7/16-14), 9886	1	2
9	1014808	Washer, Spring Lock, 9886, (7/16 x 25/32 x 1/64")	1	2
	1005519	Washer, Lock, 9885, (3/8 x 11/16 x 3/32")	1	2
	40363X000	Locknut (3/8-16), 9885	1	2
10	1024298	End Cap (2 x 2-1/2")	1	2
11	1026474	Bolt, Carriage, 9886 (7/16-14 x 1-3/4")	1	2
	1026462	Screw, Hex Flange, 9885 (3/8-16 x 1-1/4")	1	2
12		Lift Leg, 9885		
	1024284 NLA	Right	1	1
	1024285 NLA	Left	1	1
13	60284X001	Screw, (1/4-20 x 1/2")	1	1
14	90044X000	Washer, Lock, (1/2 x 29/32 x 3/64")	1	2
15	90070X000	Nut, (1/2-13)	1	2
16	90007X000	Hand Grip	1	1
17	90197X000	Shifter Handle	1	1
18	90202X000	Cam Lock, After 8/94	1	1
	1052250	Cam Lock Kit, Before 9/94	1	1
19	⊛ 90078X000 NLA	Spring Pin, (1/4 x 1"), Before 9/94	1	1
	1029583	Screw, Socket Head, (1/4-20 x 1-7/16"), After 8/94	1	1
20	90207X000	Spring	1	1
21	90075X000	Washer, (21/32 x 1-5/16 x 1/64")	1	1
22	90201X000	Cover Plate, Rear	1	1
23	90192X000	Cam Lock	1	1
24	10800X000	Roll Pin, (1/4 x 1")	1	2
25	12642X000	Screw, Phillips Head, (#8-18 x 5/8")	1	2
26	90136X000	Bushing, (5/8 x 1-1/8 x 5/16")	1	1
27	90206X000	Screw, Thumb, (1/4-20 x 1")	1	1
28	1002104	Washer, Flat, (17/64 x 1/2 x 1/64")	1	1
29	60275X000	Locknut, (1/4-20)	1	1
30	1014026	End Cap, (2"), 9886	1	2
31	1024278 NLA	Base, C, - 9886	1	1

⊛ Replace with Cam Lock Kit, 1052250 (lifts built before 9-94). Kit contains items 18, 19, 26, 28 and 29.

PATIENT LIFTS 9700 and 9701

Discontinued (1/97) - Service Parts Only



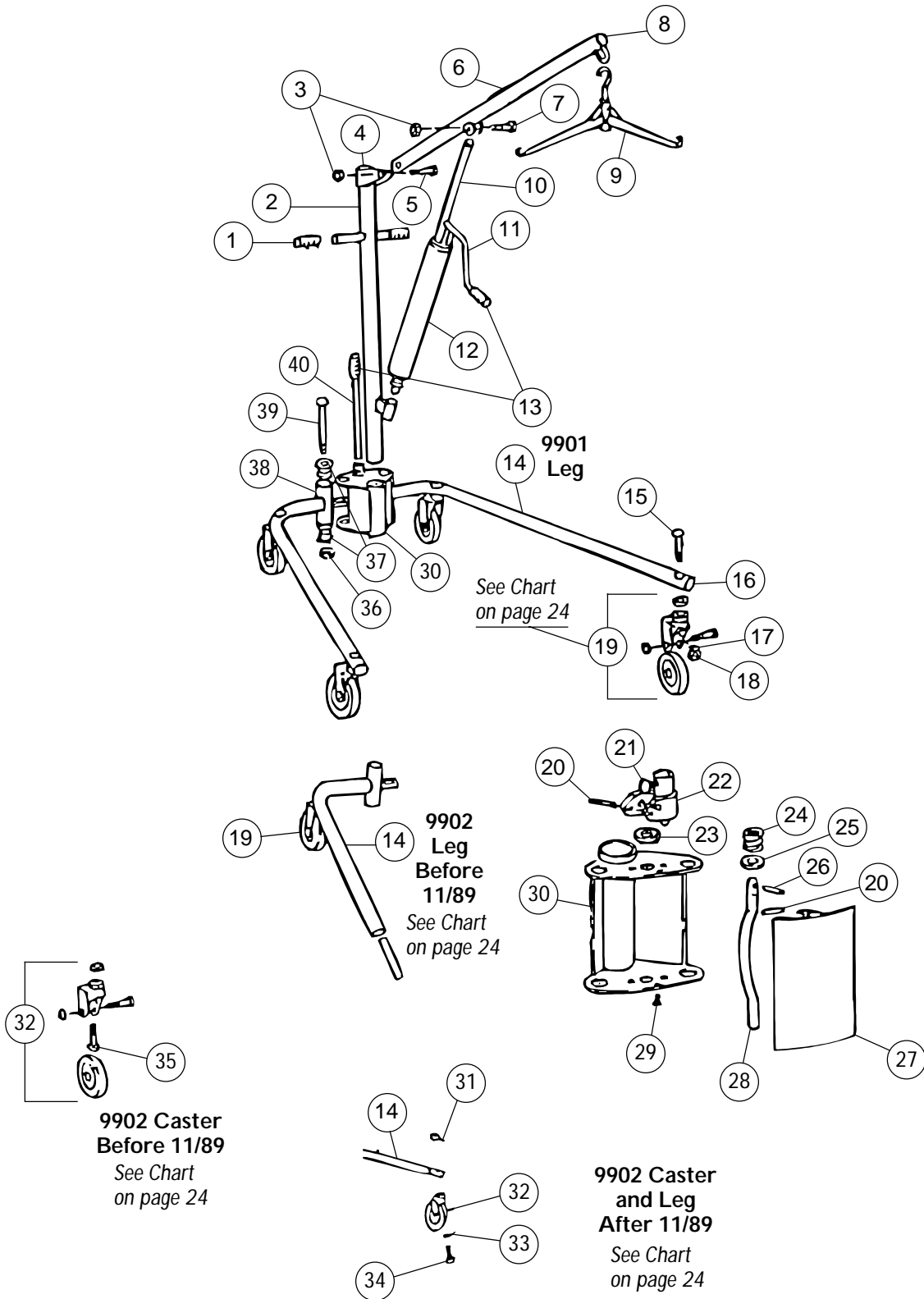
PATIENT LIFTS 9700 and 9701 (continued)

Item Number	Part Number	Description	Quantity Per	
			Package	Assembly
1	N90022	Pump, Hydraulic, 9700	1	1
2	F30102	Nut, Hex Head Nyloc (M10)	1	3
3	270101	Boot, Mast	1	1
4	L01067	Nut cap (M12), Black	1	4
5	F20106	Nut, Hex Head Nyloc (M12)	1	2
6	270063	Boom	1	1
7	270099	Boot, Boom	1	1
8	1068992	Reliant Swivel Bar Retro Fit Kit	1	1
9	E10126	Bolt, Hex Head (M10 x 50)	1	1
10	D50186	Bolt, Hex Head (M12 x 55)	1	1
	◆ 270092NLA	Swivel Bar, Padded	1	1
11	K32307	Washer, Starlock Cap (M12)	1	1
12	270076	Bushing, Mast Inner	1	1
13	G00204	Washer (M10)	1	10
14	E10127	Bolt, Hex Head (M10 x 60)	1	1
15	270087	Mast	1	1
16	P10908	Hand Control, 9701	1	1
17	270089	Hanger Bracket, Battery Box	1	2
18	F00102	Nut, Hex (M5)	1	4
19	G90107	Washer (M5)	1	4
20	P51018	Battery Box with Batteries, 9701	1	1
not shown	ES7212AP	Battery Only	2	1
21	P30911	Actuator, 9701	1	1
22	270094	Molding, Leg	1	2
		Leg, Lift		
23	270060	Right	1	1
	270080	Left	1	1
24	M02014	Caster, (2")	1	4
25	D90106	Screw, Allen Button Head (M10 x 20)	1	10
26	270134	Bracket, Inverter	1	2
27	270182	Chassis Subframe	1	1
28	D50187	Bolt, Hex Head (M12 x 150)	1	1
29	270084	Pivot, Leg	1	2
30	M02013	Caster, (5")	1	2
31	270183	Ackerman Link, Long	1	1
32	270166	Stop Plate	1	1
33	270177	Washer, Pivot	1	1
34	270174	Pivot/Lock Bracket	1	1
35	F20106	Nut, Hex Head Nyloc (M12)	1	1
36	G00104	Washer (M12)	1	1
37	N11122	Spring	1	1
38	N19104	Spring, Disk (M12)	1	1
39	270184	Ackerman Link, Short-Left Side	1	1
40	500016	Anti-Rattle Bushing	1	1
41	500023	Spring Clip	1	1
42	270175	Handle	1	1
43	L90083	Hand Knob, Tri-Star (M6)	1	1
not shown	✠ 01066NLA	Nut Cap (M10), Black	1	2
not shown	1070113	Leg Cover, Rear	1	2
not shown	P51020	Battery Charger	1	1
not shown	1031454	Touch-Up Paint (Teal)	1	1

◆ After 4/10/97 use 1068992, Reliant Swivel Bar

PATIENT LIFTS 9901 and 9902

Discontinued (11/92) - Service Parts Only



PATIENT LIFTS 9901 and 9902

Discontinued (11/92) - Service Parts Only (continued)

Update 5/00A

Item Number	Part Number	Description	Quantity Per	
			Package	Assembly
1	1015707	Hand Grip	1	2
2	89975X000	Mast	1	1
3	40363X000	Locknut, (3/8-16)	1	1
4	1019122	Mast Cap	1	1
5	90003X000	Bolt, Socket Head Shoulder, (3/8 x 2")	1	1
6	89976X000	Boom	1	1
7	90002X000	Bolt, Socket Head Shoulder, (3/8 x 1-1/4")	1	1
8	90005X000	Plug Button, (1-1/2")	1	2
9		Swivel Bar		
	9029	Angled Swivel Bar	1	1
	1068992	Reliant Swivel Bar Retro Fit Kit (Includes Hanger, Hanger Pin, Hardware and Instructions)	1	1
10	90052X000	Ram	1	1
11	90012X000	Handle	1	1
12	9099	Pump - (See pages 27A-27D for individual parts.)	1	1
13	90007X000	Handle Grip	1	1
14		Leg, Lifts, 9901 and 9902		
		9901, Right and Left	1	1
	NLA	9902, Right and Left, Before 11/89	1	1
	NLA	9902, Right, After 10/89	1	1
	90219X001	9902, Left, After 10/89	1	1
	90218X001			
15	90064X000 NLA	Bolt, Carriage, (7/16-14 x 2-3/4")	1	2
16	90006X000	Button, Metal, (1-3/4") -9901	1	2
17	90066X000	Washer, Lock ,(15/32 x 21/62 x 9/64")	1	2
18	90065X000 NLA	Locknut, (7/16-14)	1	2
		<i>For Replacement order both Locknut and Roll Pin</i>		
	20225X003	Locknut, (7/16-20)	1	2
	40187X000	Roll Pin	1	2
19		Casters		
	1015543	Retro Fit Kit, (Before 6/88) (Includes four 5" Casters and Instructions)	1	1
	1015966	5" Swivel Caster, (After 5/88) 9902 requires 2 per Assembly	1	4
20	10800X000	Roll Pin	1	2
21	90206X000	Screw, Thumb, (1/4-20)	1	1
22	90202X000	Cam Lock	1	1
23	90136X000	Bushing, Flanged	1	1
24	90207X000	Spring, Cam	1	1
25	90075X000	Washer, (43/64 x 1-5/16 x 1/8")	1	1
26	90078X000 NLA	Spring Pin, (1/4 x 1")	1	1
27	90201X000	Cover Plate, Rear	1	1
28	90192X000	Cam	1	1
29	12642X000	Screw, Pan Head, (8-15 x 5/8")	1	2
30	90200X000	Socket	1	1
31	1005519	Washer, (3/8 x11/16x 3/32"), 9902, After 10/89	1	2
32		Caster, 3"		
	1023361	Swivel, 9902, After 10/89	1	2
	96340X000 NLA	Swivel, 9902, Before 11/89	1	2
33	40363X000	Locknut, (3/8-16), 9902, After 10/89	1	2
34	1023362	Screw, Hex. Head, (3/8-16 x 1"), 9902, After 10/89	1	2
35	1015981	Screw, (7/16-14 x 1-3/4"), 9902, Before 11/89	1	2
36	90070X000	Locknut, (1/2-13)	1	2
37	90068X000	Bearing, Flanged	1	4
38	90071X000	Spacer, Bearing	1	2
39	90069X000	Bolt, Carriage, (1/2-13 x 6-3/4")	1	2
40	90197X001	Shifter Handle	1	1

⊛ Before ordering, see page 24.

CASTER and LEG REFERENCE GUIDE for 9901 FIXED LIFT and 9902 OFFSET LIFT

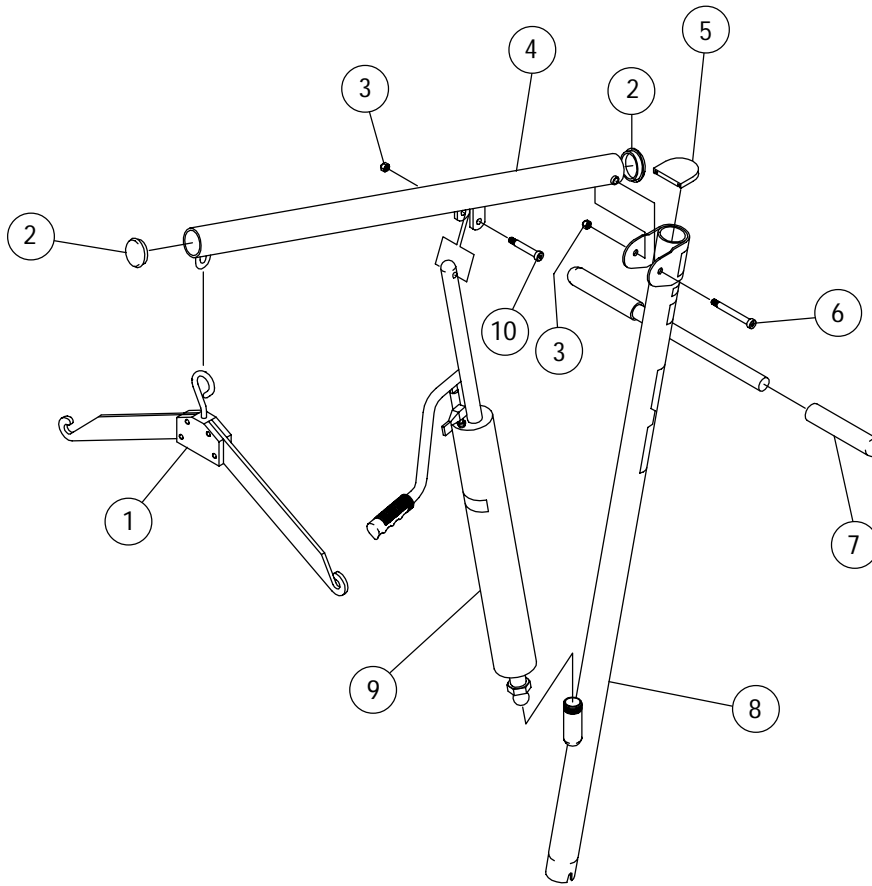
Model Number	Year	Caster	J Leg	Notes
9901 or 9902	Built Between 11/83 and 6/88	Screw-in 5" Casters are NLA . Order Retro Kit 1015543 that contains: 4ea 1015966 - 5" Caster	N/A	Once Lift Has Had Retro Kit installed, 1015966 - 5" Caster may be ordered on an individual basis.
9901	Built After 5/88	1015966 - 5" Caster	N/A	
9902	Built Before 11/89	96340X000 NLA - 3" Caster	Original legs are NLA . Order 1ea 90219X001 for Right Leg and 1ea 90218X001 for Left Leg to upgrade unit.	Also needed to complete upgrade are the following items Per Leg: 1ea. 1023361 - 3" Caster 1ea. 1023362 - Screw 1ea. 1005519 - Lockwasher 1ea. 40363X000 - Locknut Once upgrade has been made, the parts listed above may be purchased on an individual basis.
9902	Built After 10/89	1023361 -Caster 1023362 -Screw, Hex Head (3/8-16 x 1") 1005519 -Lockwasher (3/8 x 11/16 x 3/32") 40363X000 -Locknut	90219X001 Right Leg 90218X001 Left Leg	

J Right or Left is determined by standing behind the lift.

MAST ASSEMBLY - 9800

Update 5/00A

Discontinued (8/96) - Service Parts Only

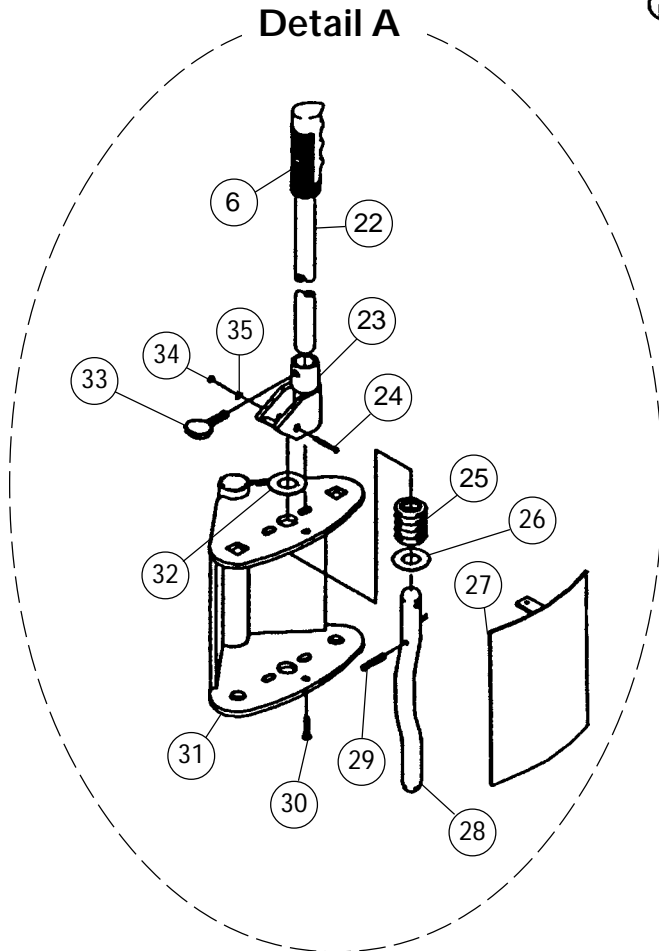
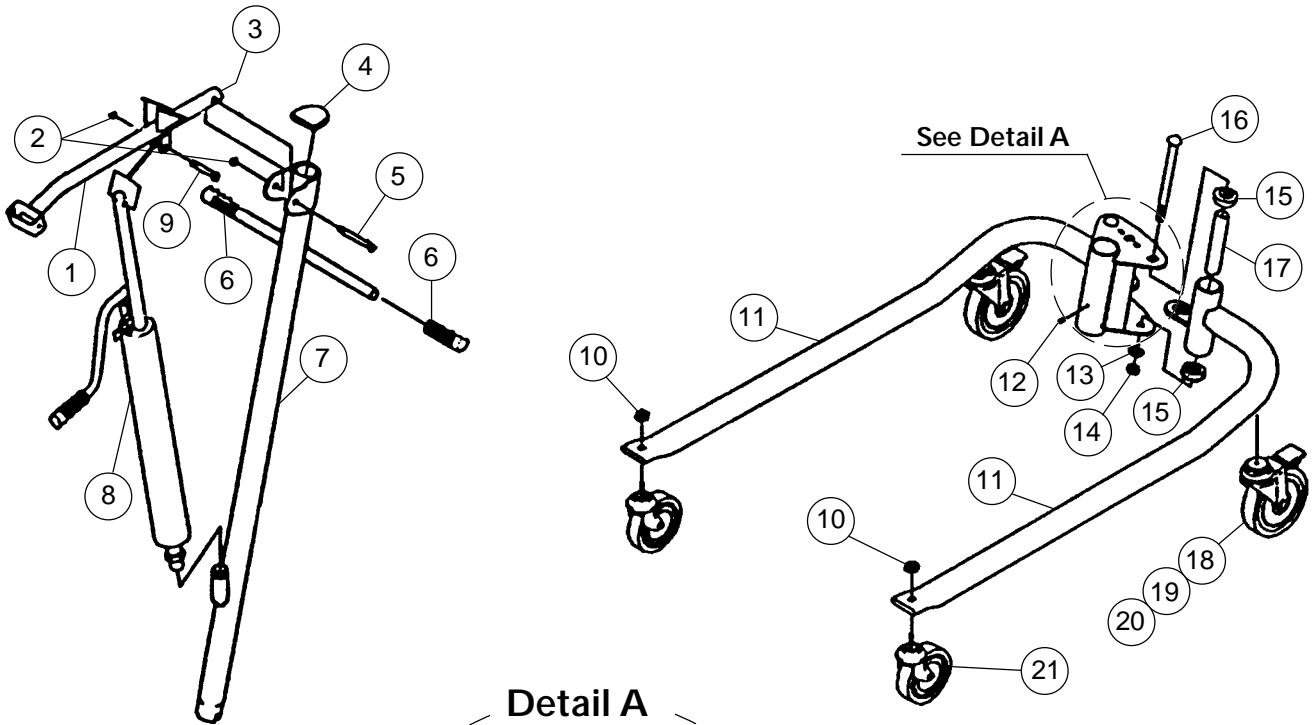


Item Number	Part Number	Description	Quantity Per	
			Package	Assembly
1	9029 1068992	Swivel Bar Angled Retro Fit Kit, (Includes: Hanger w/Urethane Jacket, Hanger Pin, Hardware and Instructions)	1 1	1 1
2	90006X000	End Cap - Metal, (1-3/4")	1	2
3	12143X000	Locknut, (5/16-18)	1	2
4	1024261	Boom	1	1
5	1024300	Mast Cap	1	1
6	1024294	Screw, Shoulder, (3/8 x 2-1/4")	1	1
7	1015707	Handgrip, Vinyl, (5")	1	2
8	1024279	Mast	1	1
9	9099	Pump - (See pages 27A-27D for individual parts.)	1	1
10	90002X000	Bolt, Shoulder, (3/8 x 1-1/4")	1	1
not shown	1060539	9800A Boom Retro Fit Kit (Includes Boom, Pin, Hanger Bar, Hardware, Owners Manual, Warning Label and Instructions)	1	1

ACME PATIENT LIFT 9903

Update 04/01A

Discontinued (8/96) - Service Parts Only



ACME PATIENT LIFT 9903

Update 04/01A

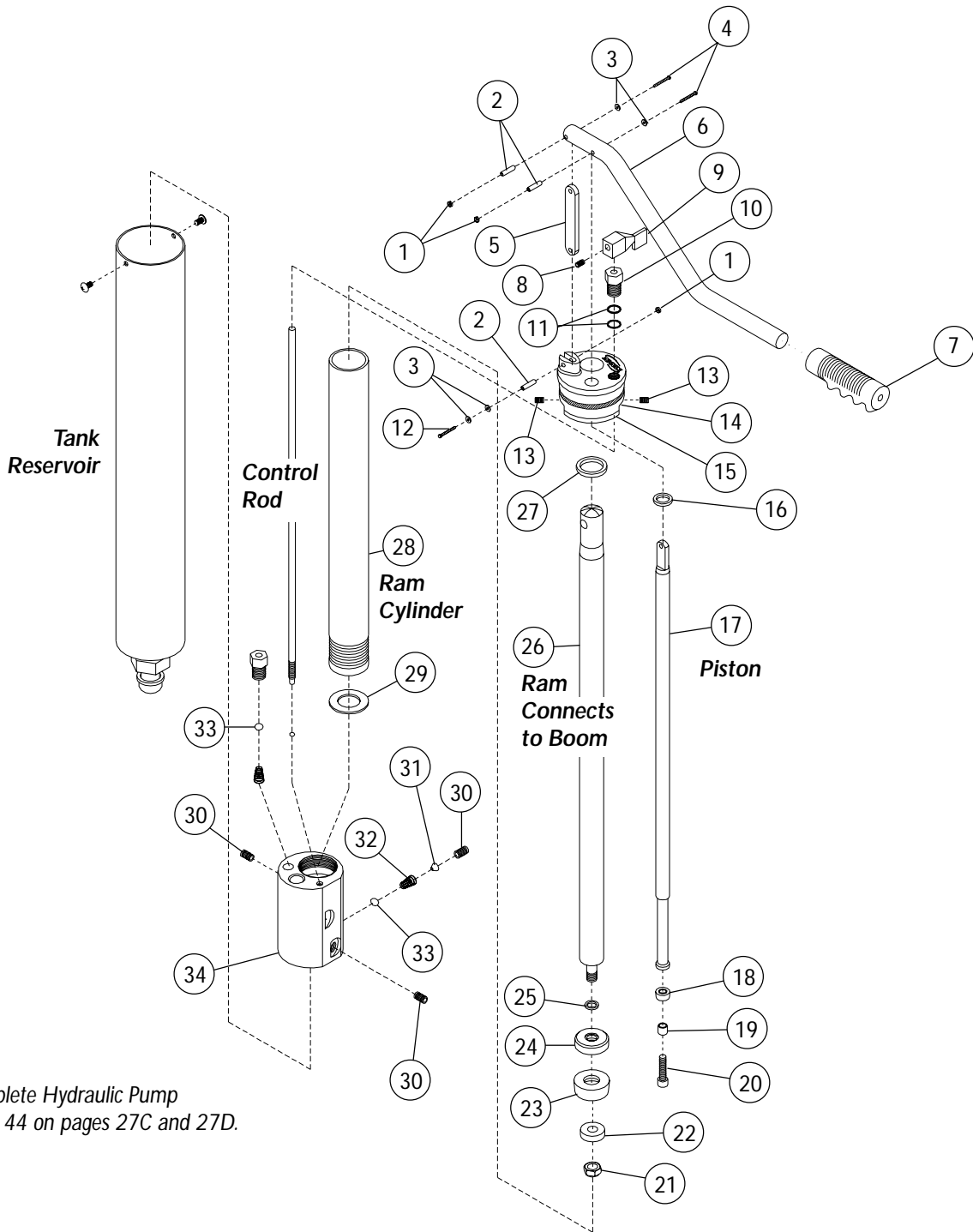
Discontinued (8/96) - Service Parts Only (continued)

Item Number	Part Number	Description	Quantity Per	
			Package	Assembly
1	89976X006	Boom Bar	1	1
2	12143X000	Locknut, (5/16-18)	1	2
3	90005X000	Button, Metal, (1-1/2")	1	1
4	1019122	Button, Metal, (1-3/4")	1	1
5	90003X000	Screw, Socket Head Shoulder, (3/8 x 2")	1	1
6	90007X000	Hand Grip, Plastic	1	3
7	89975X000	Mast	1	1
8	9099	Pump - (See pages 27A-27D for individual parts.)	1	1
9	90002X000	Screw, Socket Head Shoulder, (3/8 x 1-1/4")	1	1
10	40363X000	Locknut, (3/8-16)	1	2
11		Offset Legs	1	1
	90219X001	Right	1	1
	90218X001	Left	1	1
12	60284X001	Screw, Socket Head Cap, (1/4-20 x 1/2")	1	1
13	90044X000	Lockwasher (1/2 x 7/8 x 1/32")	1	2
14	90070X000	Nut, (1/2-13)	1	2
15	90068X000	Bearing, Flanged	1	4
16	90069X000	Bolt, Carriage, (1/2-13 x 6-3/4")	1	2
17	90071X000	Spacer, Bearing	1	2
18	1015981	Screw, Hex Head, (7/16-14 x 1-3/4")	1	2
19	90066X000	Lockwasher, (15/32 x 21/64 x 9/64")	1	2
20	96340X001	Caster, (4"), Darnell Swivel	1	2
21	96345X001	Caster, (2"), with Threaded Stem	1	2
22	90197X000	Handle, Shifter, without Grip	1	1
23	90202X000	Cam Lock	1	1
24	1029583	Screw, Button Head Cap, (1/4-20 x 1-7/16")	1	1
25	90207X000	Spring, Cam	1	1
26	90075X000	Washer, Steel, (43/64 x 1-5/16 x 1/8")	1	1
27	90201X000	Cover Plate	1	1
28	90192X000	Cam	1	1
29	10800X000	Pin, Cotter	1	2
30	12642X000	Screw, Pan Head, (#8 x 5/8")	1	2
31	90200X000	Socket	1	1
32	90136X000	Bushing	1	1
33	90206X000	Screw, Thumb, (1/4-20 x 1/2")	1	1
34	60275X000	Locknut, (1/4-20)	1	1
35	1002104	Washer, (1/4")	1	1
not shown	1011234	Allen Wrench, (3/16")	1	1
not shown	40131X077	Carton with Insert	1	1
not shown	40131X078	Carton	1	1
not shown	1004554	Insert, Long	1	2
not shown	1004555	Insert, U-Shape	1	2
not shown	1004556	Insert, Short	1	2
not shown	1004557	Insert, Square Tube	1	1
not shown	1004558	Insert, 1 Slot	1	1
not shown	1004559	Insert, 3 Slot	1	1
not shown	1007984	Carton Bottom	1	1
not shown	97709X006 NLA	Hammock Ring	1	2

HYDRAULIC PUMP

9099 and 9099R

Update 5/00A



For complete Hydraulic Pump
see item 44 on pages 27C and 27D.

HYDRAULIC PUMP

9099 and 9099R (continued)

(See pages 27C-27D for items 35 thru 43)

Update 8/00A

Item Number	Part Number	Description	Quantity Per	
			Package	Assembly
1	57007X002	Locknut (#2-56)	1	3
2	90014X000	Spring Pin	1	3
3	40157X023	Washer (3/32 x 1/4 x 1/32")	1	4
4	11919X003	Screw, Hex Head (#2-56 x 3/4")	1	2
5	90013X000	Link	1	1
6	90012X000	Pump Handle	1	1
7		Grip, Handle		
	90007X000	Grey (9099)	1	1
	1065926	Black (9099R)	1	1
8	60284X007	Screw, Socket Hex (1/4-20 x 3/8")	1	1
9	90015X000	Control Handle	1	1
10	90018X000	Fitting, Control Rod	1	1
11	90020X000	"O" Ring, Control Rod	1	2
12	11919X003	Screw, Slotted (#2-56 x 7/8")	1	1
13	90032X000	Screw, Socket Head (#10-32 x 1/4")	1	2
14	90021X000	Pump Head	1	1
15	90024X000	"O" Ring, Tank	1	1
16	90023X000	"O" Ring, Piston	1	1
17	90033X000	Piston	1	1
18	90034X000	Cup, Piston	1	1
19	90035X000	Spacer, Piston Cup	1	1
20	90036X000	Screw, Socket Head (1/4-28 x 1")	1	1
21	40363X000	Locknut (3/8-16)	1	1
22	90028X000	Washer, Inside Ram (3/8 x 57/64 x 1/4")	1	1
23	90026X000	Cup, Ram	1	1
24	90029X001	Washer, Outside Ram (3/8 x 1-1/4 x 11/32")	1	1
25	90027X000	"O" Ring Clip Seal, Ram	1	1
26	90052X000	Ram	1	1
27	90022X000	"O" Ring, Ram	1	1
28	90031X000	Ram Cylinder	1	1
29	90135X000	Washer, Nylon (3/4 x 1-23/64 x 1/16")	1	1
30	90043X000	Pressure Plug (1/8")	1	3
31	90053X000	Tube Bonnet	1	1
32	90045X000	Spring	1	1
33	90040X000	Steel Ball (5/16")	1	2
34	90037X000	Pump Body	1	1

HYDRAULIC PUMP

9099 and 9099R (continued)

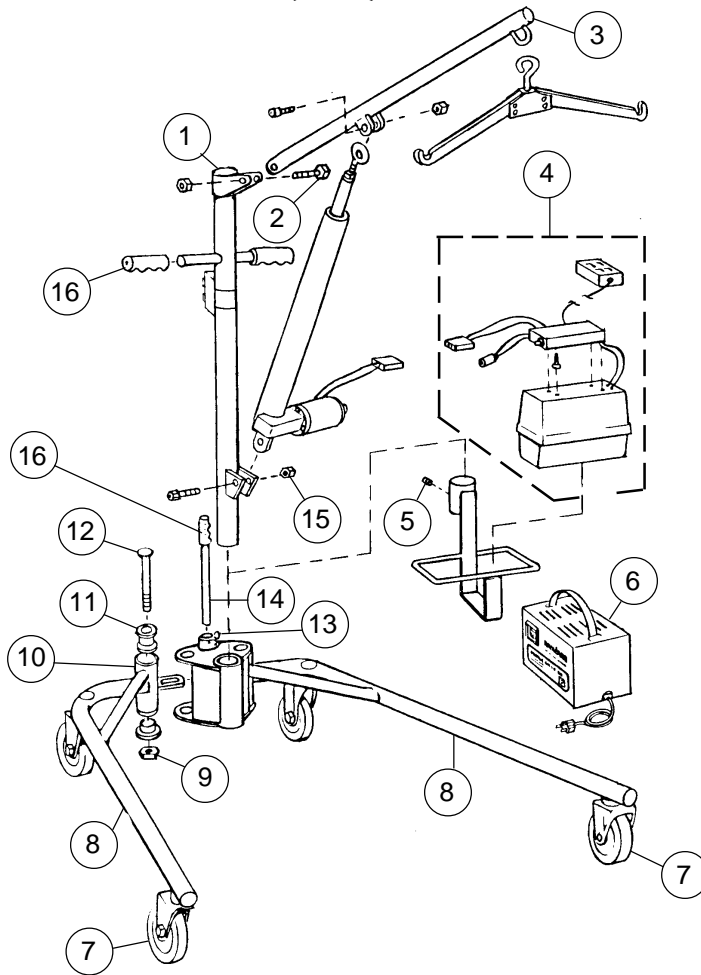
(See pages 27A-27B for items 1 thru 34)

Update 5/00A

Item Number	Part Number	Description	Quantity Per	
			Package	Assembly
35	90041X000	Spring	1	1
36	90039X000	Inlet Fitting	1	1
37	90042X000	Steel Ball (3/16")	1	1
38	90019X000	Control Rod	1	1
39	90017X000	Screw, Pan Head Phillips (10-32 x 5/16")	1	2
40		Tank Reservoir		
	90008X000	Chrome, (9099)	1	1
	1065927	Isolet Grey, (9099R)	1	1
41	90009X000	EMT Nut (1-1/8-18 x 5/16")	1	1
42	90011X000	Screw, 9099 Pump Only, (8-32 x 1/8")	1	1
43	91100X238	Retaining Ring	1	1
44	9099	Pump, Chrome	1	1
	9099E	Pump, Reconditioned Chrome	1	1
	9099R	Pump, Isolet Grey - Reliant	1	1
	9099RE	Pump, Reconditioned Isolet Grey - Reliant	1	1
not shown	90046X000	Hydraulic Oil - 16 oz.	1	1
not shown	1011941	Pump Upgrade Kit for Pumps, Before 1986 (Includes item numbers 1, 3, 4, and 12)	1	1

ELECTRIC PATIENT LIFT 9911/9912

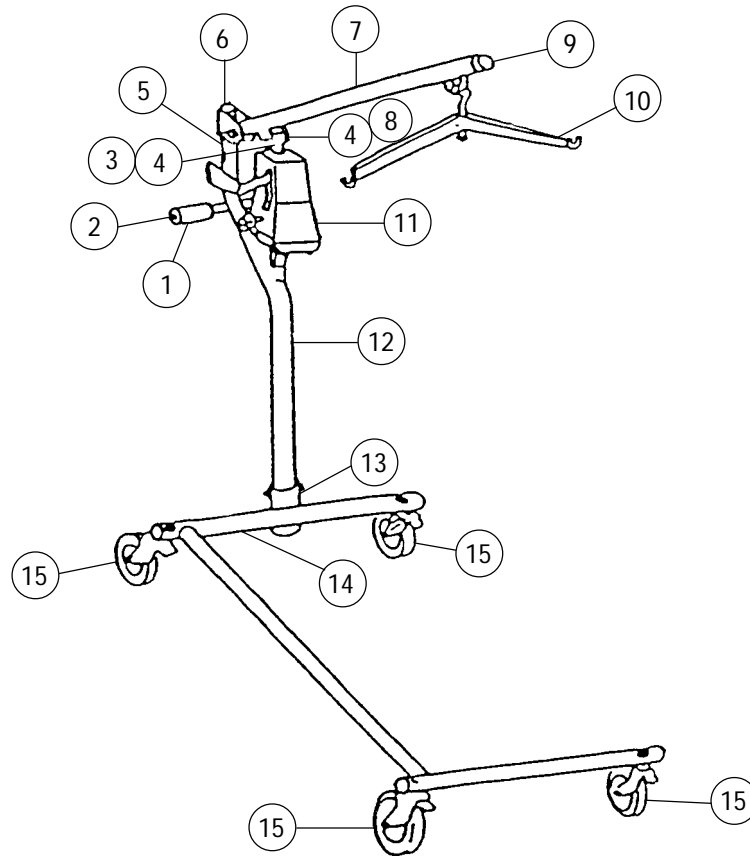
Discontinued (5/87) - Service Parts Only



Item Number	Part Number	Description	Quantity Per	
			Package	Assembly
1	1019122	Button, Metal, (1-3/4")	1	1
2	90003X000	Screw, Socket Head Shoulder, (3/8 x 2")	1	1
3	90005X000	Plug Button, (1-1/2")	1	1
4	50000X436	Battery Box and Controls	1	1
5	90016X000NLA	Screw, (1/4 x 3/8")	1	1
6	05502X092NLA	Battery Charger	1	1
7	96490X003NLA	Caster, (5") Swivel	1	4
8		Offset Legs		
	90214X002NLA	Left	1	1
	90213X002NLA	Right	1	1
9	90070X000	Nut, (1/2-13)	1	1
10	90071X000	Spacer, Bearing	1	2
11	90068X000	Bearing, Flanged	1	4
12	90069X000	Bolt, Carriage, (1/2-13 x 6-3/4")	1	1
13	90206X000	Screw, Thumb, (1/4-20 x 1/2")	1	1
14	90197X000	Handle, Shifter, without Grip	1	1
15	12143X000	Locknut, (5/16-18)	1	1
16	90007X000	Hand Grip, Plastic	1	3

PATIENT LIFT 9916

Discontinued (1/92) - Service Parts Only

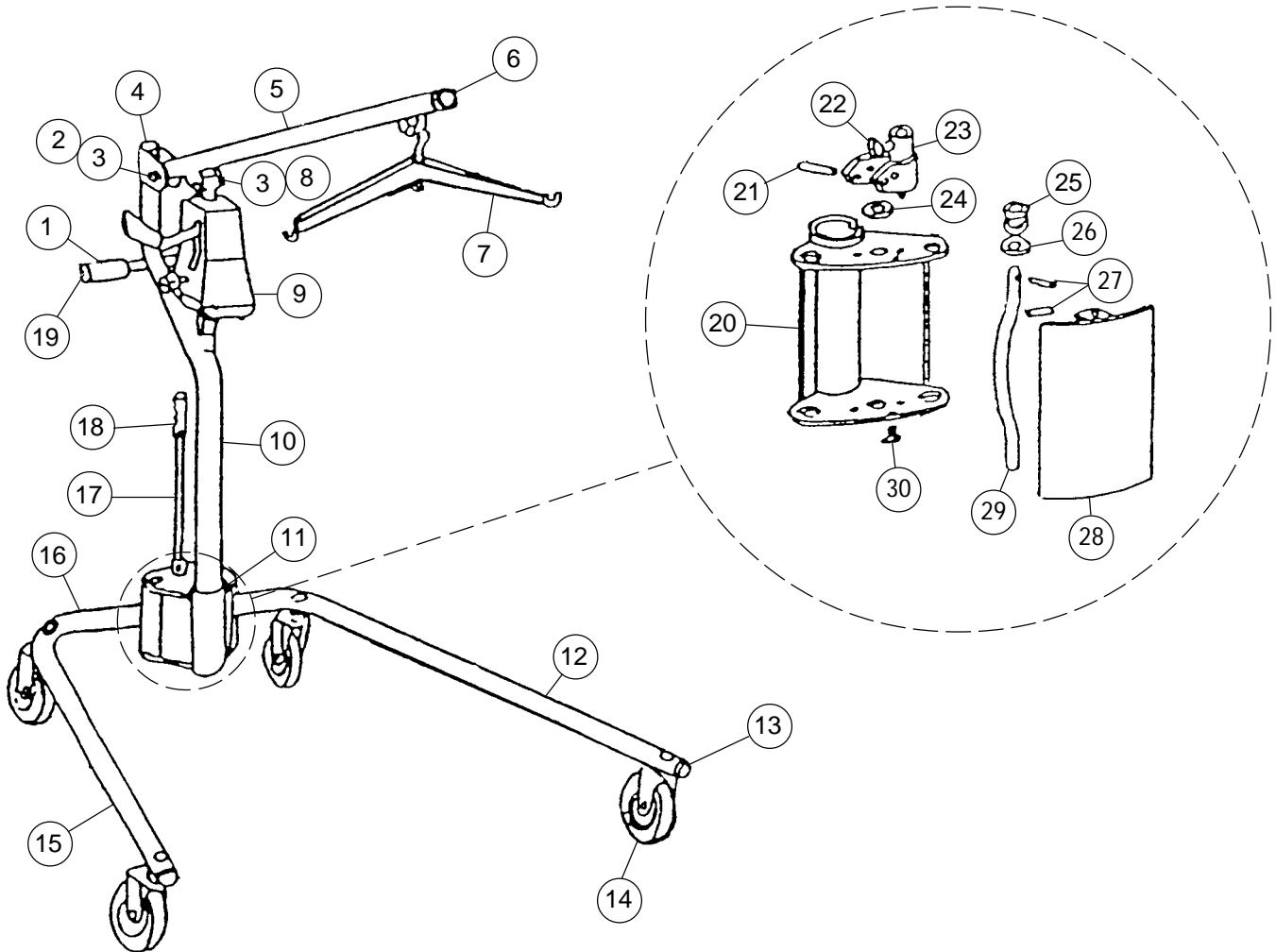


Item Number	Part Number	Description	Quantity Per	
			Package	Assembly
1	1015707	Foam Grip, Grey	1	2
2	1027096	Plug Button, Grey, (7/8")	1	2
3	90003X000	Bolt, (3/8-16 x 2")	1	2
4	40363X000	Locknut, (3/8-16)	1	1
5	60106X038	Warning Decal	1	1
6	1019122	Mast Capm (1-3/4")	1	1
7	1012062 NLA	Boom	1	1
8	90002X000	Bolt, (3/8-16 x 1-1/4")	1	2
9	90005X000	Plug Button, (1-1/2")	1	2
10		Swivel Bars		
	9029	Swivel Bar	1	1
	1068992	Retro Fit Kit, (Includes: Hanger w/Urethane jacket, hanger pin, hardware and instruction sheet)	1	1
11	1013945 NLA	Pump	1	1
12	1012066 NLA	Offset Mast	1	1
13	1013134 NLA	Spiral Pin, (1/4 x 2")	1	1
14	1012304 NLA	C-Base Only	1	1
15	⊛ 1015543	Retro Kit, (5") Caster	1	1
16	1014026	Plug Button, Chrome, (2")	1	4
not shown	1011234	Allen Wrench, (3/16")	1	1

⊛ Kit consists of 4ea 1015966 which may be purchased to replace caster in the Retro Kit.

PATIENT LIFT 9917

Discontinued (1/91) - Service Parts Only



PATIENT LIFT 9917

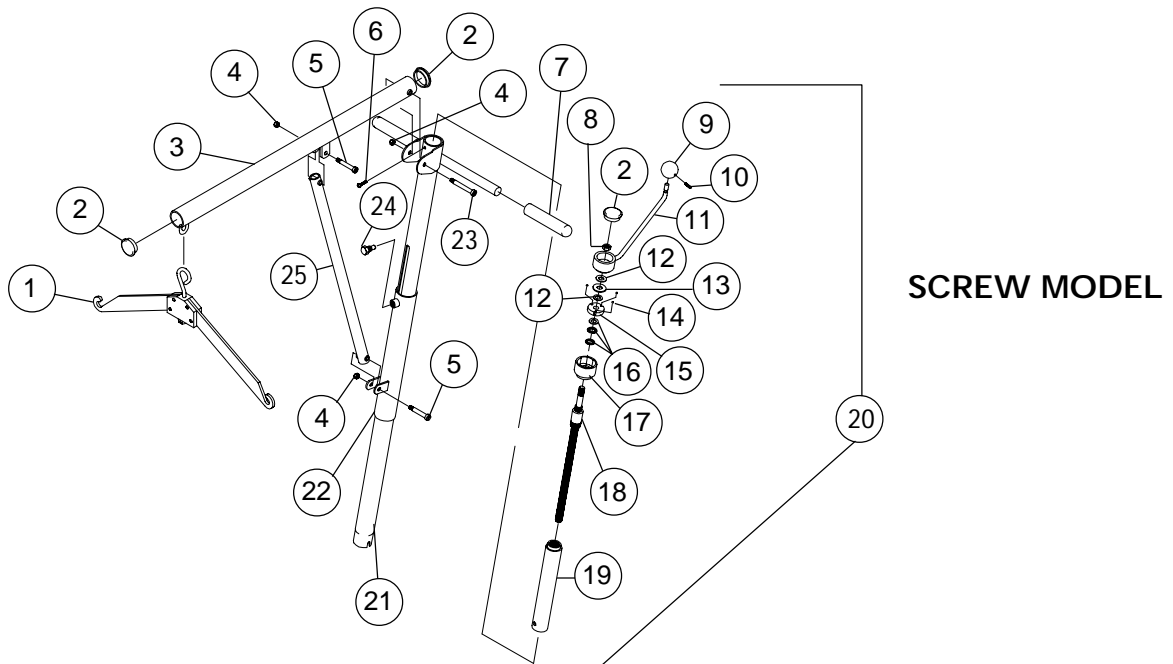
Update 04/01A

Discontinued (1/91) - Service Parts Only (continued)

Item Number	Part Number	Description	Quantity Per	
			Package	Assembly
1	1009008 NLA	Foam Grip, Grey	1	2
2	90003X000	Bolt, Socket Head Shoulder (3/8-16 x 2")	1	1
3	40363X000	Locknut (3/8-16)	1	2
4	60106X038	Warning Decal	1	1
5	1012062 NLA	Boom	1	1
6	90005X000	Plug Button (1-1/2")	1	1
7		Swivel Bars	1	1
	9029	Angled	1	1
	1068992	Retro Fit Kit, (Includes: Hanger w/Urethane Jacket, Hanger Pin, Hardware and Instructions)	1	1
8	90002X000	Bolt, Socket Head Shoulder (3/8-16 x 1-1/4")	1	1
9	1013945 NLA	Pump	1	1
10	1012066 NLA	Offset Mast	1	1
11	1013134 NLA	Spiral Pin	1	1
12		Lift Legs		
	1012060 NLA	Right, Adjustable	1	1
	1012061 NLA	Left, Adjustable	1	1
13	1019122	Mast Cap (1-3/4")	1	1
14	96490X003 NLA	Caster, (5")	1	4
16	1014339 NLA	Adjustable Base	1	1
17	90197X000	Shifter Handle without Grip	1	1
18	90007X000	Hand Grip	1	1
19	1027096	Plug Button, (7/8") - Grey	1	2
20	1014165 NLA	Socket	1	1
21	10800X000	Pin, Roll (1/4 x 1")	1	1
22	7930368	Screw, Thumb (1/4-20 x 1/2")	25	1
23	90202X000	Cam Lock	1	1
24	90136X000	Bushing	1	1
25	90207X000	Spring	1	1
26	90075X000	Washer (43/64 x 1-5/16 x 1/8")	1	1
27	90078X000 NLA	Spring Pin (1/4 x 1")	1	1
	10800X000	Pin, Roll (1/4 x 1")	1	1
28	90201X000	Cover Plate, Rear	1	1
29	90192X000	Cam	1	1
30	12642X000	Screw, Pan Head (#8-18 x 5/8")	1	2
not shown	1011234	Allen Wrench (3/16")	1	1

MAST ASSEMBLIES 9816

Discontinued (3/96) - Service Parts Only



Item Number	Part Number	Description	Quantity Per	
			Package	Assembly
1	9029	Swivel Bar	1	1
2	90006X000	End Cap, Metal, (1-3/4")	1	2
3	1024259 NLA	Boom	1	1
4	12143X000	Locknut, (5/16-18)	1	3
5	1024293	Screw, Shoulder, (3/8 x 1-3/4")	1	2
6	1016932	Screw, Self Tapping, (#8-32 x 1/4")	1	1
7	1015707	Handgrip, Vinyl, (Grey 5")	1	2
8	1024296	Locknut, (1/2-13)	1	1
9	1024249	Knob	1	1
10	1024295	Screw, Set, (#10-24 x 1/2")	1	1
11	1024257	Crank	1	1
12	1024289	Washer, Bearing, (1/2 x 1 x 1/16")	1	2
13	1024491	Washer, Flat, (1/2 x 1-9/16 x 5/64")	1	2
14	90042X000	Ball Bearing, (3/16")	1	3
15	1024253	Clutch	1	1
16	1024290	Bearing, Thrust	1	1
17	1025414	Housing	1	1
18	1024288	Ball Screw	1	1
19	1024267	Pull Tube	1	1
20	1026611	Crank Elevating Assembly (Includes: Items 2,9-20)	1	1
21	1024270	Mast	1	1
22	1024274	Slide Tube	1	1
23	1024294	Screw, Shoulder, (3/8 x 2-1/4")	1	1
24	1024248 NLA	Screw, Hex Head, Cap, (1/2-13 x 1")	1	1
25	1024264	Strut Tube	1	1
not shown	1068992	Retro Fit Kit, (Includes: Hanger w/Urethane jacket, hanger pin, hardware and instruction sheet)	1	1
not shown	10369X000	Hex Key (3/16")	1	1
not shown	1024492	Instruction Sheet	1	1



Yes, you can.™

Invacare Corporation www.invacare.com

One Invacare Way
Elyria, Ohio USA
44036-2125
800-333-6900

Technical Support
800-832-4707
Florida Technical Support
407-321-5630

Customer Service
800-333-6900

Invacare is a registered trademark
of Invacare Corporation.
© 2000 Invacare Corporation

Form No 00-94