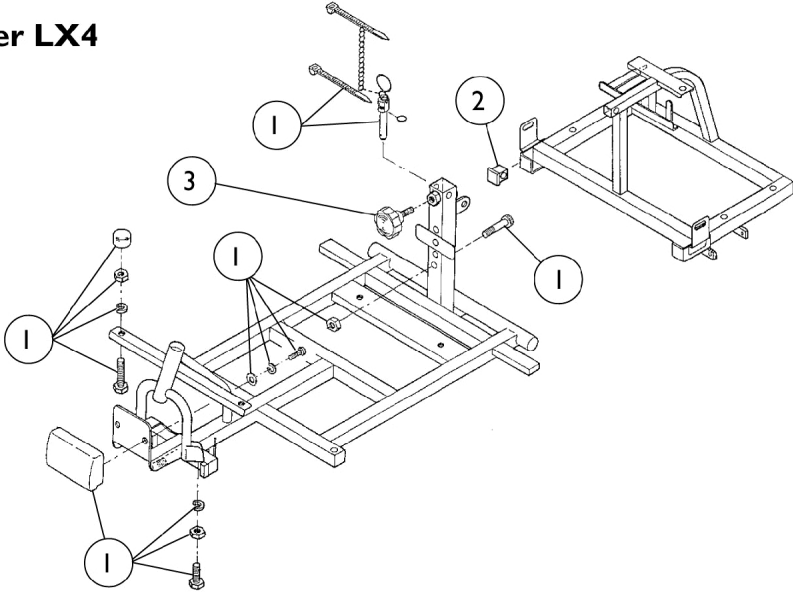


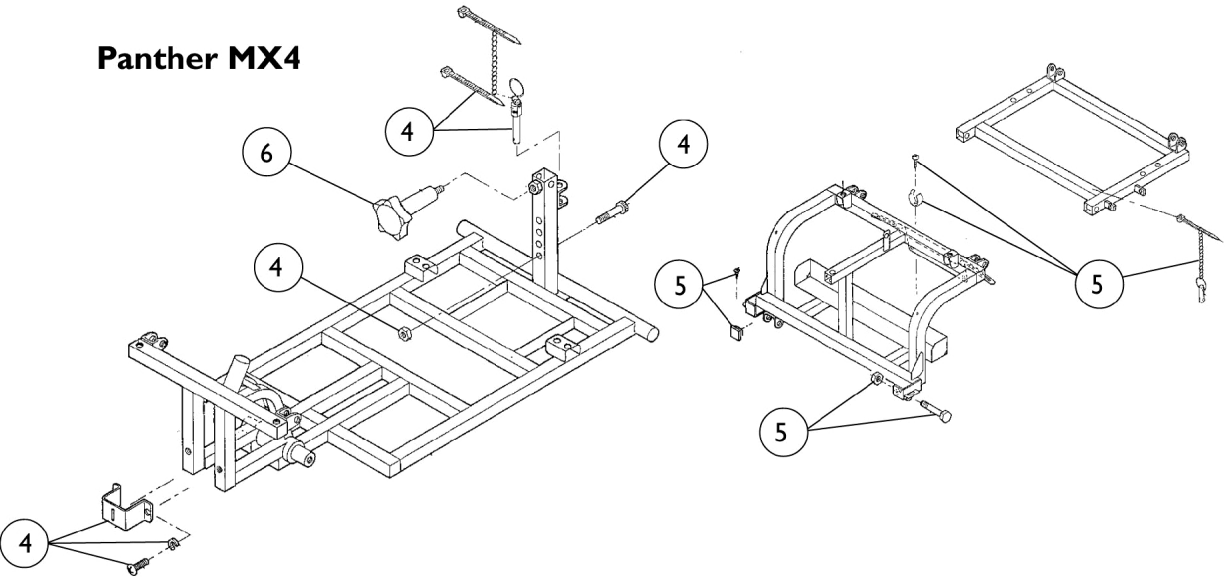
Frame Hardware Panther

Note: All Front and Rear Frames shown for reference only.

Panther LX4



Panther MX4



Frame Hardware Panther

Item Number	Note	Part Number	Description	Quantity Per	
				Package	Assembly
1		1088738-NLA	NLA - Front Frame Hardware-Panther LX4 Includes: 2 each Screw, Hex (M8 x 1.25 x 35) 2 each Screw, Hex (M8 x 1.25 x 25) 4 each Nut (M8 x 13) 4 each Washer, Spring (8 x 13) 2 each Rubber 1 each Bolt, Hex Head (M6 x 1.0 x 40) 1 each Nut, Self-Lock (6 x 10) 2 each Pin, Safety 1 each Cable Tie 1 each Chain 1 each Cushion 2 each Washer (6 x 18 x 1.6) 2 each Washer, Spring (6 x 10) 2 each Screw (M6 x 1.0 x 16)	1	1
2		1088792-NLA	NLA - Hardware, Frame - Rear - Lynx SX3P/SX3/LX3/LX3Plus and Panther LX4 Includes: 1 each Rubber	1	1
3		1088767-NLA	NLA - Knob, Seat Post - Lynx SX3P/SX3/LX3/LX3Plus and Panther LX4	1	1
4		1091138-NLA	NLA - Hardware, Frame, Front - Panther MX4 Includes: 1 each Bracket 2 each Screw (M6 x 1.0 x 16) 2 each Washer, Spring (6 X 10) 2 each Pin, Safety 2 each Cable Tie 1 each Chain 1 each Bolt, Hex Head (M6 x 1.0 x 40) 1 each Nut, Self-Lock (6 x 1.0 x10)	1	1
5		1091139-NLA	NLA - Hardware, Frame, Rear - Panther MX4 Includes: 1 each Rubber 2 each Bolt (M8 x 1.25 x 45) 2 each Nut, Self-Lock (8 x 1.25 x 13) 2 each Pin, Connecting 1 each Cable Tie 1 each Chain 1 each Bind Ring 1 each Screw, SelfTapping (M4 x 15)	1	1
6		1091859-NLA	NLA - Knob, Seat Post - Panther MX4	1	1