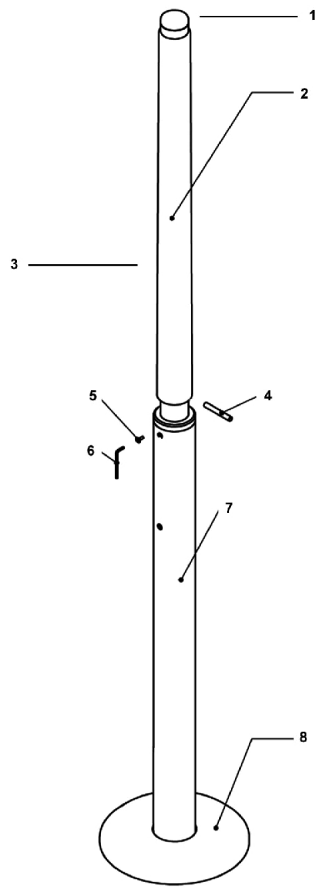


Advantage Pole

PARTS DIAGRAM: ADVANTAGE POLE



Advantage Pole

| Item Number | Note | Part Number | Description | Quantity Per | |
|-------------|------|-------------|--|--------------|----------|
| | | | | Package | Assembly |
| 1 | | AR133 | Plastic Plug | 1 | 1 |
| 2 | | GR-101 | Grip, 20" | 1 | 1 |
| 3 | | AR405 | Assembly, Pole, Advantage Pole | 1 | 1 |
| 4 | | AR110 | Pin, Shortened | 1 | 1 |
| 5 | | HW100 | Screw | 1 | 1 |
| 6 | | HW300 | Allen Key, Short Arm (3/32") | 1 | 1 |
| 7 | | AR401 | Assembly, Mast | 1 | 1 |
| 8 | | AR103C | Base Cover | 1 | 1 |
| Not Shown | | AR131 | Pole Bushing, Top | 1 | 1 |
| Not Shown | | AR501 | Parts Pack, Advantage Pole | 1 | 1 |
| Not Shown | | AR-AR-CK | Convert Advantage Pole to Advantage Rail | 1 | 1 |