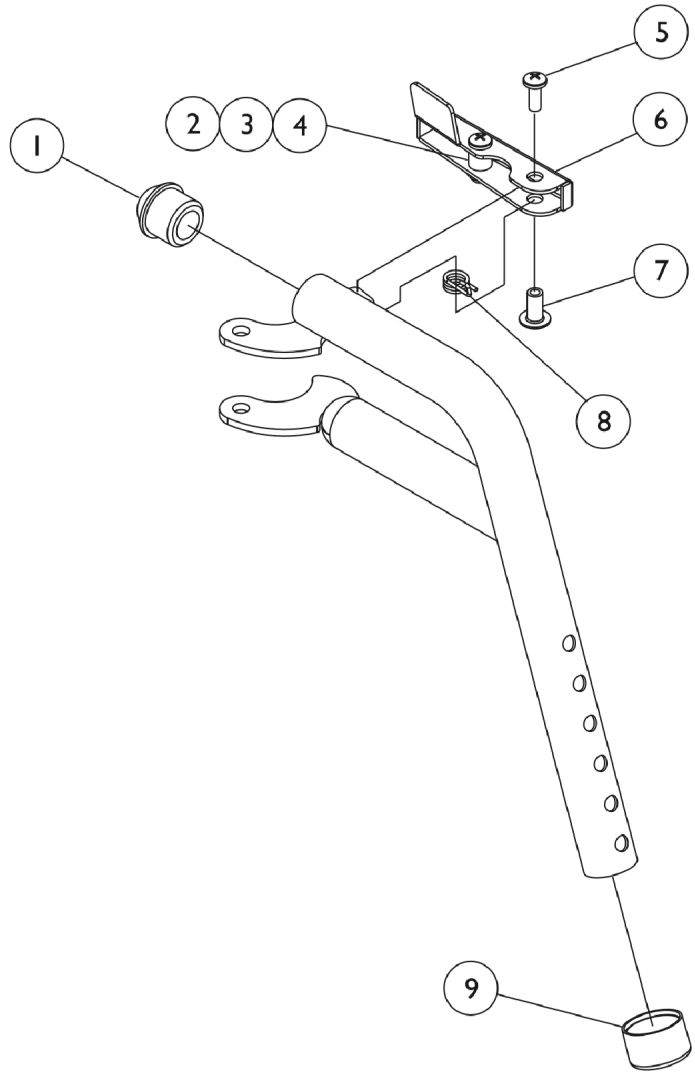
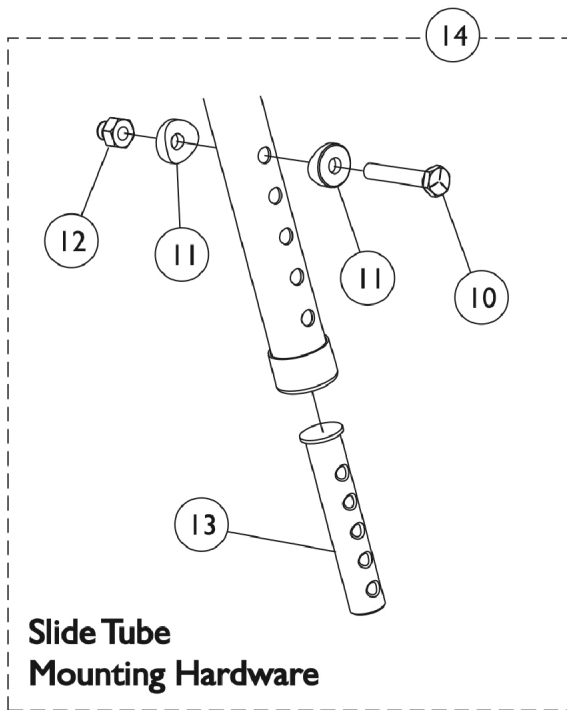


PHW93 (Hemi) Footrest Supports

Before 1/6/03
Black



PHW93 (Hemi) Footrest Supports

Before 1/6/03

Black

Item Number	Note	Part Number	Description	Quantity Per	
				Package	Assembly
1		1020719	Anti-Rattle, Black	1	1
2		1025716	Screw, Phillips Pan Head (#10-32 x 11/16")	1	1
3		47565X057	Bushing (7/32 x 3/8 x 11/32")	1	1
4		1025735	Locknut (#10-32)	1	1
5		1026114	Screw, Phillips Pan Head (#10-32 x 1/2")	1	1
6	A	1113033	NLA - Handle, Release w/ Hardware, Black - Right	1	1
6	A	1113034-NLA	NLA - Handle, Release, Black - Left	1	1
7		1028846-NLA	NLA - Rivnut (#10-32)	1	1
8		1028707	Spring, Release - Right	1	1
8		1028708	Spring, Release - Left	1	1
9		15680X012	Collar, Anti-Rattle (7/8")	1	1
10		1070759	Screw, Hex Head (1/4-20 x 1-1/2")	1	1
11		1026099	Spacer, Coved (1/4 x 11/16 x 1/2")	1	2
12		1044214	Nut, Hex with Nylon Cap (1/4-20)	1	1
13	C	1020534	Insert, Threaded	1	1
14	B	1074143	Kit, Slide Tube Mounting Hardware	1	1
	B	1114790-NLA	NLA - Footrest Support Assembly, Hemi, Black - Right	1	1
	B	1114791	Footrest Support Assembly, Hemi, Black - Left	1	1

NOTE: A - Includes items 2-4
B - Not Shown
C - As of 8/15/03, the Threaded Insert was revised from 3 to 5 Holes. Threaded Insert is Backward Compatible and does not require ordering in Pairs.