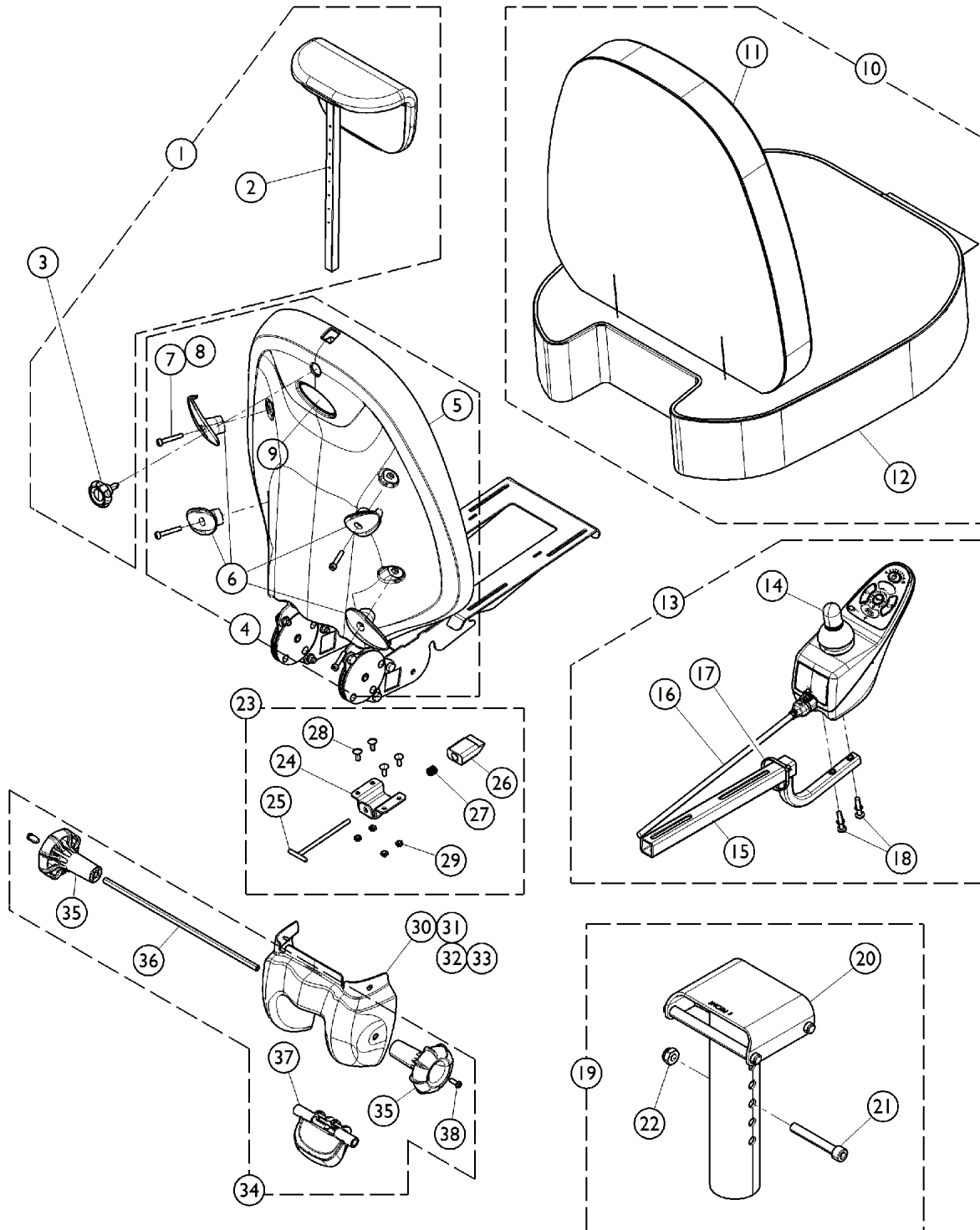


Seating and SPJ+ Joystick Components

NOTE: Pocket Storage Pouch is not available for sale as an individual part



Seating and SPJ+ Joystick Components

NOTE: Pocket Storage Pouch is not available for sale as an individual part

Item Number	Note	Part Number	Description	Quantity Per	
				Package	Assembly
1	A	1178725-NLA	NLA - Kit, Headrest	1	1
2			Headrest Assembly	1	1
3		1179376-NLA	NLA - Package, Adjustment Knobs	1	1
			Knob w/ Threaded Stud (M8 x 1.25 x 20mm)	3	1
4	B	1179380-NLA	NLA - Kit, Back Cover w/ Hardware	1	1
5			Shell, Outer Seat Back	1	1
6			Hook, Back Accessories	1	4
7			Screw, Socket Head Cap (M6 x 1 x 35mm)	1	4
8			Locknut (M6 x 1mm)	1	4
9			Decal, Invacare Medallion, Reflective - Large	1	1
4	C	1179399	Kit, Back Accessory Hooks w/o Shell	1	1
6			Hook, Back Accessories	1	4
7			Screw, Socket Head Cap (M6 x 1 x 35mm)	1	4
8			Locknut (M6 x 1mm)	1	4
9			Decal, Invacare Medallion, Reflective - Large	1	1
			Instruction Manual, Joint Cap Shell	1	1
10	D	1179397	Kit, Seat Cushion (18")	1	1
11			Back Assembly w/ Upholstery	1	1
12			Seat Cushion Assembly (18")	1	1
10	D	1179398	Kit, Seat Cushion (20")	1	1
11			Back Assembly w/ Upholstery	1	1
12			Seat Cushion Assembly (20")	1	1
13	E	1179025-NLA	NLA - Kit, Joystick w/ Mounting Hardware	1	1
14			Joystick, SPJ+	1	1
15			Joystick Mounting Arm	1	1
16			Cable, Joystick SPJ+	1	1
17			Tie Wrap (5-5/8" L)	1	1
18			Screw, Phillips Pan Head (M5 x 0.8 x 25mm)	1	2
			Instruction Manual, Joystick	1	1
19	F	1179368-NLA	NLA - Kit, Seat Post w/ Hardware	1	1
20			Upper Seat Post Assembly	1	1
21			Screw, Socket Head Cap (M10 x 1.5 x 70mm)	1	1
22			NLA - Locknut (M10 x 1.5)	1	1
23	G	1179379	Kit, Seat Latch Mechanism	1	1
24			Bracket, Seat Latch	1	1
25			Pull, Latch	1	1
26			Pawl, Latch	1	1
27			Spring, Compression (12 x 40mm)	1	1
28			Screw, Round Head Square Neck (M6 x 1 x 16mm)	1	4
29			Locknut (M6 x 1mm)	1	4
30	H	1179381	Kit, Joint Cap Shell w/ Hardware	1	1
31			Shell, Joint Cap	1	1
32			Screw, Flat Head Socket (M4 x 0.7 x 12mm)	1	2
33			Locknut (M4)	1	2
			Instruction Manual, Joint Cap Shell	1	1
34	I	1179378	Kit, Repair Mechanism Angle	1	1

Seating and SPJ+ Joystick Components

NOTE: Pocket Storage Pouch is not available for sale as an individual part

Item Number	Note	Part Number	Description	Quantity Per	
				Package	Assembly
35			Knob, Angle Adjustment	1	2
36			Rod, Angle Adjustment	1	1
37			Handle, Seat Release	1	1
38			Screw, Socket Button Head Cap (M6 x 1 x 16mm)	1	2
NOTE: A - Kit includes items 2 and 3. B - Kit includes items 5 - 9. C - Kit includes items 6 - 9 and Instruction Sheet. D - Kit includes items 11 and 12. E - Kit includes items 14 - 18 and Instruction Sheet. F - Kit includes items 20 - 22 and Instruction Sheet. G - Kit includes items 24 - 29. H - Kit includes items 31 - 33 and Instruction Sheet. I - Kit includes items 35 - 38.					