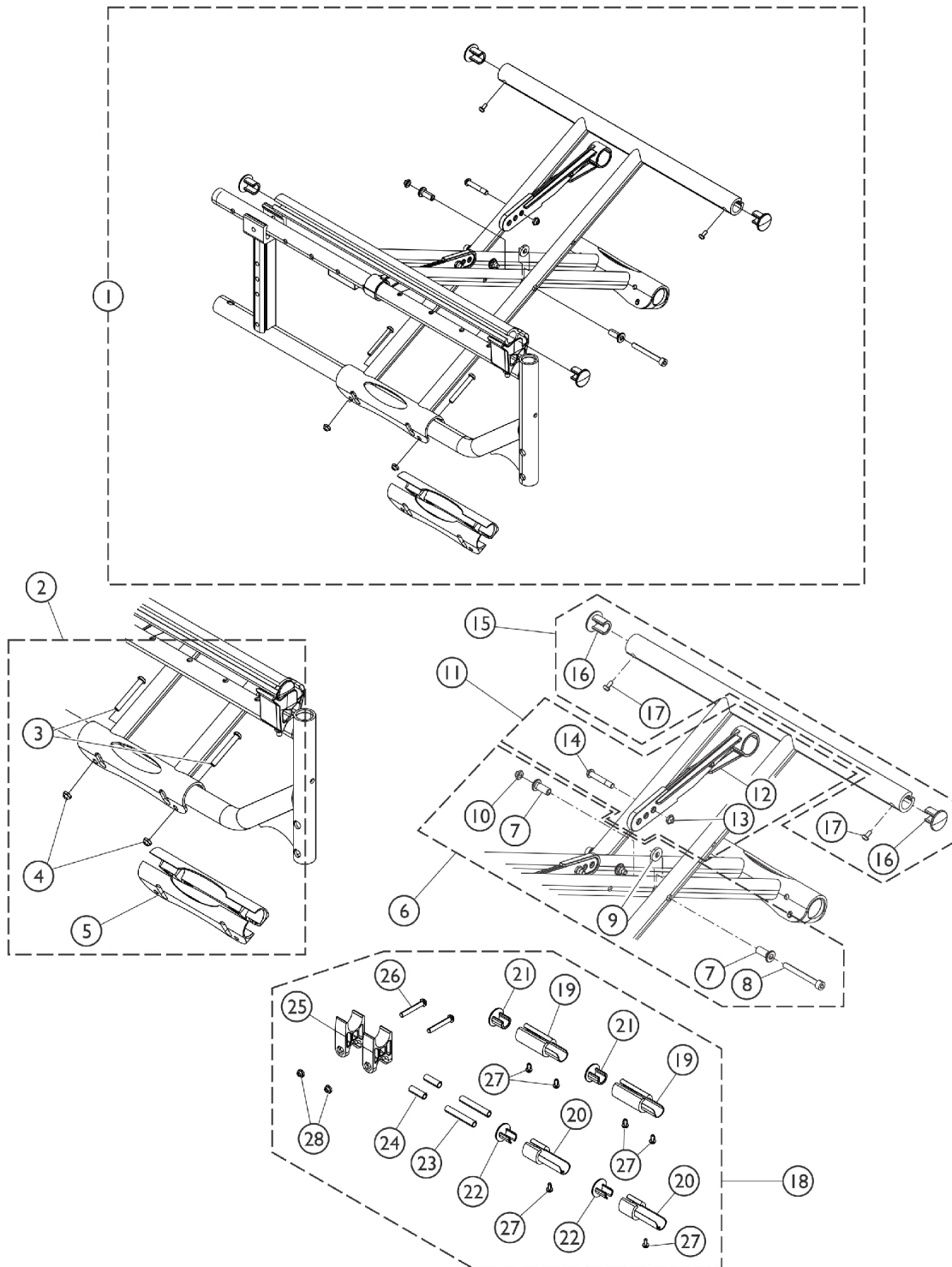


Crossbrace Assembly - Myon Active (15 - 19" W)



Crossbrace Assembly - Myon Active (15 - 19" W)

Item Number	Note	Part Number	Description	Quantity Per	
				Package	Assembly
1		See Chart	#1 Crossbrace Assembly w/ Hardware - Myon	1	1
2	A	1173766	Kit, Saddle Clamp w/ Hardware (Pair)	1	1
3			Clamp, Saddle, Crossbar	1	2
4			Screw (M6 x 45mm)	1	4
5			NLA - Locknut (M6 x 1)	1	4
6	B	1173775	Kit, Crossbrace Bolt w/ Hardware (Pair)	1	1
7			Insert, Crossbrace	1	4
8			Screw, Socket Head, Cap (M6 x 55mm, 12.9)	1	2
9			Washer, Crossbrace	1	2
10			NLA - Locknut (M6 x 1)	1	4
11	F	1423416	Link, Pivot, Crossbrace (18 - 20" W)	1	2
11	C	1173780	Kit, Pivot Link w/ Hardware (15 - 17" W) (Pair)	1	1
12			Link, Pivot, Crossbrace (15-17" W)	1	2
13			Screw, Socket Head, Cap (M6 x 35mm)	1	2
14			NLA - Locknut (M6 x 1)	1	2
15	D	1173774-NLA	NLA - Kit, Plug Buttons w/ Hardware	1	1
16			NLA - Plug Button	1	4
17			NLA - Screw, Phillips Pan Head (M3.5 x .6 x 9.5mm)	1	4
18	E	1172274	Kit, Seat Rail Extensions (16 - 18" D)	1	1
19			Extension, Seat Rail (2")	1	2
20			Extension, Seat Rail (1")	1	2
21			NLA - Plug Button	1	2
22			Cap, Extension, Seat Rail (1")	1	2
23			Rod, Upholstery (2")	1	2
24			Rod, Upholstery (1")	1	2
25			Guide, Seat	1	2
26			NLA - Screw, Socket Button Head (M6 x 40mm)	1	2
27			NLA - Screw, Phillips Pan Head (M3.5 x .6 x 9.5mm)	1	6
28			NLA - Locknut (M6 x 1)	1	2
			Instruction Sheet, Seat Rail Extensions	1	1

NOTE: A - Kit includes items 3, 4, and 5.
 B - Kit includes items 7 - 10.
 C - Kit includes items 12, 13, and 14.
 D - Kit includes items 16 and 17.
 E - Kit includes items 19 - 28 and Instruction Sheet.
 F - NOTE: Kit #1173768 is No Longer Available. Part # 1423416 is the Crossbrace Link only!. Customer must use existing Attaching Hardware.

#1 Crossbrace Assembly w/ Hardware - Myon

Seat Width	15" W	16" W	17" W	18" W	19" W
D16	1449961	1449789	1449790	1449791	1449792
D17	1169092	1169093	1169094	1169095	1169096
D18-SDR1618	1449794	1449795	1449796	1449797	1449798
D20	N/A	N/A	1169109	1169110	1169111

Crossbrace Assembly - Myon Active (15 - 19" W)
