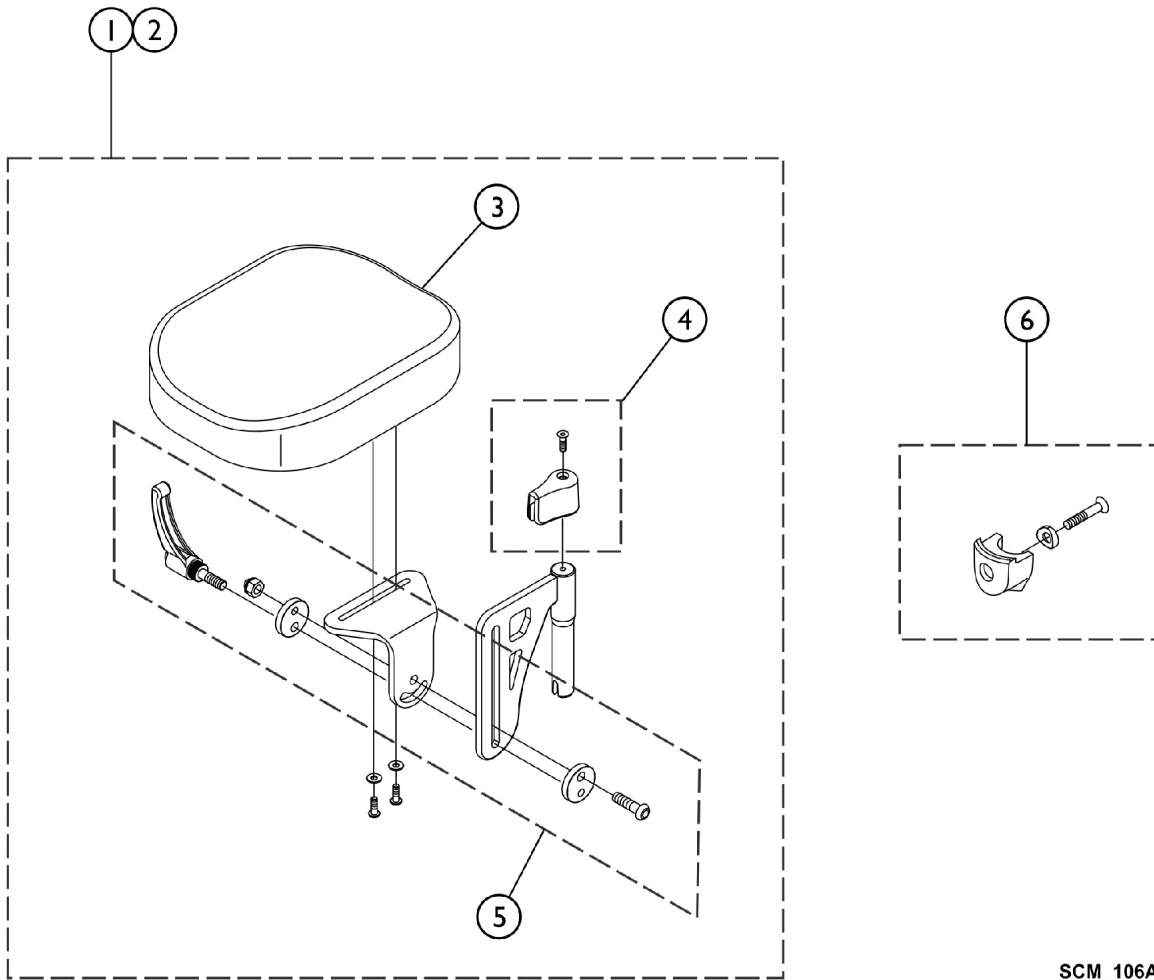


Front Riggings - Amputee Legrest (AMPSPTP)



SCM_106A

| Item Number | Note | Part Number | Description | Quantity Per | |
|-------------|------|-------------|---|--------------|----------|
| | | | | Package | Assembly |
| 1 | A | SP1442991 | Amputee, Legrest Support - Left | 1 | 1 |
| 2 | A | SP1442990 | Amputee, Legrest Support - Right | 1 | 1 |
| 3 | | SP1497450 | Cushion, Amputee Legrest (9-13/16" L x 7-1/16" W) | 1 | 1 |
| 4 | | SP1446556 | Stop, Amputee Legrest w/ Hardware | 1 | 1 |
| 5 | | SP1446557 | Slide, Amputee Legrest w/ Hardware | 1 | 1 |
| 6 | | SP1584380 | Kit, Hanger Locked | 1 | 1 |

NOTE: A - Includes items 3, 4, 5, and 6.